



YAMAHA

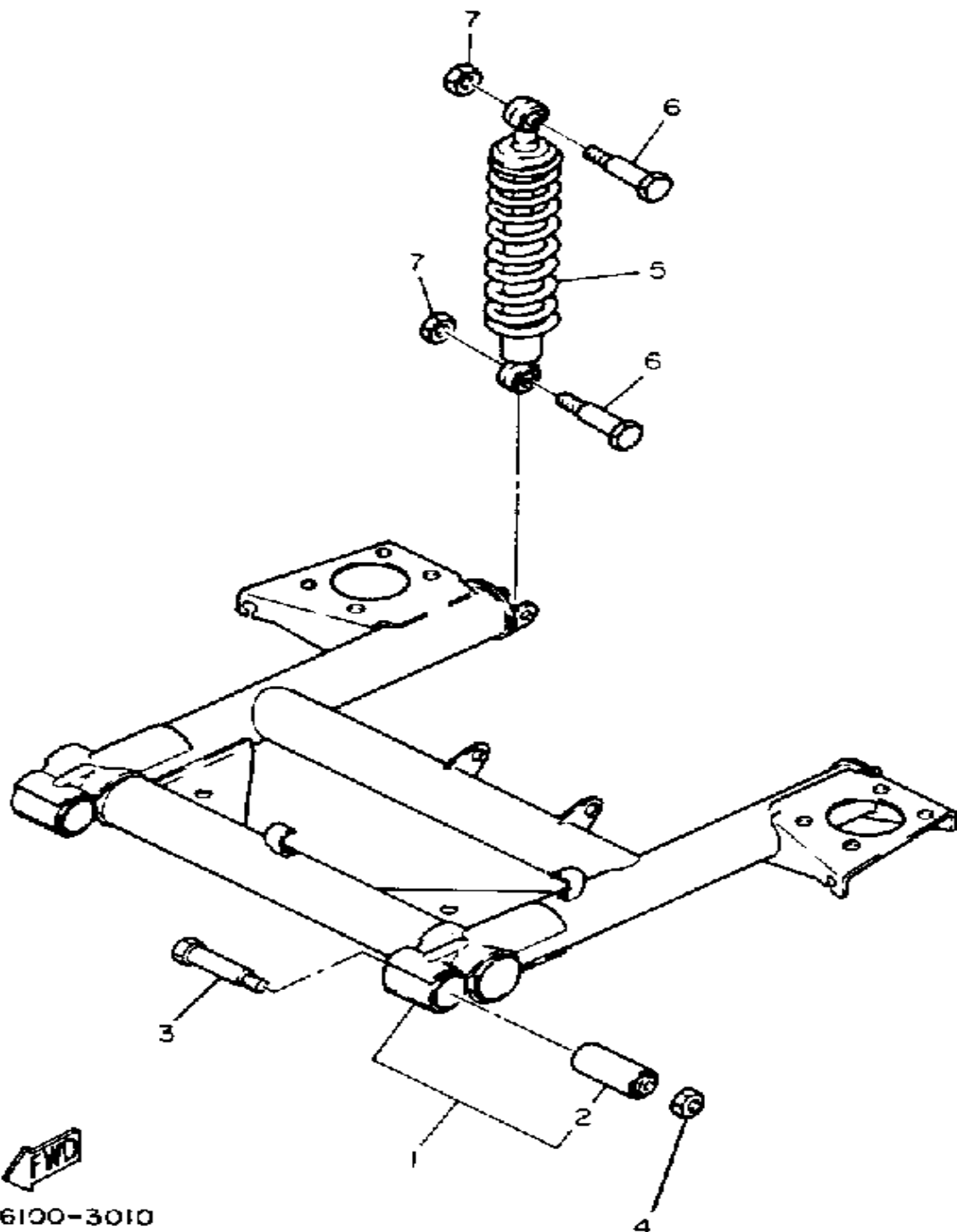
GENUINE

PARTS CATALOGUE

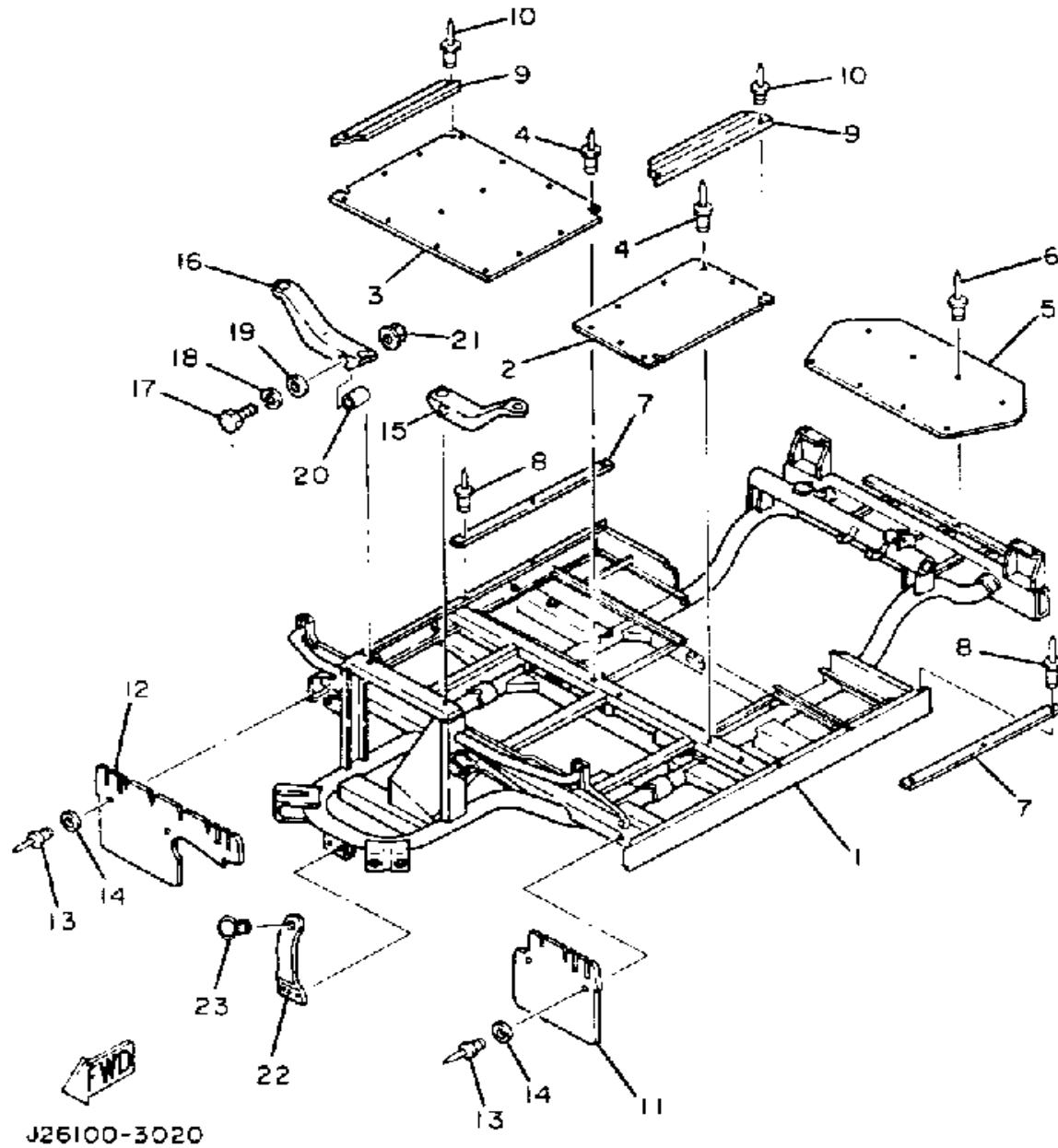
GOLF CAR

REAR SUSPENSION

| Ref. No. | Part Number | Description | Qty | Remarks |
|----------|-----------------|-----------------------------------------------|-----|---------|
| 1 | J14-W2211-00-00 | REAR ARM | 1 | |
| 2 | J10-22123-00-00 | . BUSH 1 | 2 | |
| 3 | 90101-10419-00 | BOLT | 2 | |
| 4 | 95612-10100-00 | NUT, BIND | 2 | |
| 5 | J14-22210-00-00 | SHK/ABS ASSEMBLY, REARASSEMBLY, REAR | 2 | |
| 6 | 97313-10050-00 | BOLT, HEXAGON (676) | 4 | |
| 7 | 95601-10100-00 | NUT, U (95602-10100-00) | 4 | |

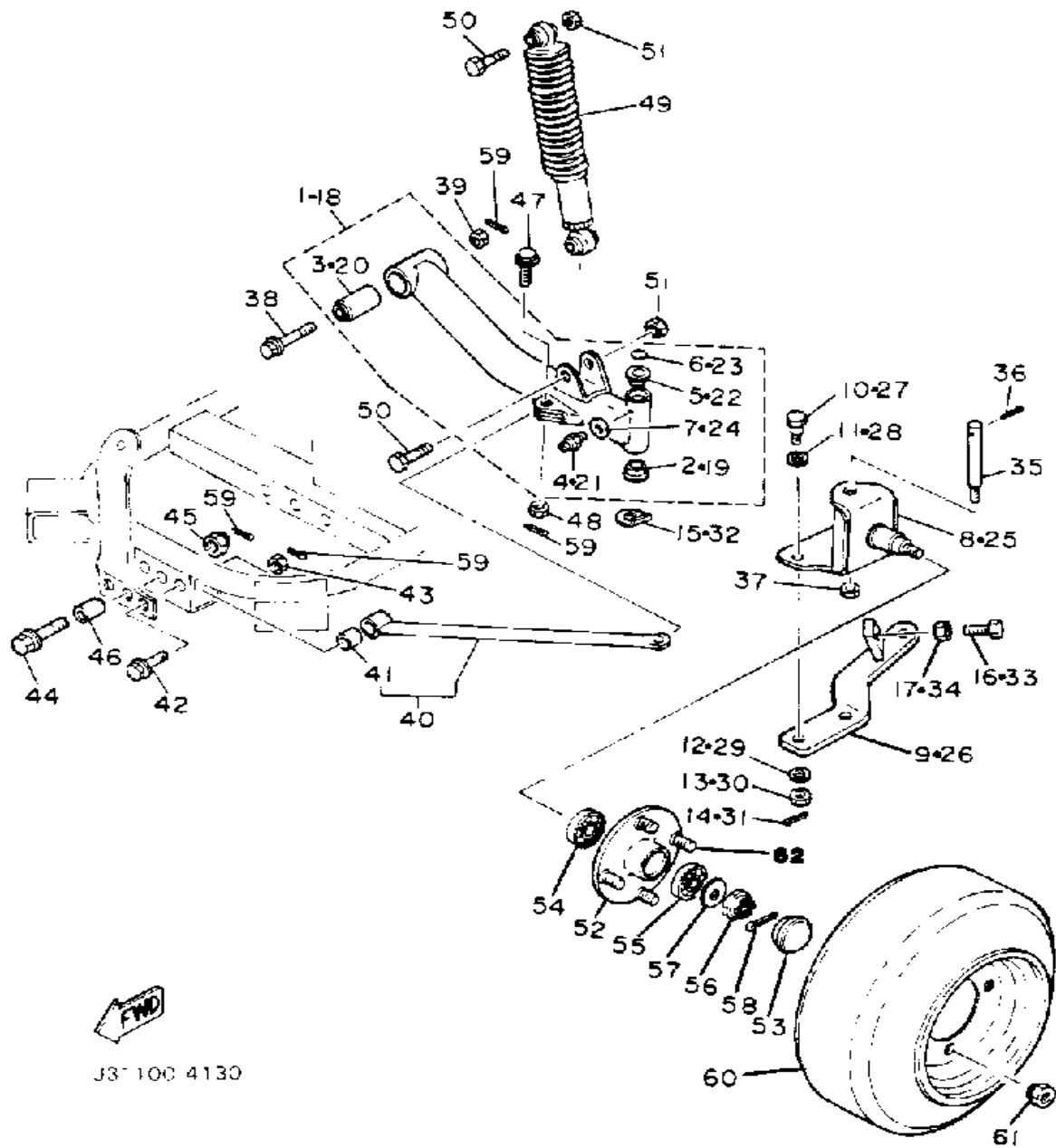


FRAME



| Ref. No. | Part Number | Description | Qty | Remarks |
|----------|-----------------|--------------------------|-----|---------|
| 1 | J22-22501-00-00 | FRAME | 1 | |
| 2 | J42-22571-00-00 | PANEL 1 | 1 | |
| 3 | J42-22572-00-00 | PANEL 2 | 1 | |
| 4 | 90267-40054-00 | RIVET, BLIND | 20 | |
| 5 | J17-22573-00-00 | PANEL 3 | 1 | |
| 6 | 90267-40076-00 | RIVET, BLIND | 8 | |
| 7 | J17-78249-00-00 | TRIM, FLOOR | 2 | |
| 8 | 90267-40090-00 | RIVET, blind | 6 | |
| 9 | J17-78181-00-00 | PLATE 1 | 2 | |
| 10 | 90267-48086-00 | RIVET, BLIND | 4 | |
| 11 | J17-78187-00-00 | FLAP, FRONT FENDER | 1 | |
| 12 | J17-78189-00-00 | FLAP, FRONT RIGHT | 1 | |
| 13 | 90267-40075-00 | RIVET, BLIND | 5 | |
| 14 | 90201-05034-00 | WASHER, PLATE | 5 | |
| 15 | J17-22567-00-00 | SUPPORT 1 | 1 | |
| 16 | J17-22568-00-00 | SUPPORT 2 | 1 | |
| 17 | 97021-08065-00 | BOLT | 2 | |
| 18 | 92990-08100-00 | WASHER | 2 | |
| 19 | 92901-08600-00 | WASHER | 2 | |
| 20 | 90387-090G6-00 | COLLAR | 2 | |
| 21 | 95701-08500-00 | NUT, FLANGE | 2 | |
| 22 | J17-2258E-00-00 | SUPPORT, COWL | 1 | |
| 23 | J11-77279-01-00 | DAMPER, NOISE 9 | 1 | |

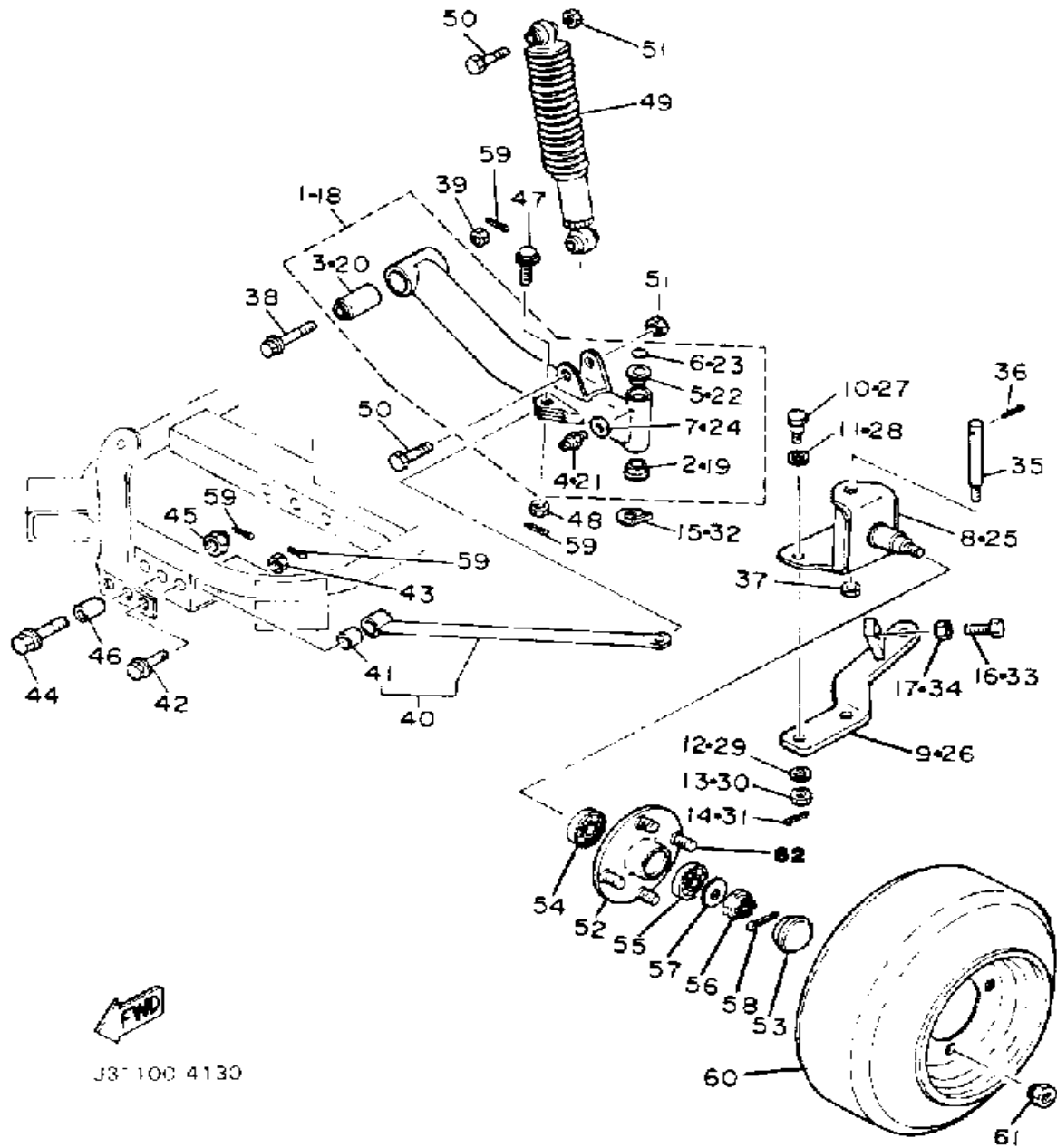
FRONT SUSPENSION-WHEEL



| Ref. No. | Part Number | Description | Qty | Remarks |
|----------|-----------------|-------------------------------|-----|---------|
| 1 | J42-W2351-00-00 | FRONT LOWER ARM LHCOMP. (L.H) | 1 | |
| 2 | 90381-15032-00 | . BUSH, SOLID | 1 | |
| 3 | J10-23526-00-00 | . BUSH | 1 | |
| 4 | 93700-06M03-00 | . NIPPLE, GREASE | 1 | |
| 5 | 90381-15040-00 | . BUSH, SOLID | 1 | |
| 6 | 93210-15566-00 | . O-RING | 1 | |
| 7 | 90201-067F9-00 | . WASHER, PLATE | 1 | |
| 8 | J17-23510-00-00 | KNUCKLE, STEERING 1 | 1 | |
| 9 | J11-23512-00-00 | ARM, KNUCKLE 1 | 1 | |
| 10 | 90109-10643-00 | BOLT | 2 | |
| 11 | 90201-121F0-00 | WASHER, PLATE | 2 | |
| 12 | 90201-105F2-00 | WASHER, PLATE | 2 | |
| 13 | 90171-10035-00 | NUT, CASTLE | 2 | |
| 14 | 91490-25030-00 | PIN, COTTER | 2 | |
| 15 | 90214-16027-00 | WASHER, CLAW | 1 | |
| 16 | 97313-08030-00 | BOLT, HEXAGON | 1 | |
| 17 | 95303-08700-00 | NUT | 1 | |
| 18 | J42-W2352-00-00 | FRONT LOWER ARM RHCOMP (R.H) | 1 | |
| 19 | 90381-15032-00 | . BUSH, SOLID | 1 | |
| 20 | J10-23526-00-00 | . BUSH | 1 | |
| 21 | 93700-06M03-00 | . NIPPLE, GREASE | 1 | |
| 22 | 90381-15040-00 | . BUSH, SOLID | 1 | |
| 23 | 93210-15566-00 | . O-RING | 1 | |
| 24 | 90201-067F9-00 | . WASHER, PLATE | 1 | |
| 25 | J17-23510-00-00 | KNUCKLE, STEERING 1 | 1 | |
| 26 | J11-23522-00-00 | ARM, KNUCKLE 2 | 1 | |
| 27 | 90109-10643-00 | BOLT | 2 | |

CONTINUED ON NEXT FRAME ►

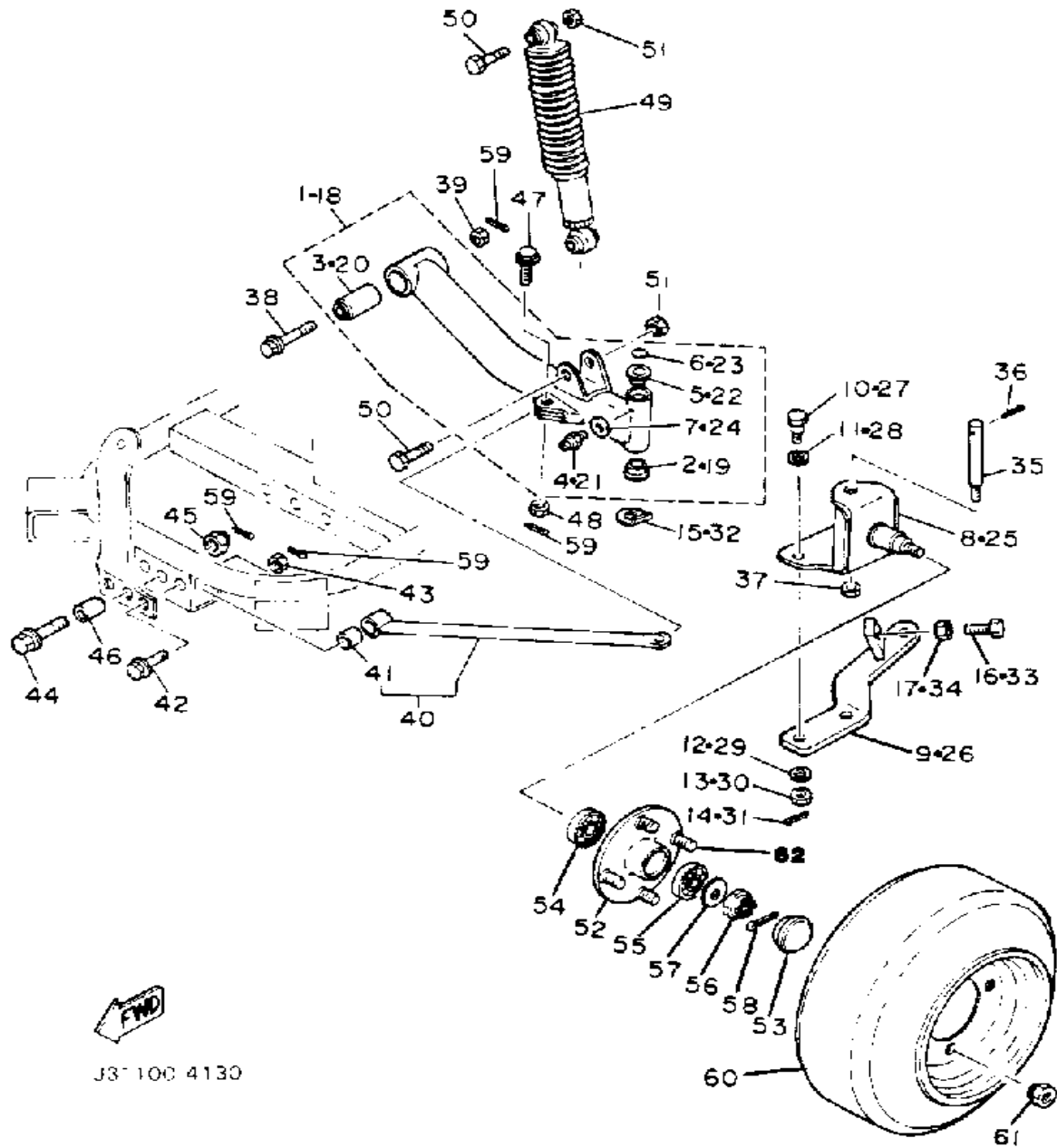
FRONT SUSPENSION-WHEEL



| Ref. No. | Part Number | Description | Qty | Remarks |
|----------|-----------------|-----------------------------------|-----|---------|
| 28 | 90201-121F0-00 | WASHER, PLATE | 2 | |
| 29 | 90201-105F2-00 | WASHER, PLATE | 2 | |
| 30 | 90171-10035-00 | NUT, CASTLE | 2 | |
| 31 | 91490-25030-00 | PIN, COTTER | 2 | |
| 32 | 90214-16027-00 | WASHER, CLAW | 1 | |
| 33 | 97313-08030-00 | BOLT, HEXAGON | 1 | |
| 34 | 95303-08700-00 | NUT | 1 | |
| 35 | J10-23516-02-00 | KING PIN, STRG KNKL | 2 | |
| 36 | 91401-30030-00 | PIN, COTTER | 2 | |
| 37 | 95712-12300-00 | 2 | 2 | |
| 38 | 90105-10224-00 | BOLT, WASHER BASED | 2 | |
| 39 | 95601-10200-00 | NUT, SELF-LOCKING | 2 | |
| 40 | J17-W2355-00-00 | ROD, TENSION | 2 | |
| 41 | J1-02358-31-00 | . UNAVAILABLE IN PRICE BOOK | 1 | |
| 42 | 90105-08225-00 | BOLT, WASHER BASED | 2 | |
| 43 | 95601-08200-00 | NUT, U | 2 | |
| 44 | 90105-12226-00 | BOLT, WASHER BASED | 1 | |
| 45 | 95601-12200-00 | NUT, SELF-LOCKING | 1 | |
| 46 | 90387-137F6-00 | COLLAR | 1 | |
| 47 | 90102-12046-00 | BOLT, WITH HOLE | 2 | |
| 48 | 95601-12200-00 | NUT, SELF-LOCKING | 2 | |
| 49 | J14-23350-00-00 | SHOCK ABSORBER ASSEMBLY | 2 | |
| 50 | 97313-10050-00 | BOLT, HEXAGON (676) | 4 | |
| 51 | 95612-10100-00 | NUT, BIND | 4 | |
| 52 | J17-W2511-00-00 | HUB, FRONT | 2 | |
| 53 | J17-25118-00-00 | COVER, HUB DUST | 2 | |
| 54 | 93306-00511-00 | BEARING | 2 | |

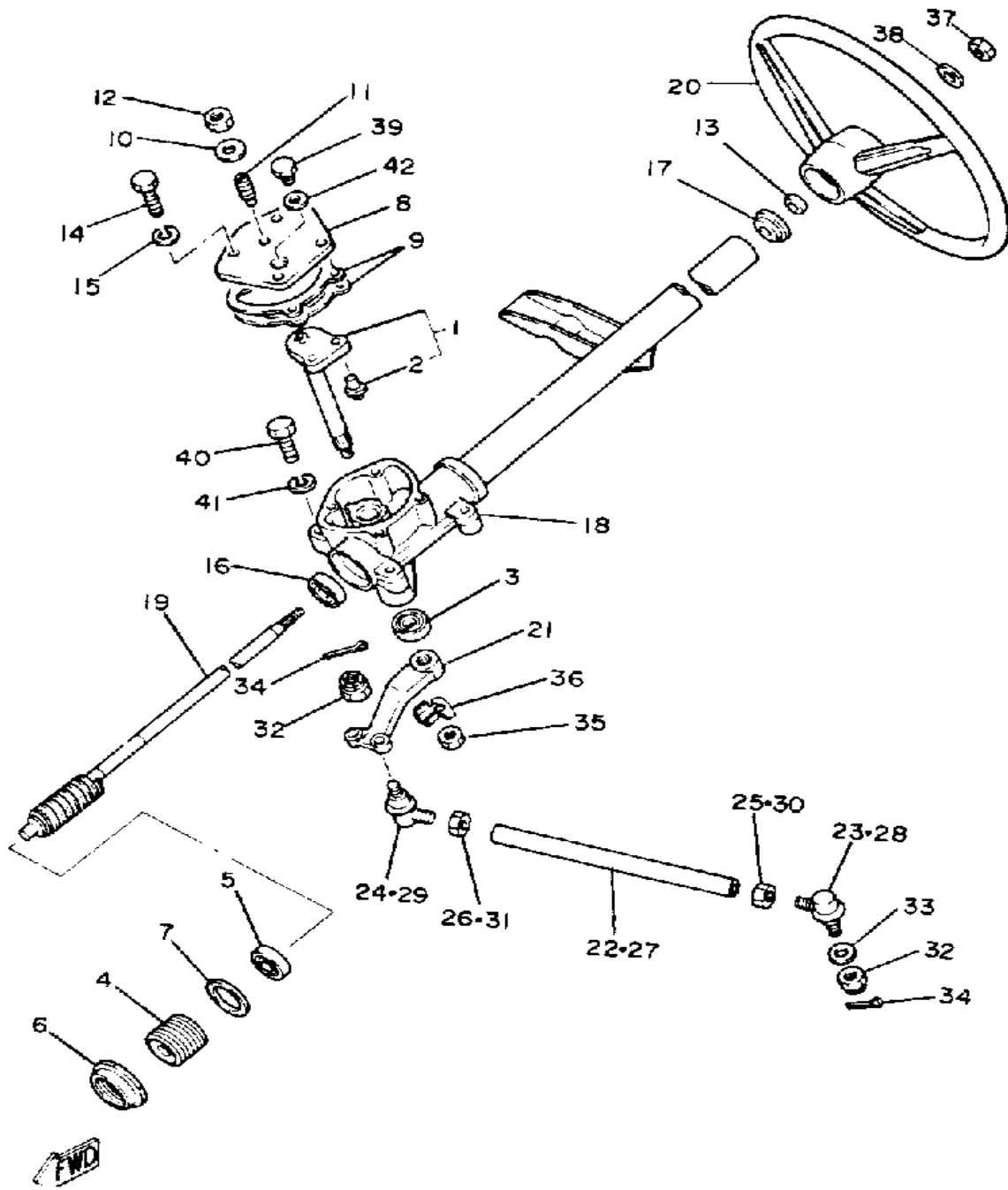
CONTINUED ON NEXT FRAME ►

FRONT SUSPENSION-WHEEL



| Ref. No. | Part Number | Description | Qty | Remarks |
|----------|----------------|---------------------------|-----|---------------|
| 55 | 93306-20437-00 | BEARING | 2 | |
| 56 | 95301-14900-00 | NUT, SLOTTED | 2 | |
| 57 | 90209-14219-00 | WASHER, SPEC'L SHAP | 2 | |
| 58 | 91401-30030-00 | PIN, COTTER | 2 | |
| 59 | 91490-25030-00 | PIN, COTTER | 7 | |
| 60 | *--- | FRONT WHEEL ASSEMBLY .. | 2 | LM (SEE NOTE) |
| 61 | 90179-12262-00 | NUT | 8 | |
| 62 | 90114-12003-00 | BOLT, RIBBED NECK | 8 | |

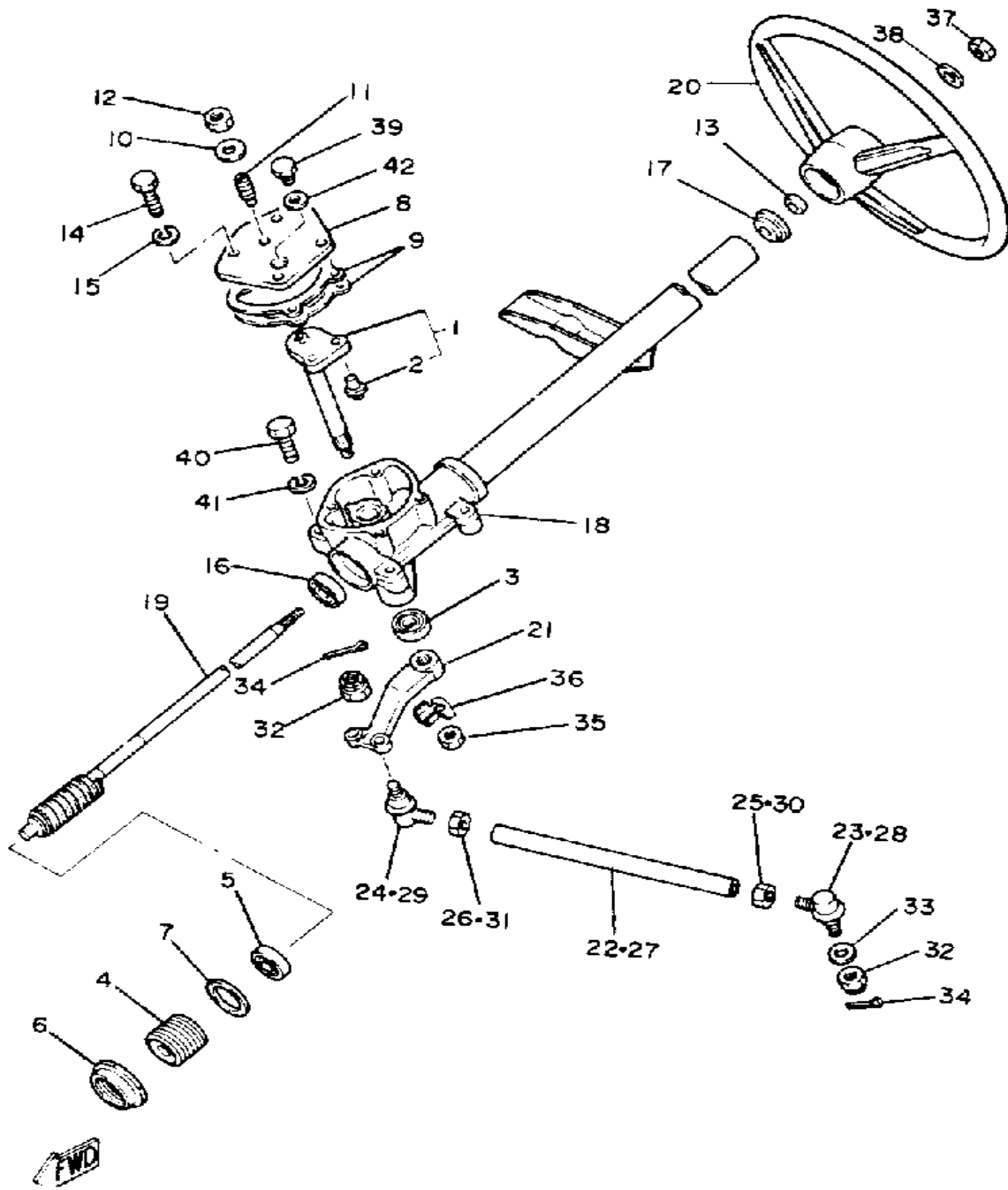
STEERING



| Ref. No. | Part Number | Description | Qty | Remarks |
|----------|-----------------|-----------------------------------|-----|-------------|
| 1 | J24-23816-01-00 | ARM, PITMAN (J24-23816-00) | 1 | |
| 2 | J10-23836-09-00 | . PIN, PITMAN | 2 | |
| 3 | 93102-22087-00 | OIL SEAL | 1 | |
| 4 | J55-F3876-00-00 | BOLT | 1 | |
| 5 | 93332-00010-00 | BEARING | 1 | |
| 6 | J10-23877-00-00 | NUT | 1 | |
| 7 | J10-23444-00-00 | WASHER | 1 | |
| 8 | J10-23818-00-00 | COVER, STEERING | 1 | |
| 9 | J10-23462-00-00 | SEAL, STEERING | 2 | |
| 10 | 90201-08087-00 | WASHER, PLATE | 1 | |
| 11 | J10-23459-00-00 | BOLT | 1 | |
| 12 | 90170-08024-00 | NUT, HEX. | 1 | |
| 13 | 93104-15005-00 | OIL SEAL, SO-TYPE | 1 | |
| 14 | 97313-08020-00 | BOLT, HEXAGON | 4 | |
| 15 | 92990-08100-00 | WASHER | 4 | |
| 16 | 93332-00010-00 | BEARING | 1 | |
| 17 | J10-23814-00-00 | HOLDER, HANDLE UPR | 1 | |
| 18 | J10-23811-01-9E | COLUMN, STEERING | 1 | IVORY WHITE |
| 19 | J10-23840-00-00 | STEERING SHAFT | 1 | |
| 20 | J55-F3838-00-00 | WHEEL, STEERING (J10-23838-00) | 1 | |
| 21 | J24-23826-00-00 | ARM, IDLER | 1 | |
| 22 | J10-23831-00-00 | ROD, TIE | 1 | |
| 23 | J10-23841-10-00 | JOINT, UNIVERSAL 1 | 1 | |
| 24 | J10-23845-10-00 | JOINT, UNIVERSAL 2 | 1 | |
| 25 | 90170-12054-00 | NUT | 1 | |
| 26 | 90170-12055-00 | NUT | 1 | |
| 27 | J10-23831-00-00 | ROD, TIE | 1 | |
| 28 | J10-23841-10-00 | JOINT, UNIVERSAL 1 | 1 | |

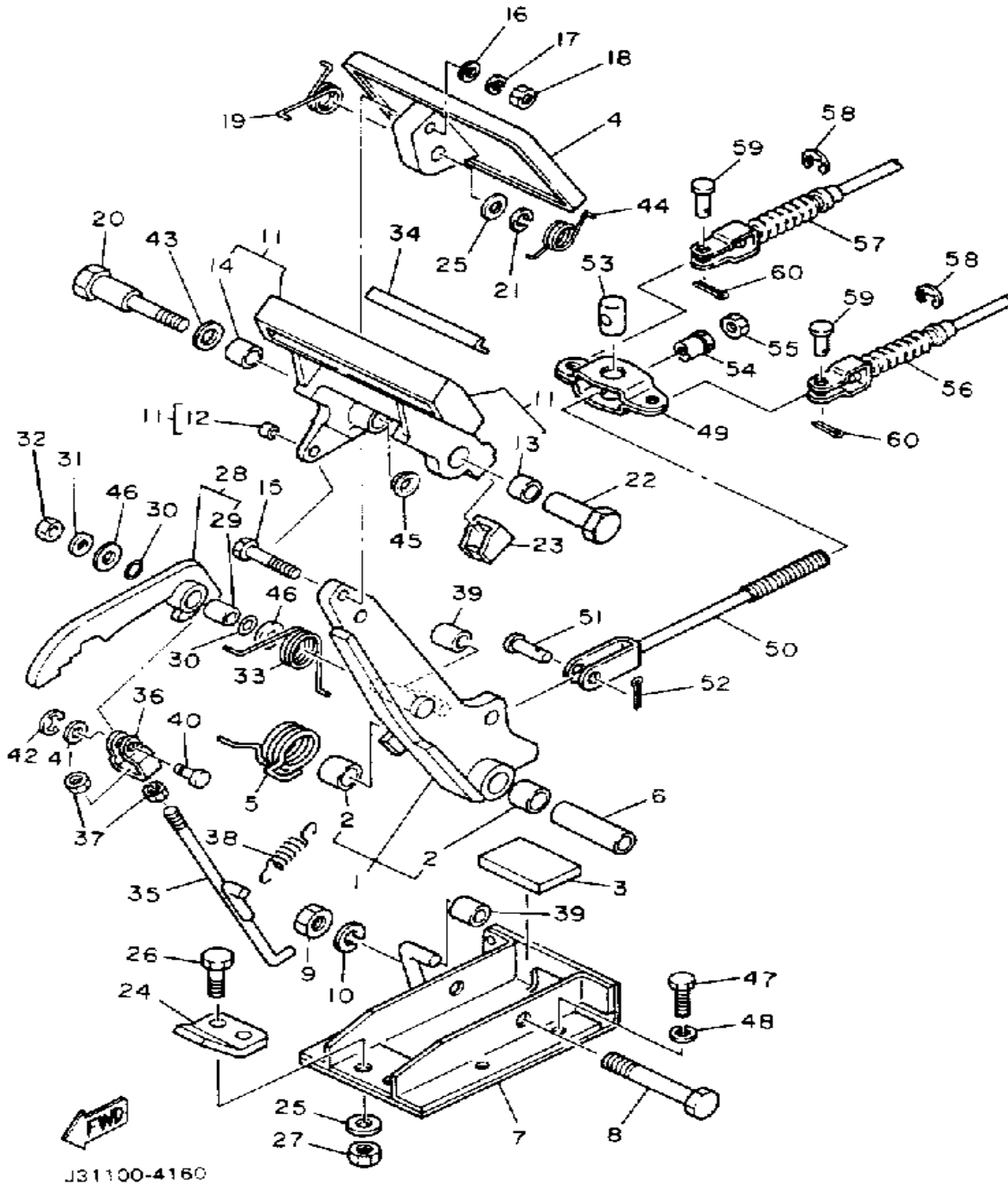
CONTINUED ON NEXT FRAME ►

STEERING



| Ref. No. | Part Number | Description | Qty | Remarks |
|----------|-----------------|----------------------|-----|---------|
| 29 | J10-23845-10-00 | JOINT, UNIVERSAL 2 | 1 | |
| 30 | 90170-12054-00 | NUT | 1 | |
| 31 | 90170-12055-00 | NUT | 1 | |
| 32 | 95301-12900-00 | NUT, SLOTTED | 4 | |
| 33 | 92990-12600-00 | WASHER, PLATE | 2 | |
| 34 | 91401-30030-00 | PIN, COTTER | 4 | |
| 35 | 95701-16300-00 | NUT, FLANGE | 1 | |
| 36 | 90215-16161-00 | WASHER, LOCK | 1 | |
| 37 | 90185-12119-00 | NUT, SELF-LOCKING | 1 | |
| 38 | 92990-12200-00 | WASHER, PLAIN | 1 | |
| 39 | 90340-14029-00 | PLUG, STRAIGHT SCREW | 1 | |
| 40 | 97313-10050-00 | BOLT, HEXAGON (676) | 4 | |
| 41 | 92990-10100-00 | WASHER, SPRING | 4 | |
| 42 | 90430-14175-00 | GASKET | 1 | |

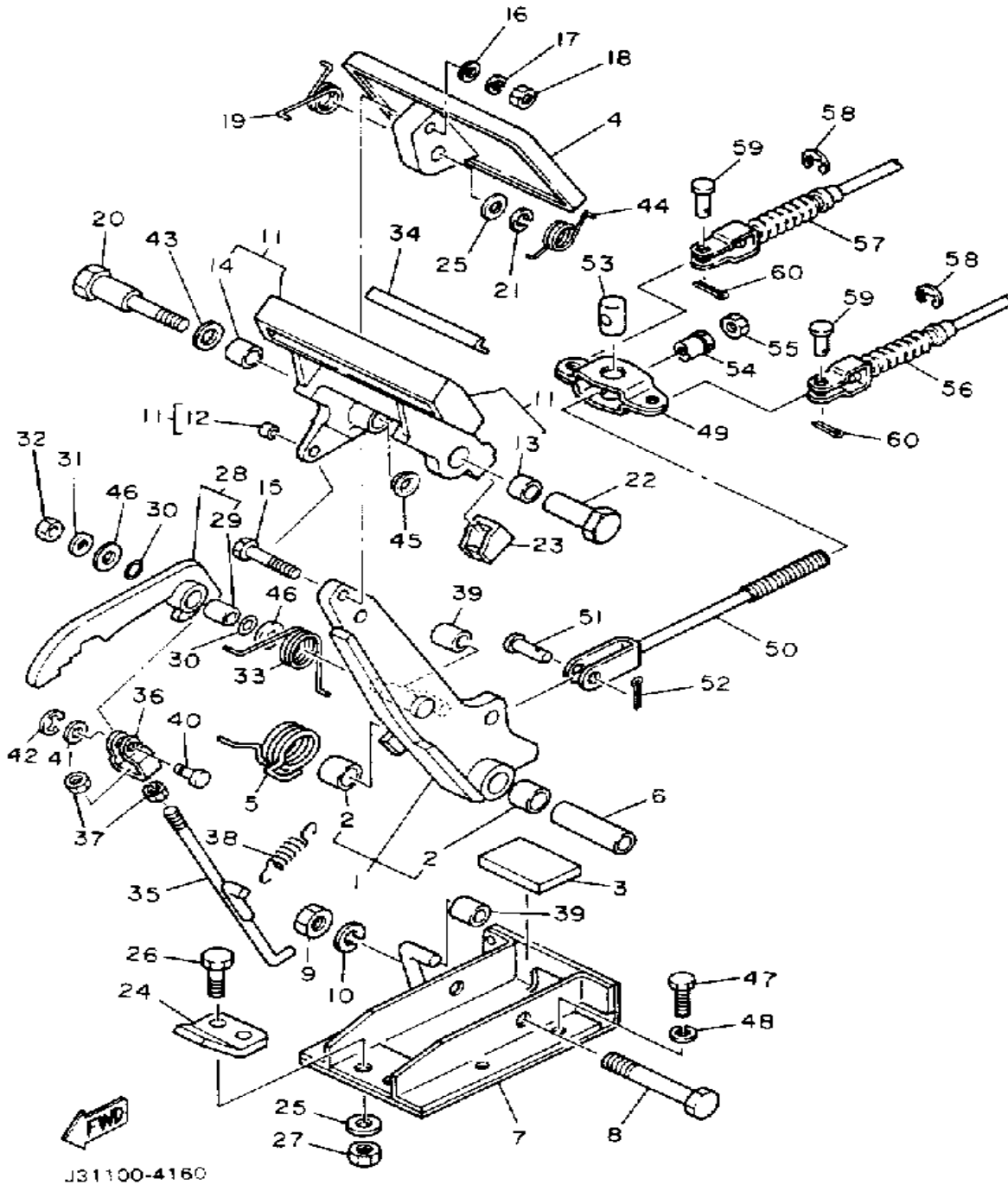
BRAKE



| Ref. No. | Part Number | Description | Qty | Remarks |
|----------|-----------------|---------------------------------------------|-----|---------|
| 1 | 92990-10600-00 | . WASHER, PLATE | 1 | |
| | 99080-07600-00 | . CIRCLIP (E) | 1 | |
| | 99999-01757-00 | BRAKE ARM CMLPT (J17-27250-01) | 1 | |
| | J17-27250-02-00 | . BRAKE ARM COMP. | 1 | |
| 2 | 90384-14080-00 | . BUSH, BIMETAL | 2 | |
| 3 | J17-27245-00-00 | PAD, BRAKE PEDAL | 1 | |
| 4 | J10-27211-00-00 | PEDAL, BRAKE | 1 | |
| 5 | 90508-40543-00 | SPRING, TORSION | 1 | |
| 6 | 90387-107F8-00 | COLLAR | 1 | |
| 7 | J17-25654-00-00 | BRACKET, PEDAL | 1 | |
| 8 | 90101-10447-00 | BOLT, HEX. | 1 | |
| 9 | 95601-10100-00 | NUT, U (95602-10100-00) | 1 | |
| 10 | 92990-10100-00 | WASHER, SPRING | 1 | |
| 11 | 99999-01799-00 | PARKING PEDAL COMP. (J17-25670-00) | 1 | |
| 12 | 90384-05163-00 | . BUSH, BIMETAL | 1 | |
| 13 | 90384-12164-00 | . BUSH, BIMETAL | 1 | |
| 14 | 90380-12051-00 | . BUSH, SOLID | 1 | |
| 15 | 90101-06555-00 | BOLT, HEX. | 1 | |
| 16 | 92990-06200-00 | WASHER | 1 | |
| 17 | 92995-06100-00 | WASHER, SPRING | 1 | |
| 18 | 95380-06600-00 | NUT | 1 | |
| 19 | 90508-23542-00 | SPRING, TORSION | 1 | |
| 20 | 90109-08669-00 | BOLT | 1 | |
| 21 | 92990-08100-00 | WASHER | 1 | |
| 22 | 90179-08378-00 | NUT | 1 | |
| 23 | J17-25679-01-00 | DAMPER | 1 | |
| 24 | J17-27246-00-00 | NAIL, BRAKE | 1 | |

CONTINUED ON NEXT FRAME ►

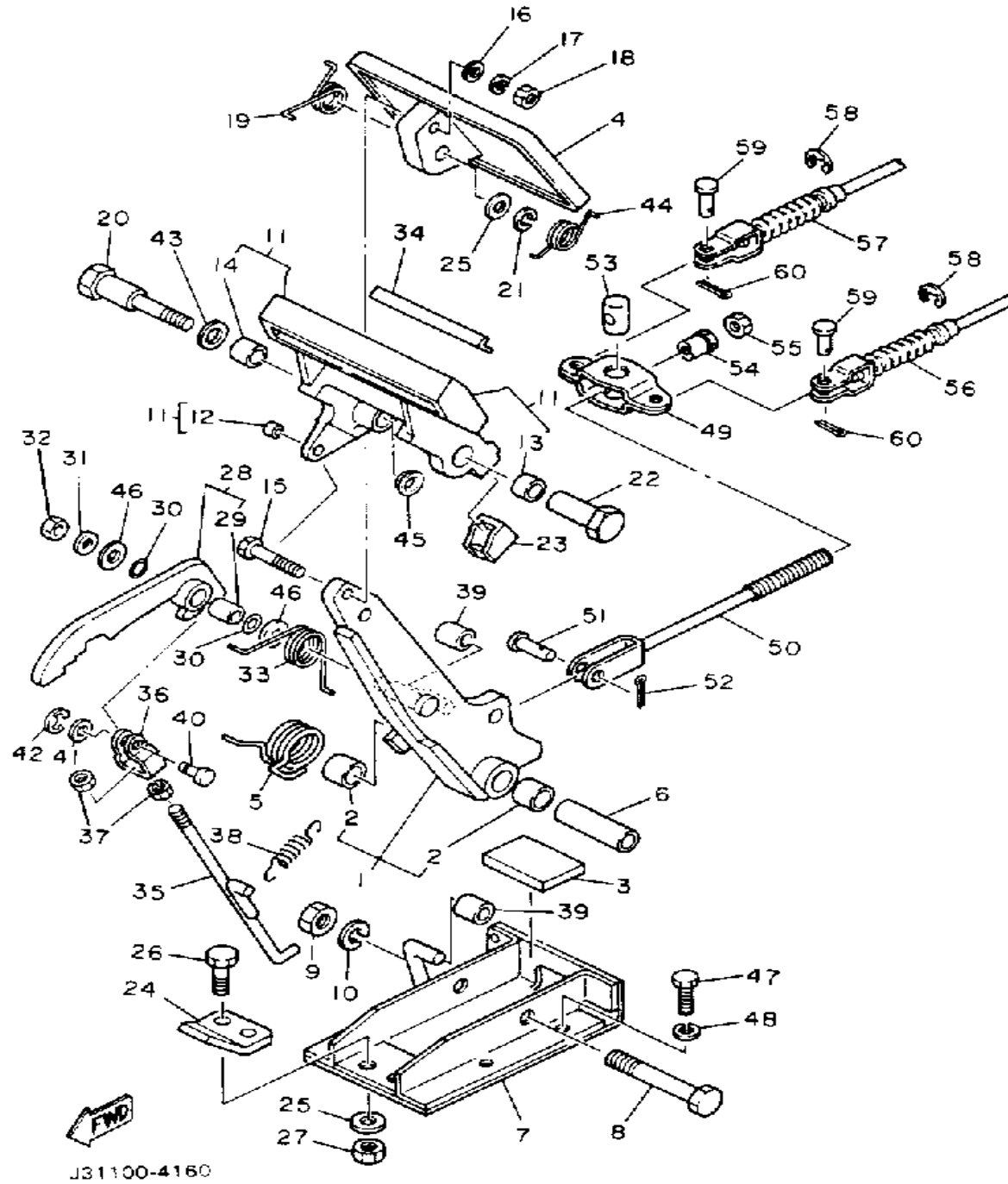
BRAKE



| Ref. No. | Part Number | Description | Qty | Remarks |
|----------|-----------------|-----------------------|-----|---------|
| 25 | 92990-08200-00 | WASHER, PLAIN | 3 | |
| 26 | 97001-08025-00 | BOLT (1NV) | 2 | |
| 27 | 95611-08100-00 | NUT, U | 2 | |
| 28 | J17-W2561-00-00 | SECTOR, PARKING BRAKE | 1 | |
| 29 | 90384-10162-00 | . BUSH, BIMETAL | 1 | |
| 30 | J17-27221-00-00 | SEAL, SHAFT | 2 | |
| 31 | 90201-065F3-00 | WASHER, PLATE | 1 | |
| 32 | 95601-06100-00 | NUT, U | 1 | |
| 33 | 90508-14548-00 | SPRING, TORSION | 1 | |
| 34 | J17-25672-01-00 | PAD, PARKING | 1 | |
| 35 | J17-27231-02-00 | ROD, BRAKE | 1 | |
| 36 | J17-27232-00-00 | END, ROD | 1 | |
| 37 | 95380-06700-00 | NUT | 2 | |
| 38 | 90506-12277-00 | SPRING, TENSION | 1 | |
| 39 | J17-25673-00-00 | DAMPER, BRAKE | 2 | |
| 40 | J17-27228-00-00 | PIN, LINK JOINT | 1 | |
| 41 | 92901-05600-00 | WASHER, PLATE | 1 | |
| 42 | 99080-04600-00 | CIRCLIP (E) | 1 | |
| 43 | 90201-123F2-00 | WASHER, PLAIN | 1 | |
| 44 | 90508-26557-00 | SPRING, TORSION | 1 | |
| 45 | 90380-12105-00 | BUSH, SOLID | 1 | |
| 46 | 90201-104G8-00 | WASHER, PLAIN | 2 | |
| 47 | 97011-06016-00 | BOLT | 4 | |
| 48 | 92995-06100-00 | WASHER, SPRING | 4 | |
| 49 | J10-25681-00-00 | EQUALIZER, BRAKE | 1 | |
| 50 | J20-25685-00-00 | ROD | 1 | |
| 51 | 91701-10022-00 | PIN | 1 | |
| 52 | 91490-30020-00 | PIN, COTTER | 1 | |
| 53 | 90249-14129-00 | PIN | 1 | |

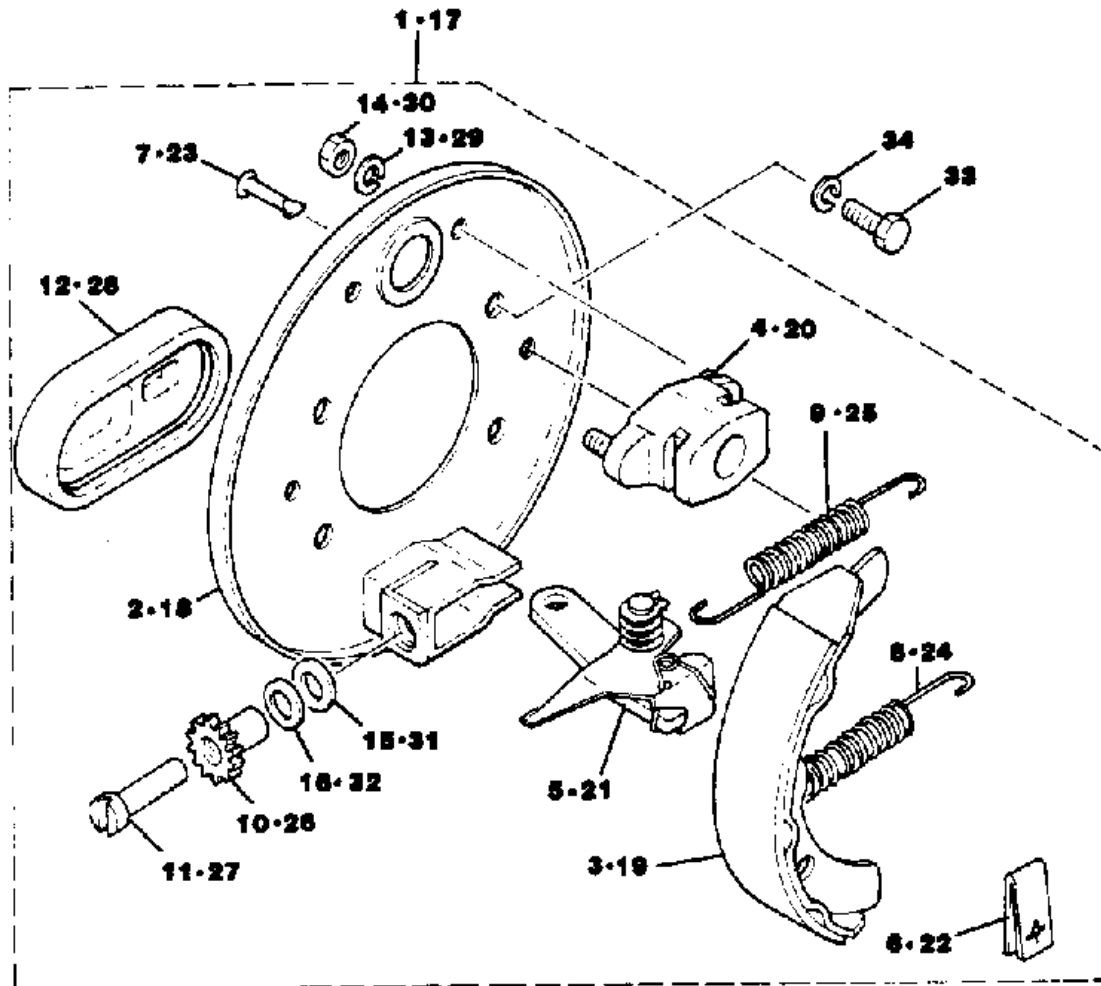
CONTINUED ON NEXT FRAME ►

BRAKE



| Ref. No. | Part Number | Description | Qty | Remarks |
|----------|-----------------|--------------------|-----|---------|
| 54 | 90179-08261-00 | NUT | 1 | |
| 55 | 95303-08700-00 | NUT | 1 | |
| 56 | J56-F6341-00-00 | CABLE, BRAKE | 1 | |
| 57 | J56-F6351-00-00 | CABLE, BRAKE | 1 | |
| 58 | 99001-09600-00 | CIRCLIP | 4 | |
| 59 | 91701-08018-00 | PIN | 4 | |
| 60 | 91490-25020-00 | PIN, COTTER | 4 | |

BRAKE 2

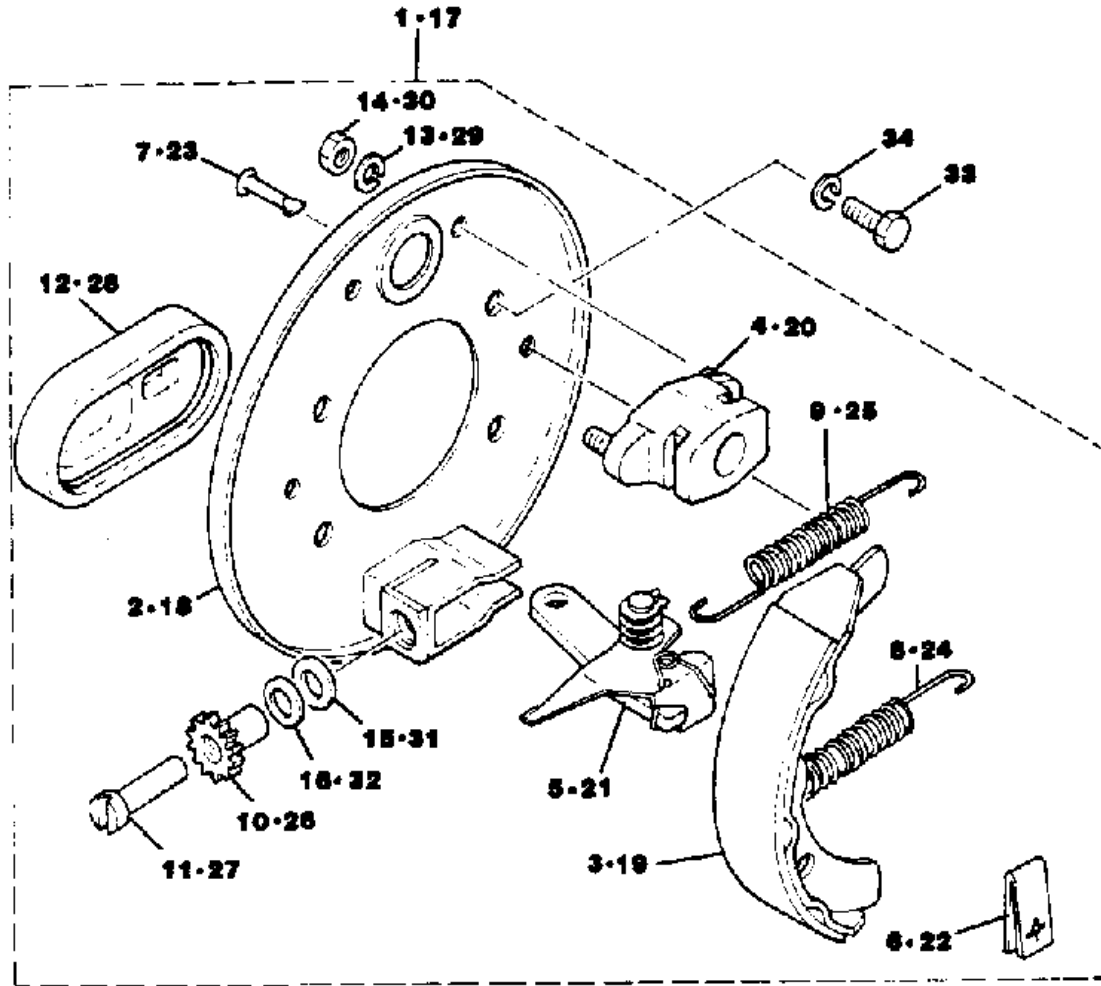


J31100-4170

| Ref. No. | Part Number | Description | Qty | Remarks |
|----------|-----------------|--------------------------------------------|-----|---------|
| 1 | J17-27280-01-00 | BACKING PLT ASSEMBLY 1 .. | 1 | |
| 2 | J17-27208-00-00 | . BACKING PLATE SUB ASSEMBLY 1 (R.H) | 1 | |
| 3 | J55-W2536-00-00 | . BRAKE SHOE SET | 1 | |
| 4 | J17-27206-00-00 | . ANCHOR BODY COMP. | 1 | |
| 5 | J17-27204-01-00 | . LEVER ASSEMBLY 1 | 1 | |
| 6 | J10-27281-00-00 | . SPRING, SHOE CLAMP | 2 | |
| 7 | J10-27282-00-00 | . PIN, SHOE HOLD DOWN | 2 | |
| 8 | 90506-20281-00 | . SPRING, TENSION | 1 | |
| 9 | 90506-26191-00 | . SPRING, TENSION | 1 | |
| 10 | J17-27238-00-00 | . NUT, ADJUSTING | 1 | |
| 11 | 90109-08657-00 | . BOLT | 1 | |
| 12 | J10-27286-00-00 | . COVER, DUST | 1 | |
| 13 | 92995-06100-00 | . WASHER, SPRING | 2 | |
| 14 | 95380-06600-00 | . NUT | 2 | |
| 15 | 90201-121H8-00 | . WASHER, PLATE | 1 | |
| 16 | 90201-121H9-00 | . WASHER, PLATE | 1 | |
| 17 | J17-27290-01-00 | BACKING PLT ASSEMBLY 2 .. | 1 | |
| 18 | J17-27209-00-00 | . BACKING PLATE SUB ASSEMBLY 2 (L.H) | 1 | |
| 19 | J55-W2536-00-00 | . BRAKE SHOE SET | 1 | |
| 20 | J17-27206-00-00 | . ANCHOR BODY COMP. | 1 | |
| 21 | J17-27205-01-00 | . LEVER ASSEMBLY 2 | 1 | |
| 22 | J10-27281-00-00 | . SPRING, SHOE CLAMP | 2 | |
| 23 | J10-27282-00-00 | . PIN, SHOE HOLD DOWN | 2 | |
| 24 | 90506-20281-00 | . SPRING, TENSION | 1 | |
| 25 | 90506-26191-00 | . SPRING, TENSION | 1 | |
| 26 | J17-27258-00-00 | . NUT, ADJUSTING | 1 | |
| 27 | 90109-08659-00 | . BOLT | 1 | |

CONTINUED ON NEXT FRAME ►

BRAKE 2

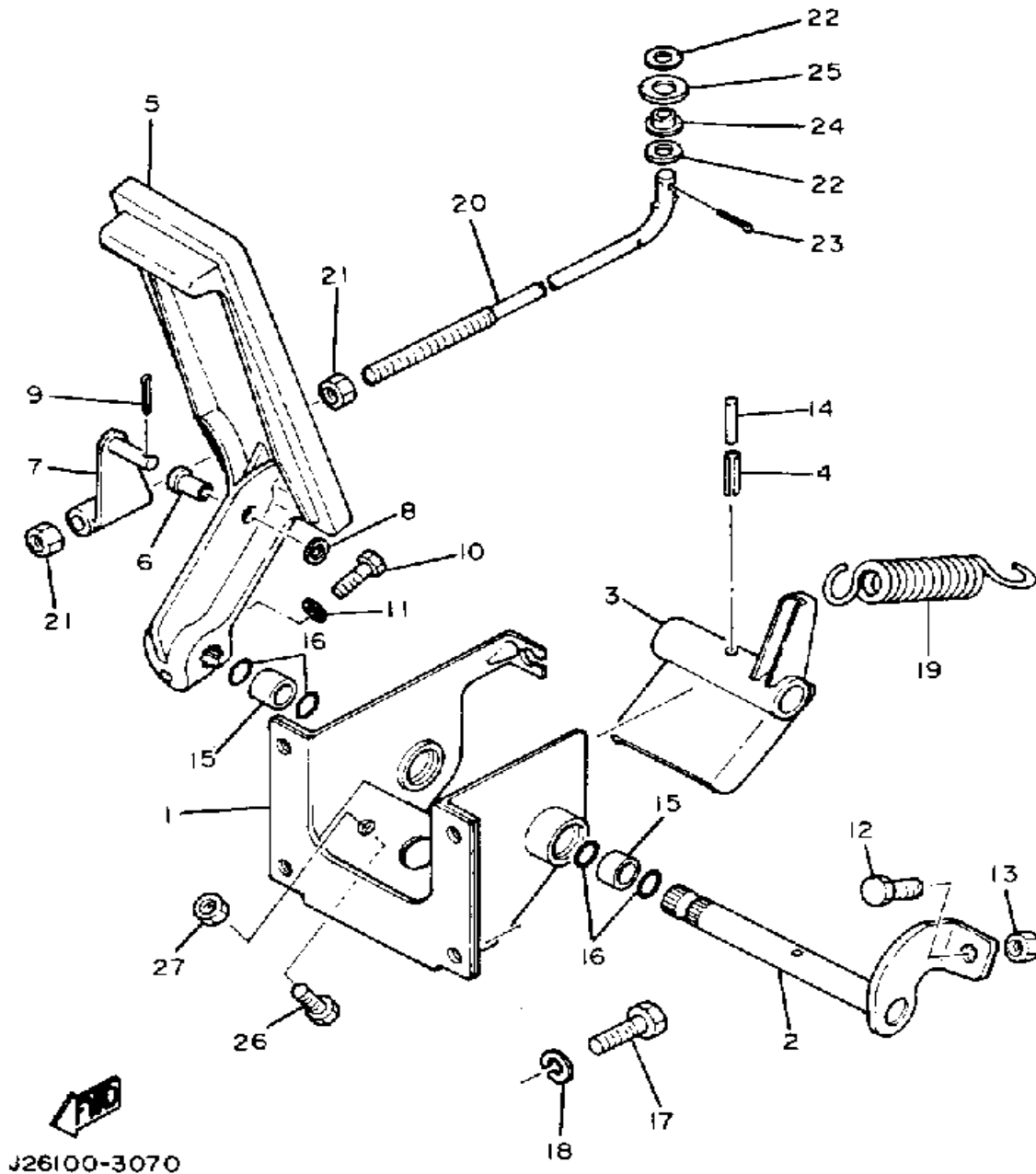


| Ref. No. | Part Number | Description | Qty | Remarks |
|----------|-----------------|------------------------|-----|---------|
| 28 | J10-27286-00-00 | . COVER, DUST | 1 | |
| 29 | 92995-06100-00 | . WASHER, SPRING | 2 | |
| 30 | 95380-06600-00 | . NUT | 2 | |
| 31 | 90201-121H8-00 | . WASHER, PLATE | 1 | |
| 32 | 90201-121H9-00 | . WASHER, PLATE | 1 | |
| 33 | 97313-08016-00 | BOLT, HEXAGON | 8 | |
| 34 | 92990-08100-00 | WASHER | 8 | |



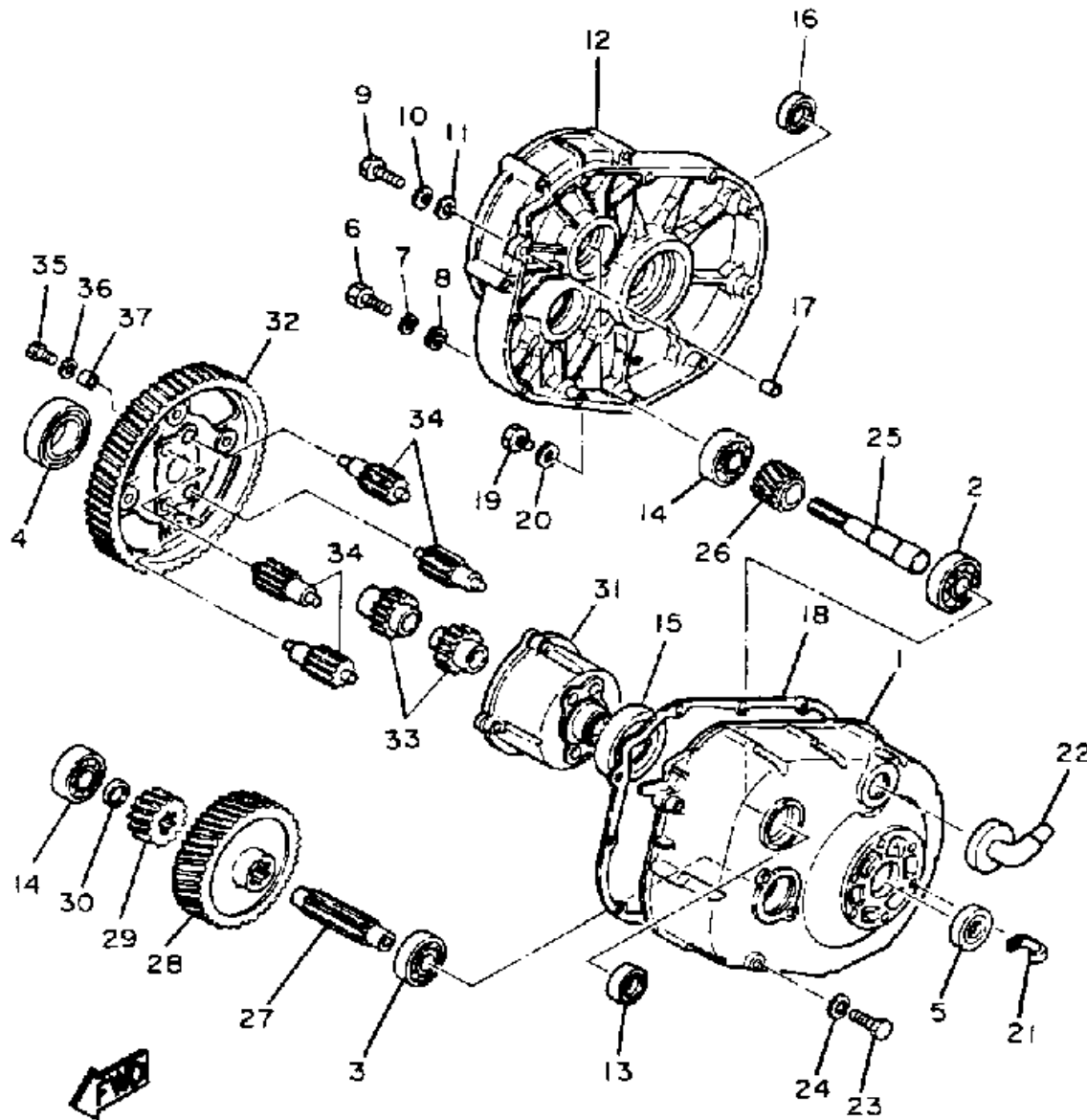
J31100-4170

ACCELERATOR



| Ref. No. | Part Number | Description | Qty | Remarks |
|----------|-----------------|--------------------------|-----|---------|
| 1 | J22-27874-00-00 | BRKT, ACCLTR PEDAL | 1 | |
| 2 | J17-27853-00-00 | SHAFT, PEDAL 1 | 1 | |
| 3 | J22-27872-00-00 | ARM, ACCELERATOR | 1 | |
| 4 | 91609-60025-00 | PIN, SPRING | 1 | |
| 5 | JF3-27871-00-00 | PEDAL, ACCELERATOR | 1 | |
| 6 | 90381-06033-00 | BUSH, SOLID | 1 | |
| 7 | J14-27815-00-00 | LEVER, CRANK | 1 | |
| 8 | 90201-061A5-00 | WASHER, PLATE | 1 | |
| 9 | 91490-20020-00 | PIN, COTTER | 1 | |
| 10 | 97011-06025-00 | BOLT (97001-06025) | 1 | |
| 11 | 92995-06100-00 | WASHER, SPRING | 1 | |
| 12 | 90106-08040-00 | BOLT, RD. HEX | 1 | |
| 13 | 95303-08700-00 | NUT | 1 | |
| 14 | 91609-35028-00 | PIN, SPRING | 1 | |
| 15 | 90384-14080-00 | BUSH, BIMETAL | 2 | |
| 16 | 93210-14104-00 | O-RING | 4 | |
| 17 | 97301-06014-00 | BOLT, HEXAGON | 4 | |
| 18 | 92995-06100-00 | WASHER, SPRING | 4 | |
| 19 | 90506-29283-00 | SPRING, TENSION | 1 | |
| 20 | J14-27241-00-00 | ROD, JOINT | 1 | |
| 21 | 95303-08700-00 | NUT | 2 | |
| 22 | 90201-07077-00 | WASHER, PLAT | 2 | |
| 23 | 91401-25020-00 | PIN, COTTER | 1 | |
| 24 | 90386-07100-00 | BUSH | 1 | |
| 25 | 90202-10116-00 | WASHER, PLATE | 1 | |
| 26 | 97011-06025-00 | BOLT (97001-06025) | 1 | |
| 27 | 95380-06700-00 | NUT | 1 | |

TRANSMISSION

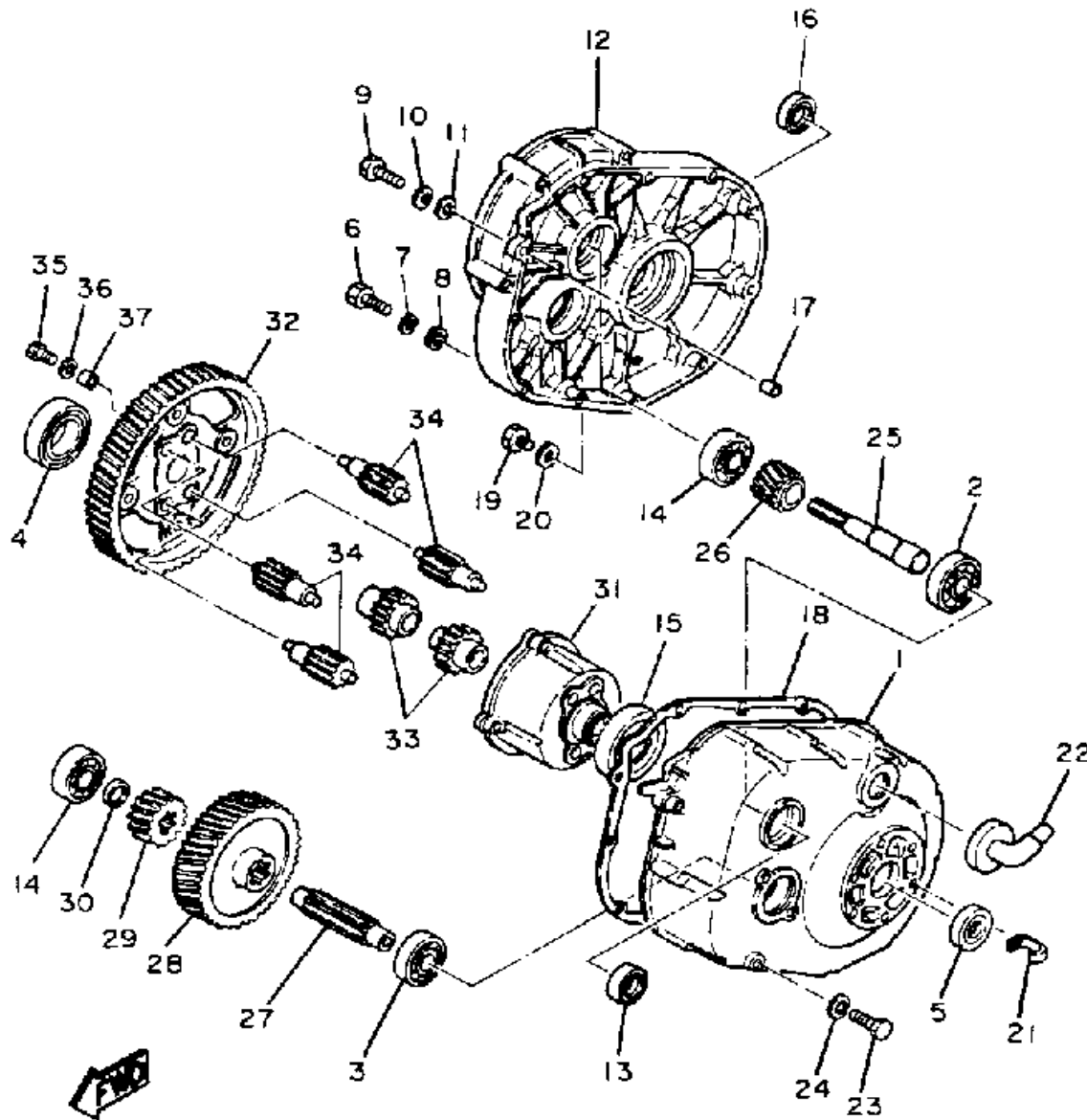


J25100-3080

| Ref. No. | Part Number | Description | Qty | Remarks |
|----------|-----------------|----------------------|-----|---------|
| 1 | J14-46311-00-00 | CASE, TRANSMISSION 1 | 1 | |
| 2 | 93306-20529-00 | BEARING (B6205C4) | 1 | |
| 3 | 93306-20421-00 | BEARING | 1 | |
| 4 | 93306-00803-00 | BEARING (B6008) | 1 | |
| 5 | 93102-22189-00 | OIL SEAL | 1 | |
| 6 | 97313-08035-00 | BOLT, HEXAGON | 9 | |
| 7 | 92990-08100-00 | WASHER | 9 | |
| 8 | 92901-08600-00 | WASHER | 9 | |
| 9 | 97313-08045-00 | BOLT | 2 | |
| 10 | 92990-08100-00 | WASHER | 2 | |
| 11 | 92901-08600-00 | WASHER | 2 | |
| 12 | J14-46312-02-00 | CASE, TRANSMISSION 2 | 1 | |
| 13 | 93102-20143-00 | OIL SEAL | 1 | |
| 14 | 93306-20421-00 | BEARING | 2 | |
| 15 | 93306-00803-00 | BEARING (B6008) | 1 | |
| 16 | 93102-22189-00 | OIL SEAL | 1 | |
| 17 | 99510-12016-00 | PIN, DOWEL | 2 | |
| 18 | J10-46319-01-00 | GASKET | 1 | |
| 19 | 90340-14036-00 | PLUG, STRAIGHT SCRW | 2 | |
| 20 | 90430-14043-00 | GASKET | 2 | |
| 21 | 90465-06100-00 | CLAMP | 1 | |
| 22 | 835-47559-00-00 | CAP 2 | 1 | |
| 23 | 97011-10020-00 | BOLT | 2 | |
| 24 | 92990-10100-00 | WASHER, SPRING | 2 | |
| 25 | J14-46321-01-00 | SHAFT, INPUT | 1 | |
| 26 | J10-46331-02-00 | GEAR, IMPUT 1 | 1 | |
| 27 | J10-46351-00-00 | SHAFT, COUNTER | 1 | |
| 28 | J10-46361-02-00 | GEAR, COUNTER 1 | 1 | |
| 29 | J17-46362-00-00 | GEAR, COUNTER 2 | 1 | |

CONTINUED ON NEXT FRAME ►

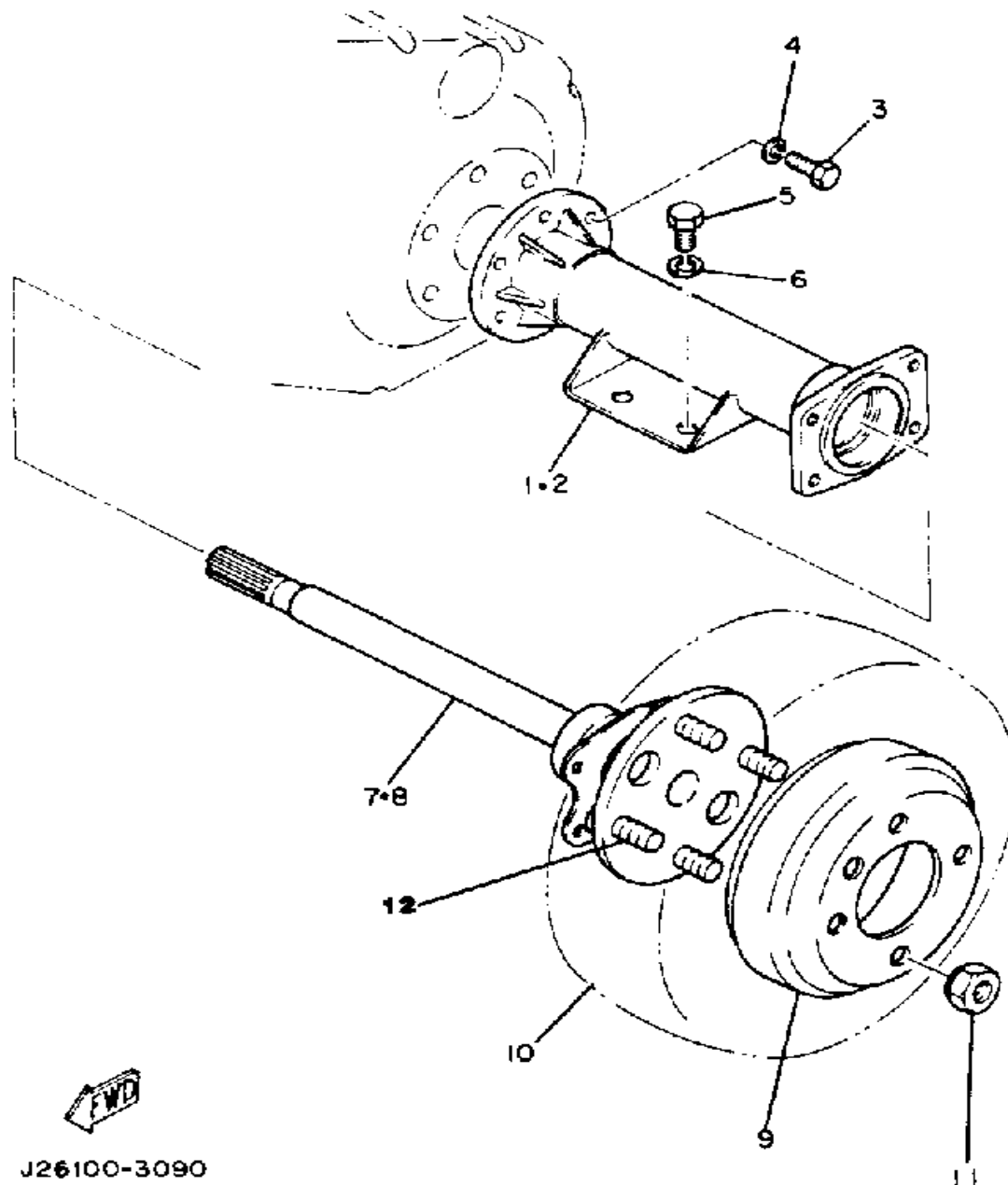
TRANSMISSION



J25100-3080

| Ref. No. | Part Number | Description | Qty | Remarks |
|----------|-----------------|--------------------------|-----|---------|
| 30 | 90201-20272-00 | WASHER, PLATE | 1 | |
| 31 | J10-W4641-00-00 | CASE, DIFFERENTIAL | 1 | |
| 32 | J17-W4642-00-00 | GEAR, RING | 1 | |
| 33 | J10-46414-00-00 | GEAR, DIFF SIDE | 2 | |
| 34 | J10-46415-00-00 | PINION, DIFF | 4 | |
| 35 | 97313-08030-00 | BOLT, HEXAGON | 4 | |
| 36 | 92990-08100-00 | WASHER | 4 | |
| 37 | 99510-10114-00 | PIN, DOWEL | 2 | |

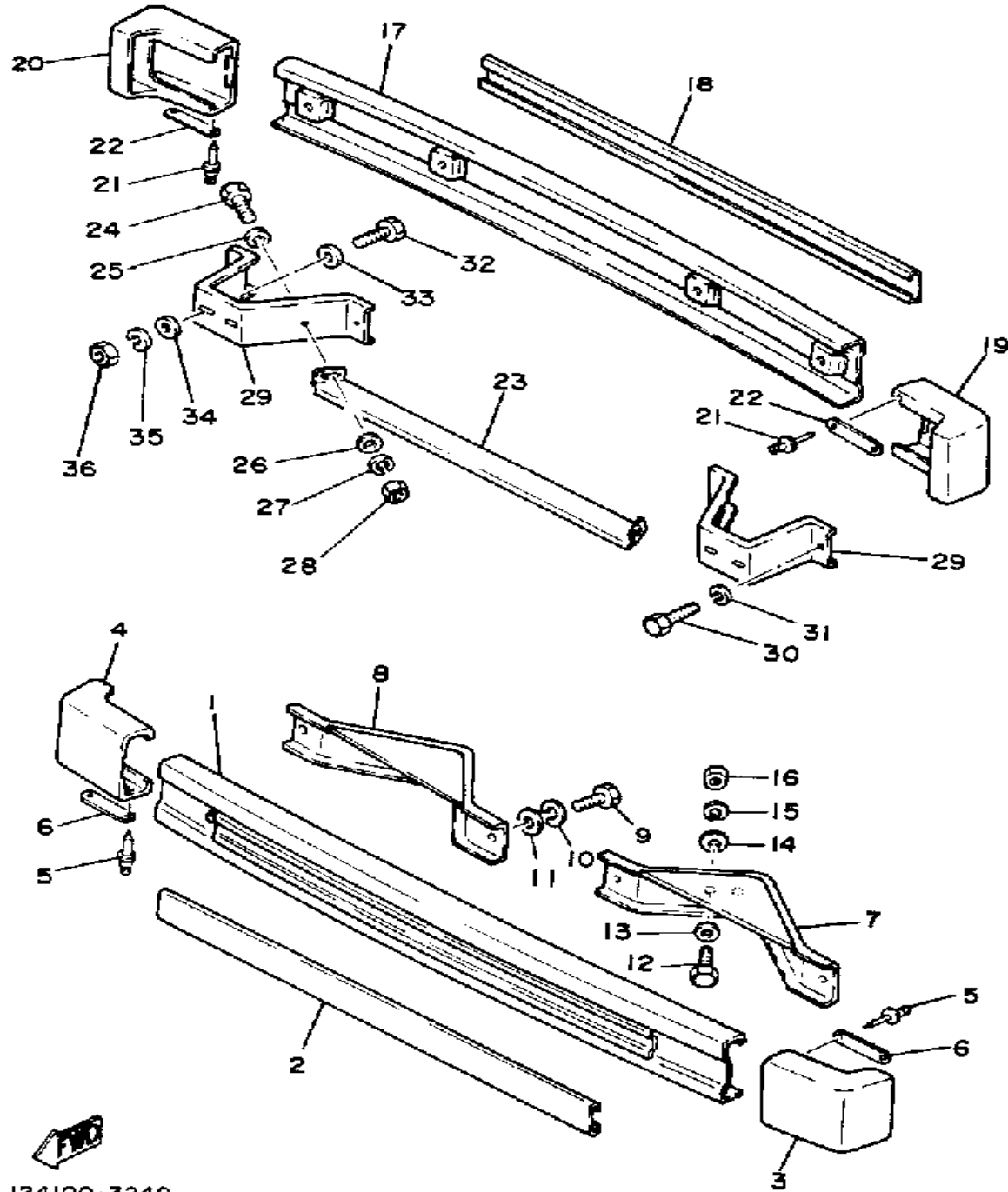
REAR AXLE-WHEEL



| Ref. No. | Part Number | Description | Qty | Remarks |
|----------|-----------------|-------------------------------------------|-----|---------------|
| 1 | J14-46540-00-00 | R.AXLE HOUSING 1 | 1 | |
| 2 | J14-46550-00-00 | R.AXLE HOUSING 2 | 1 | |
| 3 | 97013-08025-00 | BOLT | 12 | |
| 4 | 92990-08100-00 | WASHER | 12 | |
| 5 | 97011-10020-00 | BOLT | 8 | |
| 6 | 92990-10100-00 | WASHER, SPRING | 8 | |
| 7 | J22-46510-01-00 | REAR AXLE SHAFT 1 (J14-46510-01) | 1 | |
| 8 | J22-46520-01-00 | REAR AXLE SHAFT 2 (J14-46520-01) | 1 | |
| 9 | J55-G6521-00-00 | DRUM | 2 | |
| 10 | *--- | FRONT WHEEL ASSEMBLY .. | 2 | LM (SEE NOTE) |
| 11 | 90179-12262-00 | NUT | 8 | |
| 12 | 90114-12004-00 | BOLT, RIBBED NECK | 8 | |

J26100-3090

BUMPER

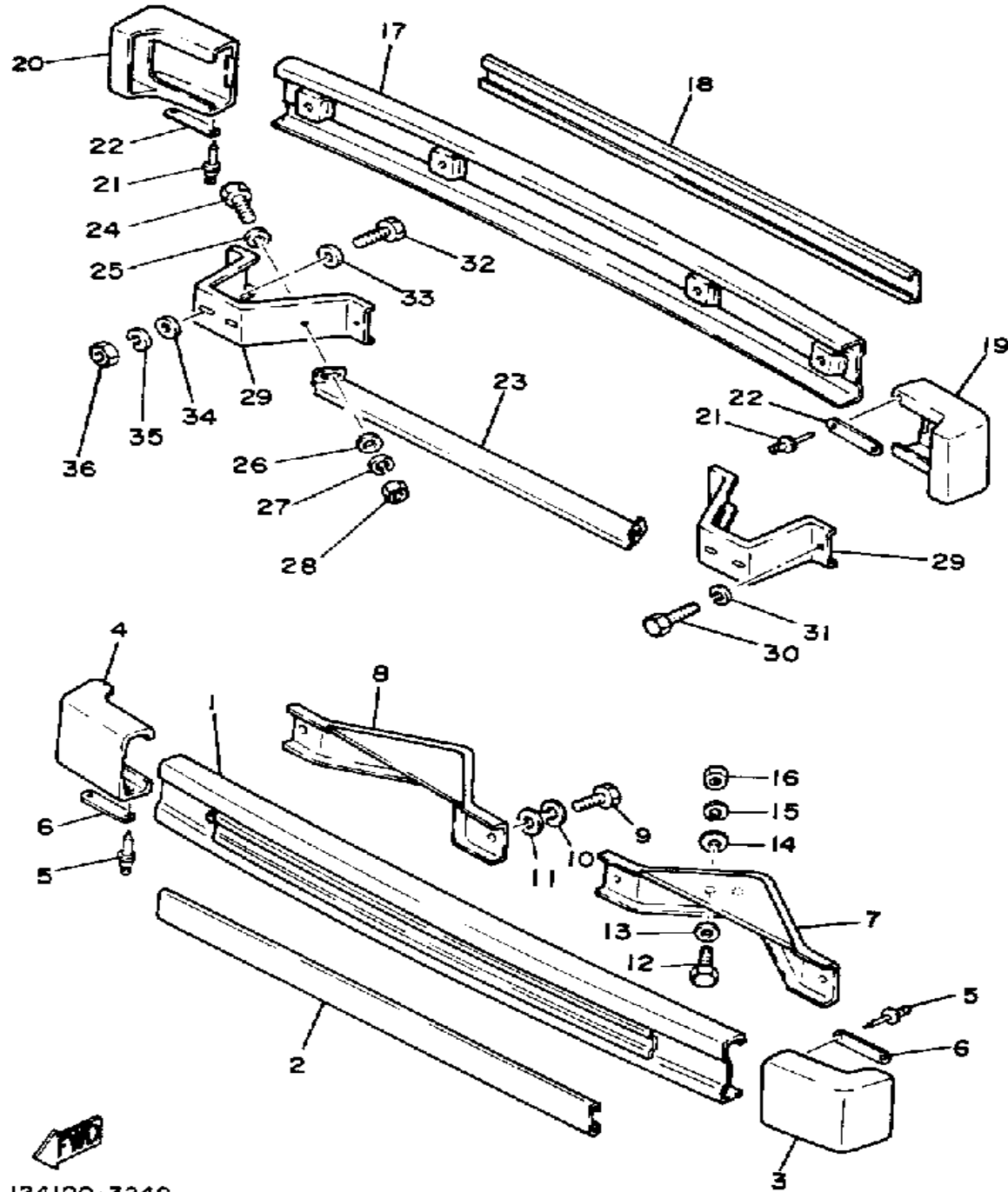


J24100-3240

| Ref. No. | Part Number | Description | Qty | Remarks |
|----------|-----------------|-----------------------------------|-----|---------|
| 1 | J17-78106-00-00 | BUMPER SB/ASSEMBLY, FRT | 1 | |
| 2 | J17-78162-00-00 | PAD, FRONT BUMPER | 1 | |
| 3 | J10-78168-01-00 | BUMPER, RUBBER 2 | 1 | |
| 4 | J10-78167-01-00 | BUMPER, RUBBER 1 | 1 | |
| 5 | 90267-40077-00 | RIVET, BLIND | 8 | |
| 6 | J17-77525-00-00 | WASHER 1 | 4 | |
| 7 | J42-78164-00-00 | STAY, FRT BUMPER 1 (J17-78165-00) | 1 | |
| 8 | J42-78165-00-00 | STAY, FRT BUMPER 2 (J17-78165-00) | 1 | |
| 9 | 97313-08016-00 | BOLT, HEXAGON | 4 | |
| 10 | 92990-08100-00 | WASHER | 4 | |
| 11 | 92901-08600-00 | WASHER | 4 | |
| 12 | 97013-08025-00 | BOLT | 4 | |
| 13 | 92901-08600-00 | WASHER | 4 | |
| 14 | 90201-085E6-00 | WASHER PLATE | 4 | |
| 15 | 92990-08100-00 | WASHER | 4 | |
| 16 | 95333-08600-00 | NUT | 4 | |
| 17 | J17-78107-00-00 | BUMPER SB/ASSEMBLY, RR | 1 | |
| 18 | J17-78162-00-00 | PAD, FRONT BUMPER | 1 | |
| 19 | J10-78167-01-00 | BUMPER, RUBBER 1 | 1 | |
| 20 | J10-78168-01-00 | BUMPER, RUBBER 2 | 1 | |
| 21 | 90267-40077-00 | RIVET, BLIND | 8 | |
| 22 | J17-77525-00-00 | WASHER 1 | 4 | |
| 23 | J10-78179-00-00 | PLATE, EXTENSION | 1 | |
| 24 | 97011-08016-00 | BOLT | 2 | |
| 25 | 92901-08600-00 | WASHER | 2 | |
| 26 | 92990-08200-00 | WASHER, PLAIN | 2 | |
| 27 | 92990-08100-00 | WASHER | 2 | |

CONTINUED ON NEXT FRAME ►

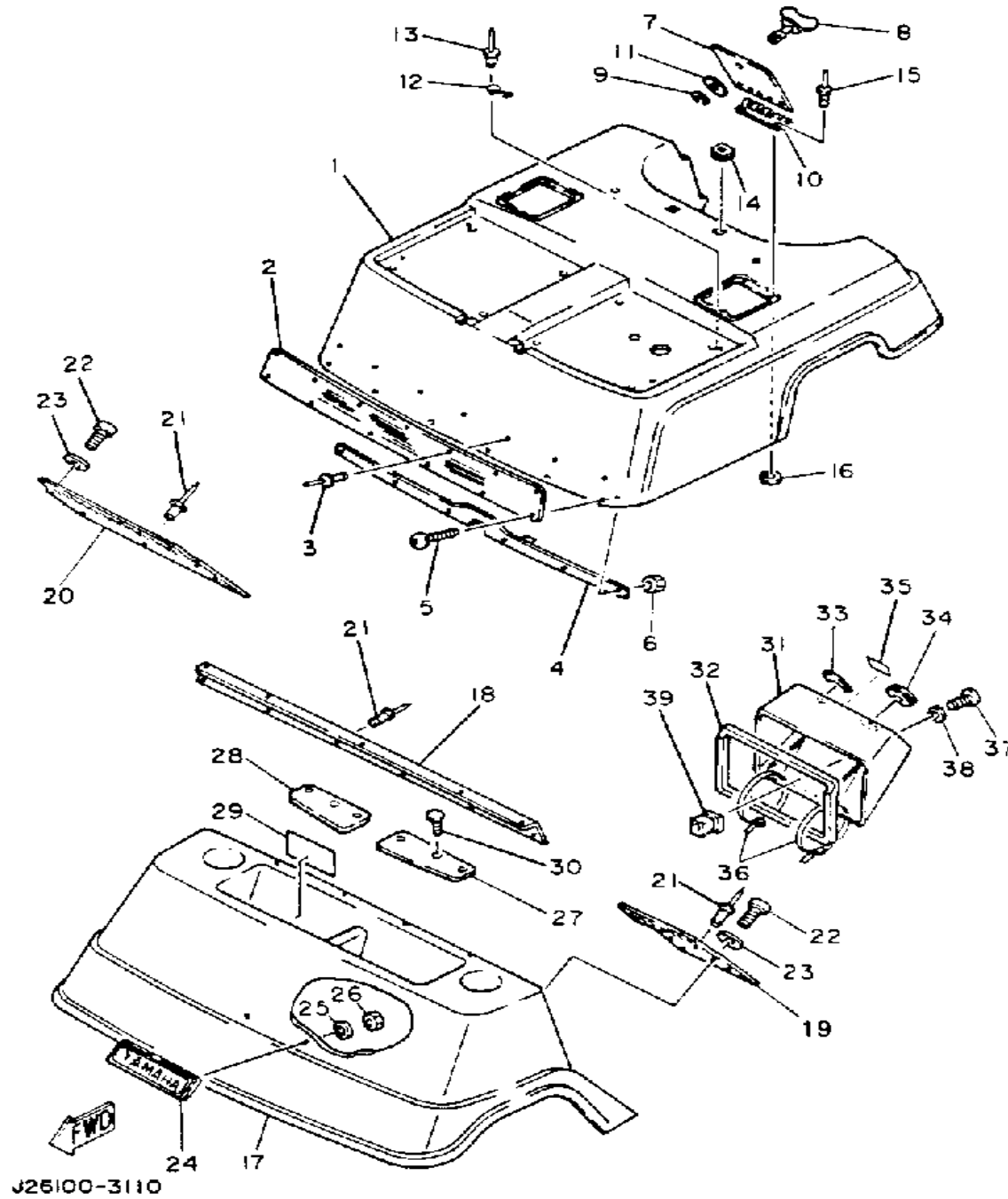
BUMPER



J24100-3240

| Ref. No. | Part Number | Description | Qty | Remarks |
|----------|-----------------|----------------------------------|-----|---------|
| 28 | 95303-08800-00 | NUT (CROWN) (95301-08800) | 2 | |
| 29 | J42-78174-00-00 | STAY, REAR BUMPER (J10-78174-01) | 2 | |
| 30 | 97313-08016-00 | BOLT, HEXAGON | 4 | |
| 31 | 92990-08100-00 | WASHER | 4 | |
| 32 | 97313-08020-00 | BOLT, HEXAGON | 4 | |
| 33 | 92901-08600-00 | WASHER | 4 | |
| 34 | 92990-08200-00 | WASHER, PLAIN | 4 | |
| 35 | 92990-08100-00 | WASHER | 4 | |
| 36 | 95333-08600-00 | NUT | 4 | |

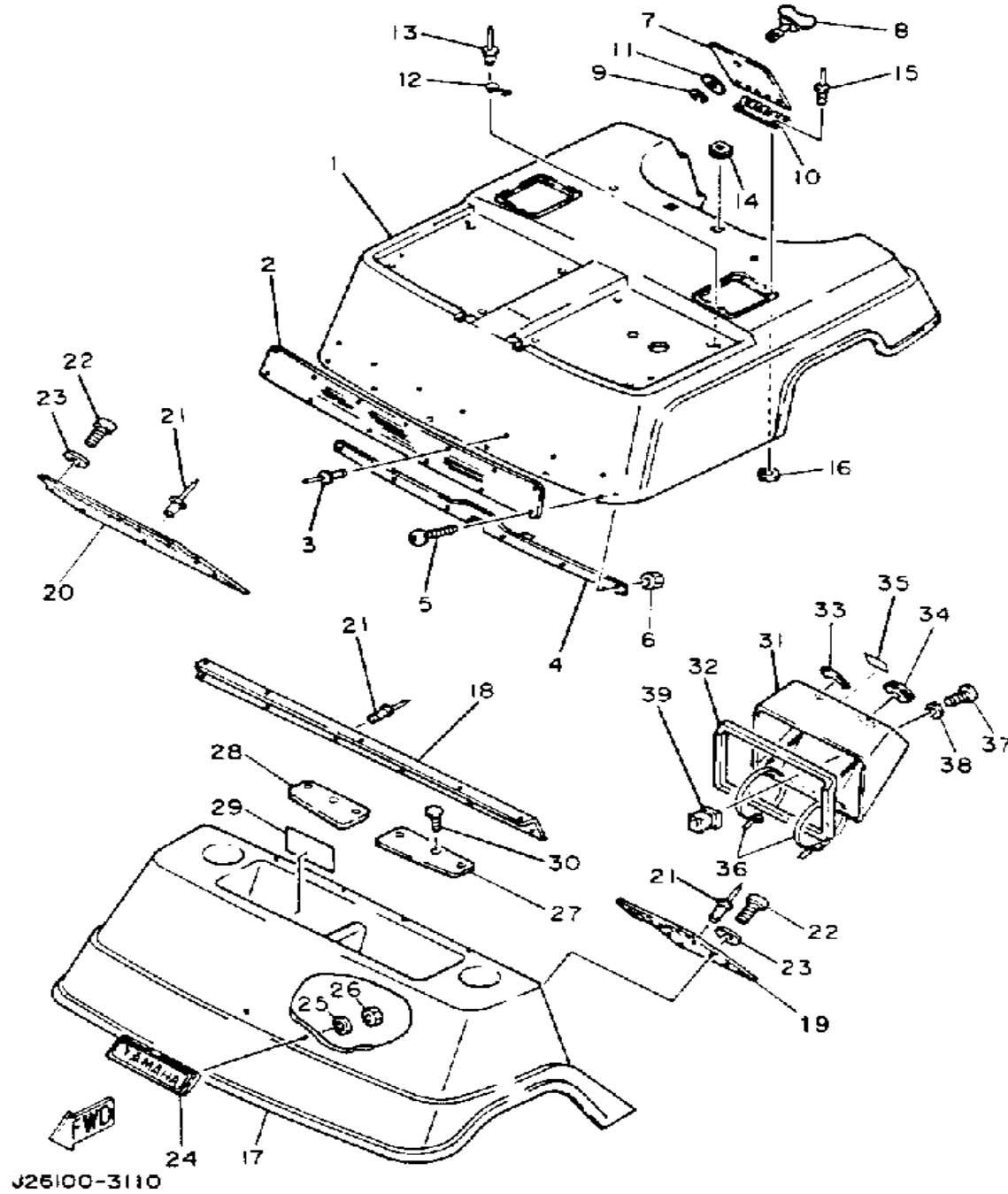
BODY



| Ref. No. | Part Number | Description | Qty | Remarks |
|----------|-----------------|-------------------|-----|---------|
| 1 | J36-W7811-10-00 | PANEL, BODY SHELL | 1 | |
| 2 | J10-78119-00-00 | PLATE 3 | 1 | |
| 3 | 90267-40075-00 | RIVET, BLIND | 7 | |
| 4 | J17-78121-00-00 | REINFORCEMENT 1 | 1 | |
| 5 | 98980-06016-00 | SCREW, BINDING | 6 | |
| 6 | 95601-06200-00 | NUT, U FLANGE | 6 | |
| 7 | J17-78272-00-00 | COVER, FUEL INLET | 1 | |
| 8 | J10-78238-01-00 | FASTENER, UPPER | 1 | |
| 9 | 99009-06600-00 | CIRCLIP | 1 | |
| 10 | J17-78275-00-00 | HINGE, FUEL INLET | 1 | |
| 11 | 90201-08100-00 | WASHER, PLATE | 1 | |
| 12 | J10-78239-00-00 | FASTENER, LOWER | 1 | |
| 13 | 90267-32019-00 | RIVET, BLIND | 2 | |
| 14 | 90480-35242-00 | GROMMET | 2 | |
| 15 | 90267-40075-00 | RIVET, BLIND | 2 | |
| 16 | 90201-044H9-00 | WASHER, PLAIN | 2 | |
| 17 | J17-78115-90-00 | COWL, FRONT | 1 | |
| 18 | J17-77165-00-00 | TRIM 1 | 1 | |
| 19 | J17-78232-00-00 | MAT, MAIN FLOOR 2 | 1 | |
| 20 | J17-78233-00-00 | MAT, MAIN FLOOR 3 | 1 | |
| 21 | 90267-63047-00 | RIVET, BLIND | 24 | |
| 22 | 90157-08028-00 | SCREW, PAN HEAD | 2 | |
| 23 | 90202-08134-00 | WASHER, plate | 2 | |
| 24 | J10-78291-00-00 | EMBLEM 1 | 1 | |
| 25 | 92990-05200-00 | WASHER, PLAIN | 2 | |
| 26 | 95701-05300-00 | NUT, NYLON | 2 | |
| 27 | J17-77151-00-00 | PAD 1 | 1 | |
| 28 | J17-77152-00-00 | PAD 2 | 1 | |
| 29 | J10-77768-00-00 | LABEL, WARNING | 1 | |

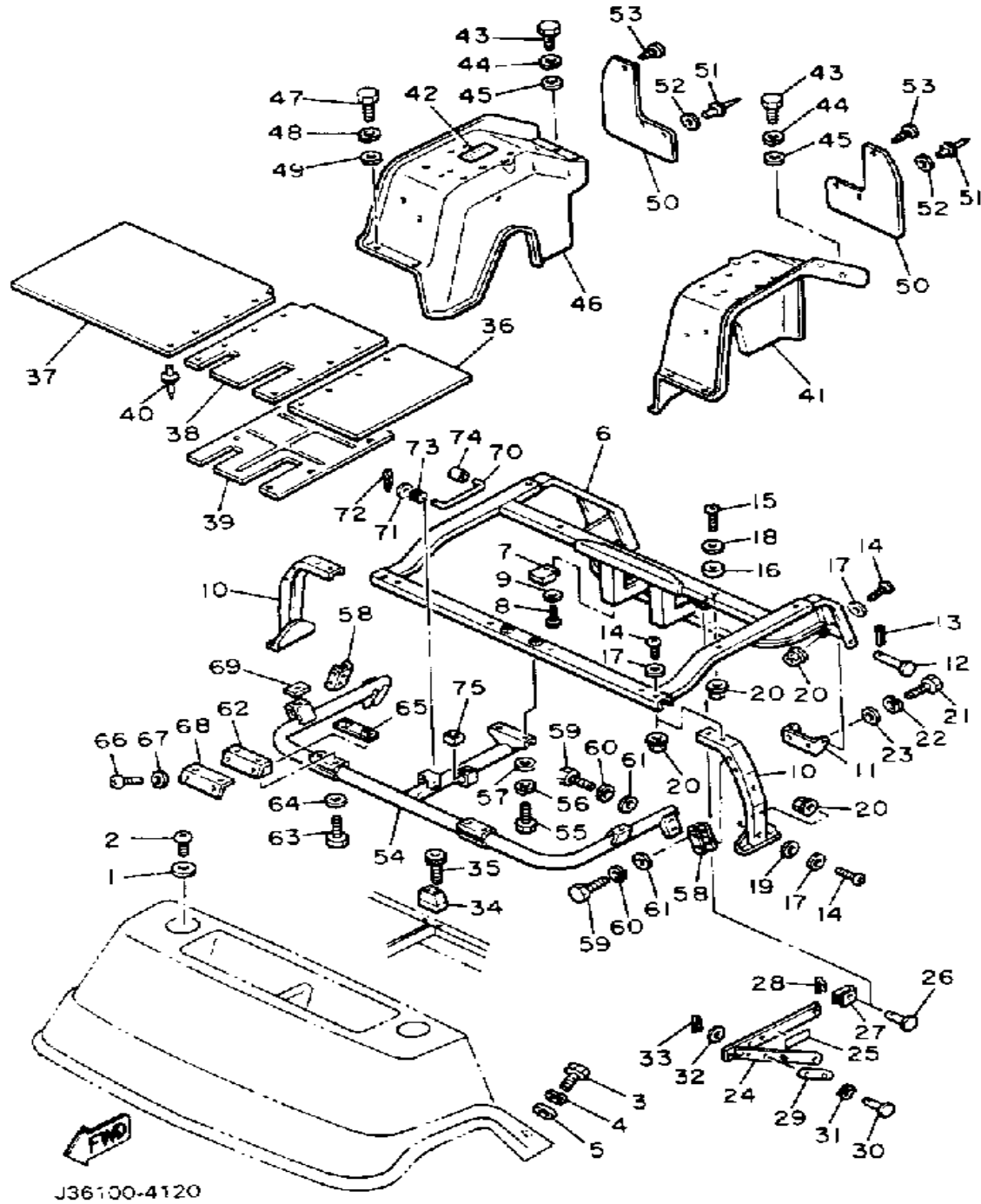
CONTINUED ON NEXT FRAME ►

BODY



| Ref. No. | Part Number | Description | Qty | Remarks |
|----------|-----------------|---------------------------|-----|---------|
| 30 | 90269-06028-00 | RIVET | 2 | |
| 31 | J10-77711-00-00 | PANEL, INSTRUMENT | 1 | |
| 32 | J10-78245-00-00 | SEAL 1 | 1 | |
| 33 | J10-77741-00-00 | INDICATOR 1 | 1 | |
| 34 | 90480-48243-00 | GROMMET | 1 | |
| 35 | J14-77458-00-00 | LABEL, WARNING | 1 | |
| 36 | 90-46525-05-00 | UNAVAILABLE IN PRICE BOOK | 2 | |
| 37 | 97780-50130-00 | SCREW, TAPPING | 2 | |
| 38 | 90201-05036-00 | WASHER, PLATE | 2 | |
| 39 | 90480-07241-00 | GROMMET | 2 | |

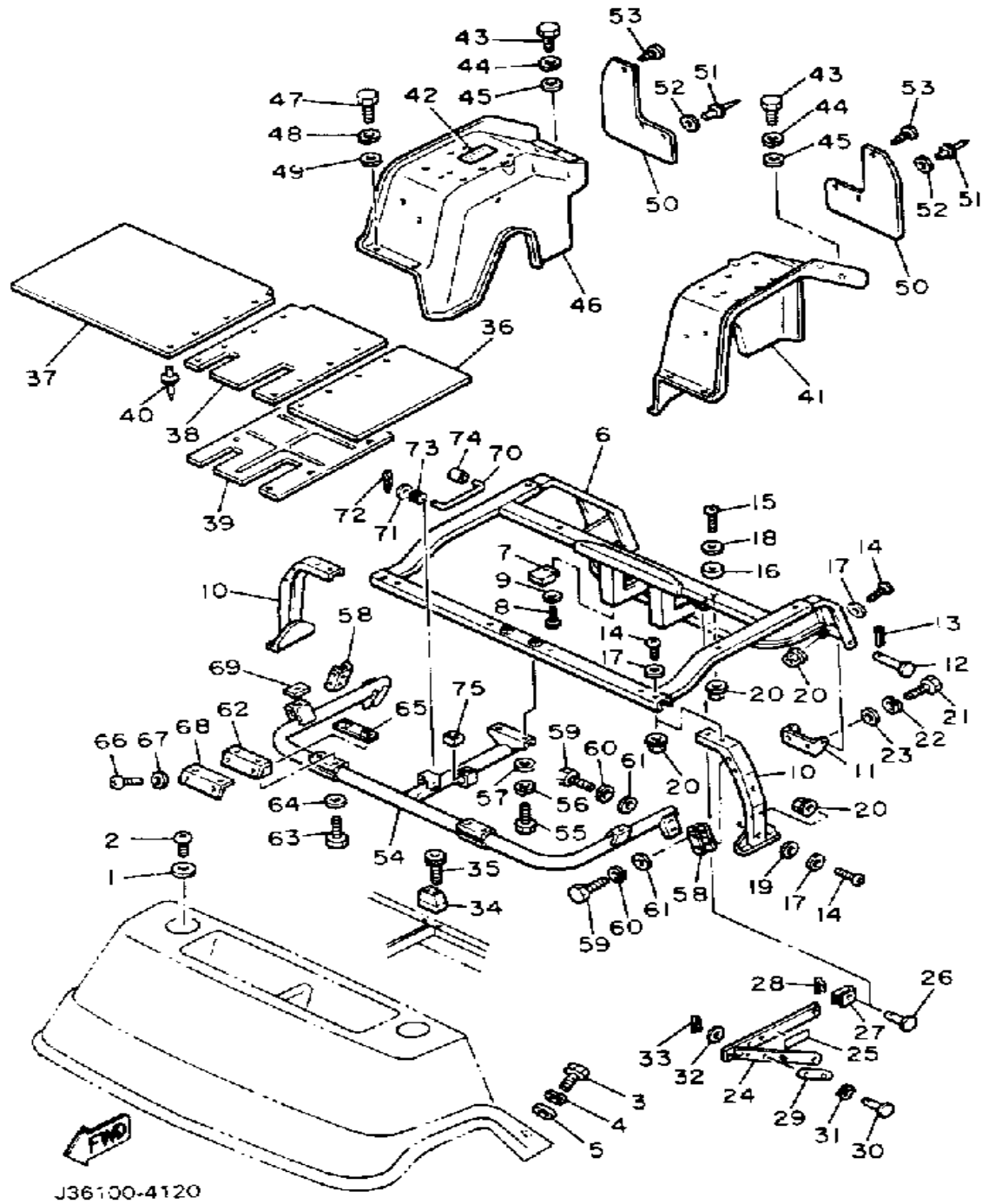
BODY FITTING



| Ref. No. | Part Number | Description | Qty | Remarks |
|----------|-----------------|------------------------------|-----|---------|
| 1 | 90201-08310-00 | WASHER, PLATE | 2 | |
| 2 | 98980-08025-00 | SCREW, BIND (98902-08025) .. | 2 | |
| 3 | 97023-06020-00 | BOLT (3XF) | 3 | |
| 4 | 92995-06100-00 | WASHER, SPRING | 3 | |
| 5 | 90201-06075-00 | WASHER, PLATE | 3 | |
| 6 | J36-77145-00-00 | HINGE 1 | 1 | |
| 7 | J17-78221-00-00 | SHEET, BODY MNTG 1 | 2 | |
| 8 | 98501-05018-00 | SCREW, PAN HEAD | 4 | |
| 9 | 92901-05600-00 | WASHER, PLATE | 4 | |
| 10 | J36-78123-00-00 | REINFORCEMENT 3 | 2 | |
| 11 | J10-77146-00-00 | HINGE 2 | 2 | |
| 12 | 91701-08118-00 | PIN, CLEVIS | 2 | |
| 13 | 91401-25020-00 | PIN, COTTER | 2 | |
| 14 | 98980-06020-00 | SCREW, BIND | 10 | |
| 15 | 98980-06025-00 | SCREW, BIND | 2 | |
| 16 | 90202-08085-00 | WASHER, PLATE | 2 | |
| 17 | 90201-06697-00 | WASHER, PLATE | 10 | |
| 18 | 90201-06697-00 | WASHER, PLATE | 2 | |
| 19 | 90201-08730-00 | WASHER, PLATE | 2 | |
| 20 | 95601-06200-00 | NUT, U FLANGE | 12 | |
| 21 | 97313-08020-00 | BOLT, HEXAGON | 4 | |
| 22 | 92990-08100-00 | WASHER | 4 | |
| 23 | 92901-08600-00 | WASHER | 4 | |
| 24 | J10-77125-00-00 | STAY 1 | 1 | |
| 25 | J10-77766-00-00 | LABEL, WARNING 6 | 1 | |
| 26 | 91701-08020-00 | PIN, CLEVIS | 2 | |
| 27 | J17-7712F-00-00 | STAY 1 | 2 | |
| 28 | 90468-16065-00 | CLIP | 2 | |
| 29 | J10-77188-00-00 | STOPPER | 1 | |

CONTINUED ON NEXT FRAME ►

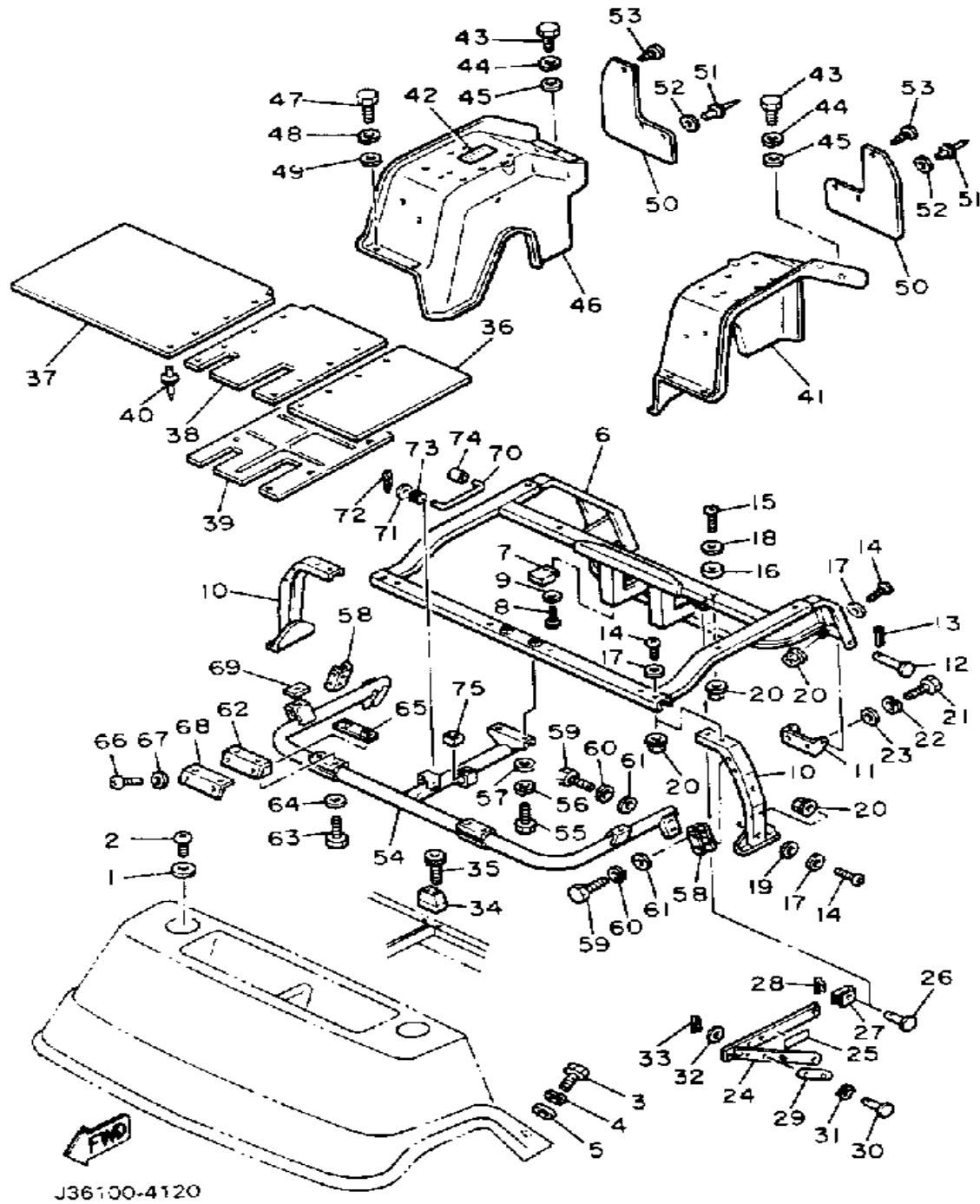
BODY FITTING



| Ref. No. | Part Number | Description | Qty | Remarks |
|----------|-------------------|--------------------------|-----|---------|
| 30 | 91701-06012-00 | PIN, CLEVIS | 1 | |
| 31 | 90206-06090-00 | WASHER, WAVE | 1 | |
| 32 | 92990-06200-00 | WASHER | 2 | |
| 33 | 90468-10050-00 | CLIP | 1 | |
| 34 | J17-78156-00-00 | STOPPER, LOCK | 1 | |
| 35 | 91316-06035-00 | BOLT | 2 | |
| 36 | J31-78231-00-00 | MAT, MAIN FLOOR 1 | 1 | |
| 37 | J31-78234-00-00 | MAT, MAIN FLOOR 4 | 1 | |
| 38 | J31-78235-00-00 | SHEET, MAIN FLOOR | 1 | |
| 39 | J31-78271-00-00 | SERVICE LID, PEDAL | 1 | |
| 40 | 90267-48086-00 | RIVET, BLIND | 16 | |
| 41 | J26-78191-00-00 | PANEL, RR FENDER 1 | 1 | |
| 42 | J22-77765-00-00 | LABEL, WARNING 5 | 1 | |
| 43 | 97313-06020-00 | BOLT, HEXAGON | 4 | |
| 44 | 92995-06100-00 | WASHER, SPRING | 4 | |
| 45 | 90201-062A8-00 | WASHER, PLATE | 4 | |
| 46 | J26-78192-00-00 | PANEL, RR FENDER 2 | 1 | |
| 47 | 97023-06020-00 | BOLT (3XF) | 4 | |
| 48 | 92995-06100-00 | WASHER, SPRING | 4 | |
| 49 | 90201-062A8-00 | WASHER, PLATE | 4 | |
| 50 | J24-78199-00-00 | FLAP, REAR 2 | 2 | |
| 51 | 90267-40075-00 | RIVET, BLIND | 4 | |
| 52 | 90201-05034-00 | WASHER, PLATE | 4 | |
| 53 | 90269-06028-00 | RIVET | 2 | |
| 54 | J36-78124-00-00 | REINFORCEMENT 4 | 1 | |
| 55 | 97011-08016-00 | BOLT | 2 | |
| 56 | 92990-08100-00 | WASHER | 2 | |
| 57 | 92901-08600-00 | WASHER | 2 | |
| 58 | (J36-78224-00-00) | BRACKET, REINFORCE | 2 | |

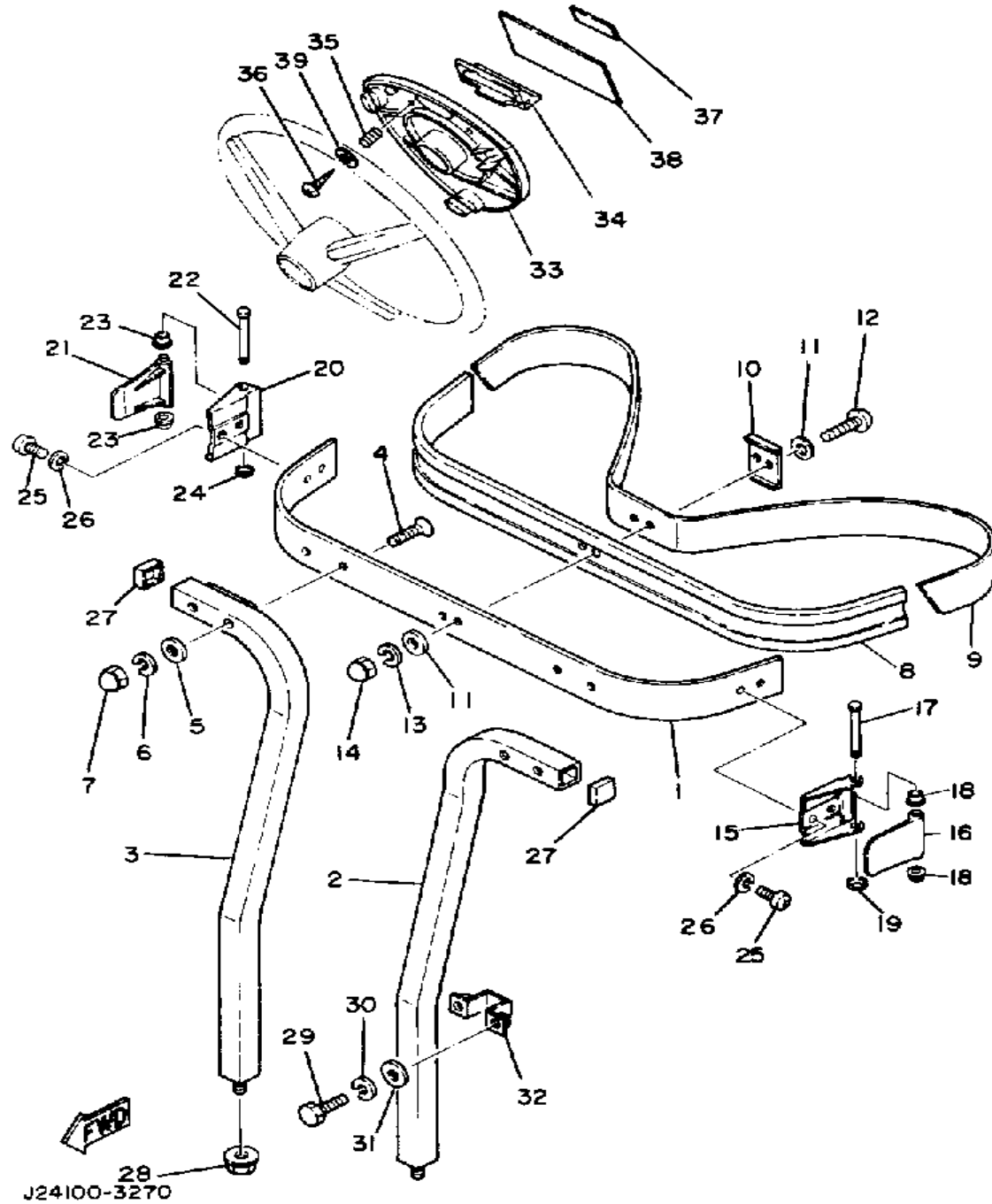
CONTINUED ON NEXT FRAME ➤

BODY FITTING



| Ref. No. | Part Number | Description | Qty | Remarks |
|----------|-------------------|---------------------------|-----|---------|
| 59 | 97313-06016-00 | BOLT, HEXAGON | 12 | |
| 60 | 92995-06100-00 | WASHER, SPRING | 12 | |
| 61 | 90201-061A5-00 | WASHER, PLATE | 12 | |
| 62 | J36-78424-00-00 | RETAINER, SEAT SPRT | 2 | |
| 63 | 97313-06040-00 | BOLT, HEXAGON | 4 | |
| 64 | 90201-061A5-00 | WASHER, PLATE | 4 | |
| 65 | J36-78434-00-00 | NUT, RETAINER | 2 | |
| 66 | 98980-06016-00 | SCREW, BINDING | 4 | |
| 67 | 90201-06697-00 | WASHER, PLATE | 4 | |
| 68 | J36-78225-00-00 | SPACER, HINGE | 2 | |
| 69 | ϕJ3-67837-80-0- | UNAVAILABLE IN PRICE BOOK | 2 | |
| 70 | (J36-78226-00-00) | ROD, SEAT STOPPER | 1 | |
| 71 | 90201-07077-00 | WASHER, PLAT | 1 | |
| 72 | 91490-20020-00 | PIN, COTTER | 1 | |
| 73 | 90501-06585-00 | SPRING, COMPRESSION | 1 | |
| 74 | ϕJ3-67822-80-00 | UNAVAILABLE IN PRICE BOOK | 1 | |
| 75 | J36-78227-00-00 | LOCK, SEAT STOPPER | 1 | |

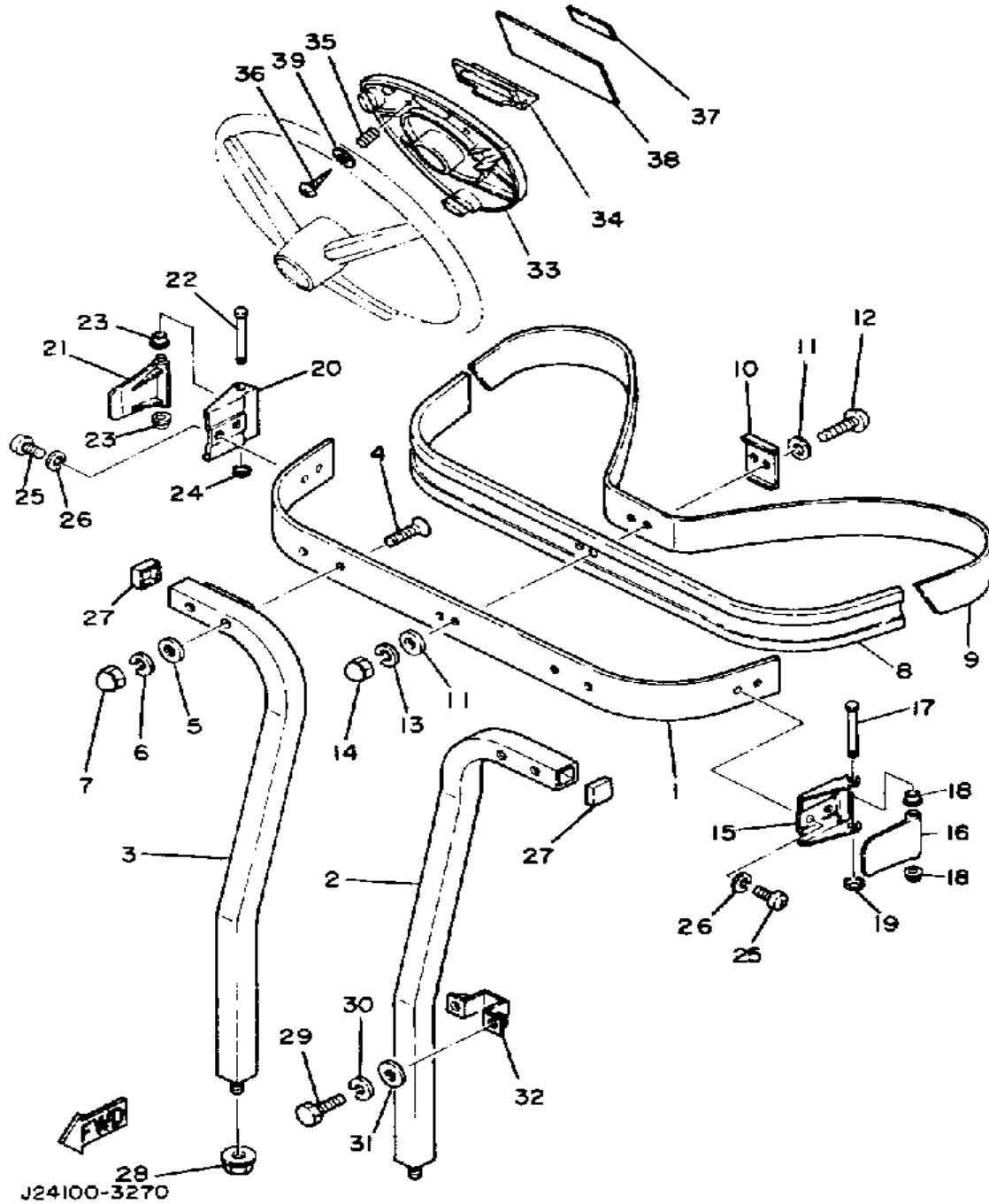
CARRIER



| Ref. No. | Part Number | Description | Qty | Remarks |
|----------|-----------------|-----------------------------------------|-----|-------------|
| 1 | J42-78351-00-00 | SUPPORT, BAG UPPER (J10-78351-00-9E) | 1 | IVORY WHITE |
| 2 | J10-78352-00-00 | SUPPORT, BAG LWR 1 (J10-78352-00-9E) | 1 | IVORY WHITE |
| 3 | J10-78353-00-00 | SUPPORT, BAG LWR 2 (J10-78353-00-9E) | 1 | IVORY WHITE |
| 4 | 98701-08045-00 | SCREW, FLAT HEAD (92701-08045) | 4 | |
| 5 | 90202-08022-00 | WASHER, PLATE | 4 | |
| 6 | 92990-08100-00 | WASHER | 4 | |
| 7 | 95380-08800-00 | NUT, CROWN | 4 | |
| 8 | J10-78356-00-00 | PAD, BAG SUPPORT | 1 | |
| 9 | J10-78355-00-00 | BAND | 1 | |
| 10 | J10-78367-00-00 | PLATE, ANCHOR | 1 | |
| 11 | 92990-06200-00 | WASHER | 4 | |
| 12 | 98980-06016-00 | SCREW, BINDING | 2 | |
| 13 | 92995-06100-00 | WASHER, SPRING | 2 | |
| 14 | 95380-06800-00 | NUT | 2 | |
| 15 | J17-78157-01-00 | BASE, LOCK | 1 | |
| 16 | J17-78368-01-00 | LEVER, LOCK | 1 | |
| 17 | J17-78369-00-00 | PIN, LEVER | 1 | |
| 18 | 90386-06108-00 | BUSH | 2 | |
| 19 | 99080-05600-00 | CIRCLIP | 1 | |
| 20 | J17-78157-01-00 | BASE, LOCK | 1 | |
| 21 | J17-78368-01-00 | LEVER, LOCK | 1 | |
| 22 | J17-78369-00-00 | PIN, LEVER | 1 | |
| 23 | 90386-06108-00 | BUSH | 2 | |
| 24 | 99080-05600-00 | CIRCLIP | 1 | |
| 25 | 98580-06010-00 | SCREW, PAN HEAD (92503-06010) | 4 | |

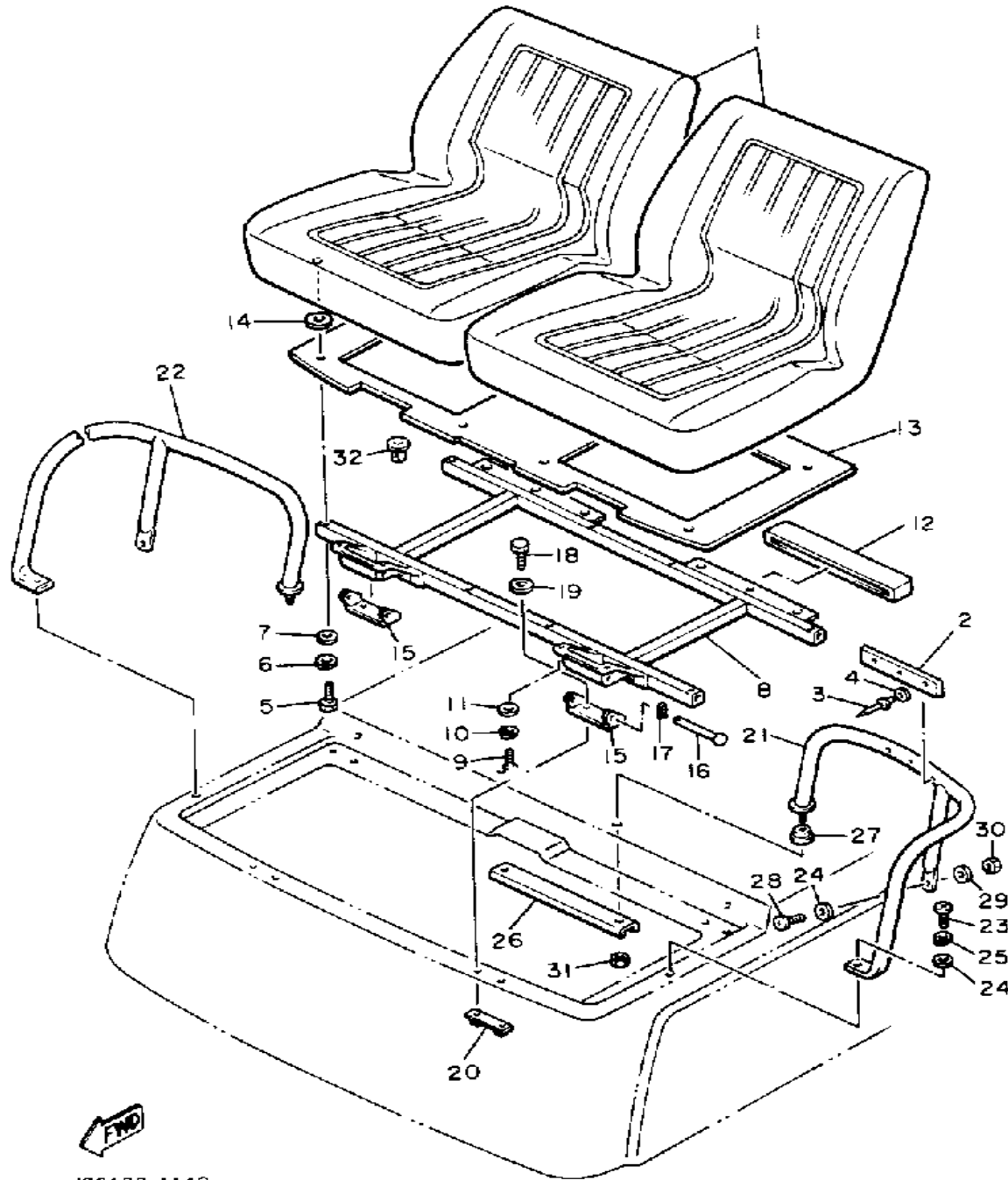
CONTINUED ON NEXT FRAME ►

CARRIER



| Ref. No. | Part Number | Description | Qty | Remarks |
|----------|-----------------|-------------------------|-----|---------|
| 26 | 92995-06100-00 | WASHER, SPRING | 4 | |
| 27 | J10-78139-00-00 | CAP, END | 2 | |
| 28 | 95601-10200-00 | NUT, SELF-LOCKING | 2 | |
| 29 | 97313-06065-00 | BOLT, HEXAGON | 4 | |
| 30 | 92995-06100-00 | WASHER, SPRING | 4 | |
| 31 | 90201-061A5-00 | WASHER, PLATE | 4 | |
| 32 | J10-78366-01-00 | CLAMP, SUPPORT | 2 | |
| 33 | J10-78357-01-00 | HOLDER 1 | 1 | |
| 34 | J10-78358-00-00 | HOLDER 2 | 1 | |
| 35 | 90502-10013-00 | SPRING, CONICAL | 2 | |
| 36 | 97780-50125-00 | SCREW, TAPPING | 2 | |
| 37 | J10-78292-00-00 | EMBLEM 2 | 1 | |
| 38 | J10-77762-01-00 | LABEL, WARNING 2 | 1 | |
| 39 | 92901-05600-00 | WASHER, PLATE | 2 | |

SEAT



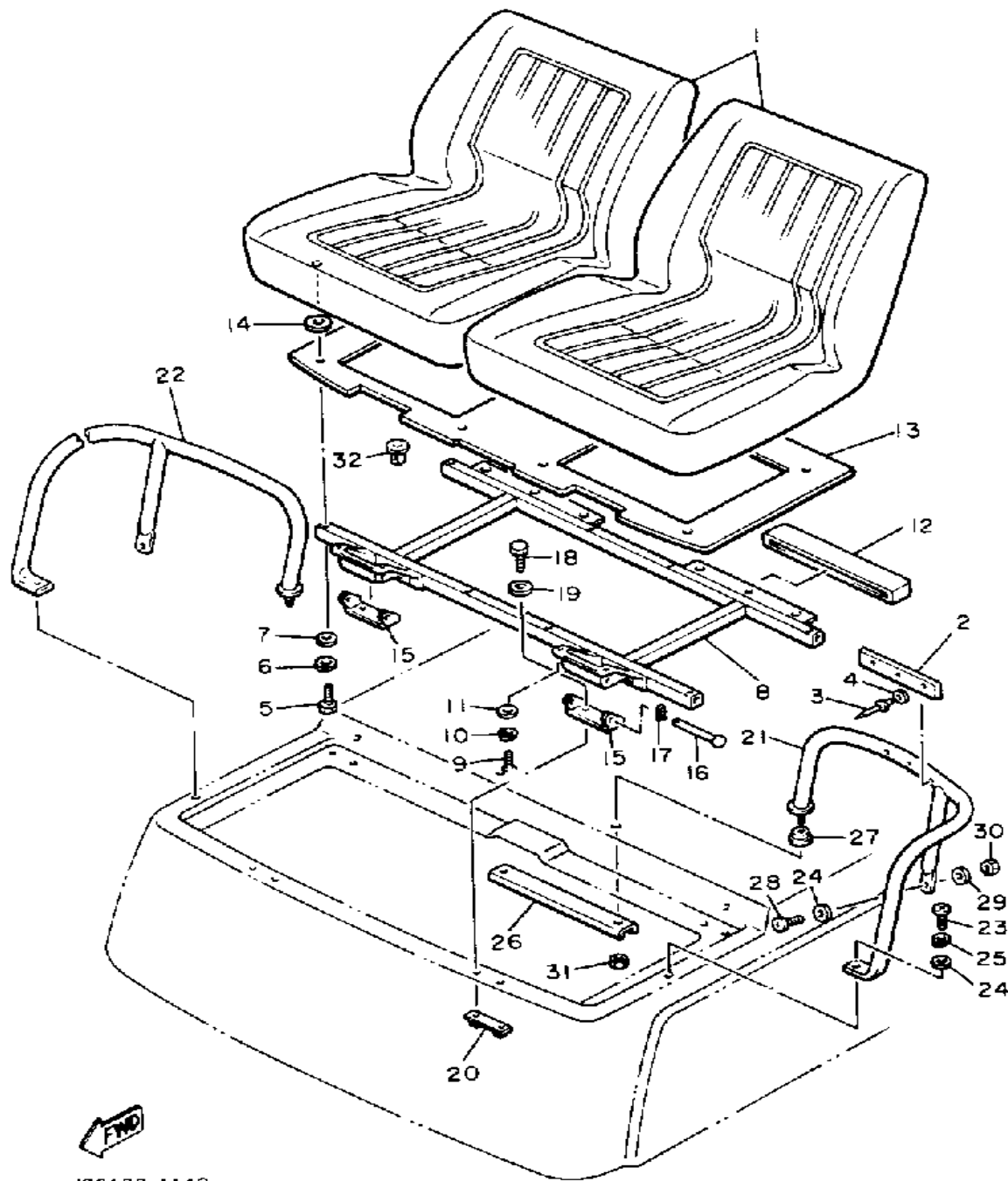
J36100-4-140

| Ref. No. | Part Number | Description | Qty | Remarks |
|----------|-------------------|---------------------------------------|-----|---------|
| 1 | J36-78401-90-00 | SEAT SB/ASSEMBLY, CSHN (J24-78401-01) | 2 | UR |
| 2 | J36-78348-00-00 | SPACER, ARM REST | 2 | |
| 3 | 90267-40075-00 | RIVET, BLIND | 6 | |
| 4 | 90201-047A2-00 | WASHER, PLATE | 6 | |
| 5 | 97003-08040-00 | BOLT (82G) | 8 | |
| 6 | 92990-08100-00 | WASHER | 8 | |
| 7 | 90201-087F0-00 | WASHER, PLATE | 8 | |
| 8 | J36-78421-00-00 | SUPPORT, SEAT | 1 | |
| 9 | 98503-06014-00 | SCREW, PAN HEAD (92502-06016) | 4 | |
| 10 | 92995-06100-00 | WASHER, SPRING | 4 | |
| 11 | 90201-061A5-00 | WASHER, PLATE | 4 | |
| 12 | J36-78433-00-00 | DAMPER, SEAT SUPPOR | 2 | |
| 13 | (J36-78439-00-00) | WASHER, SEAT | 1 | |
| 14 | (J36-78439-00-00) | WASHER, SEAT | 8 | |
| 15 | J36-78426-00-00 | HINGE, SEAT 1 | 2 | |
| 16 | 91702-08092-00 | PIN, CLEVIS | 2 | |
| 17 | 90468-18008-00 | CLIP | 2 | |
| 18 | 97395-06020-00 | BOLT, HEXAGON | 4 | |
| 19 | 90201-065F3-00 | WASHER, PLATE | 4 | |
| 20 | J36-78434-00-00 | NUT, RETAINER | 2 | |
| 21 | J36-78361-00-00 | ARM REST 1 | 1 | |
| 22 | J36-78362-00-00 | ARM REST 2 | 1 | |
| 23 | 98980-08030-00 | SCREW, BIND | 2 | |
| 24 | 92990-08600-00 | WASHER, PLATE | 4 | |
| 25 | 92990-08100-00 | WASHER | 2 | |
| 26 | J24-78346-00-00 | SUPPORT ARM REST | 1 | |
| 27 | J24-78345-00-00 | WASHER, ARM REST | 2 | |

CONTINUED ON NEXT FRAME ►

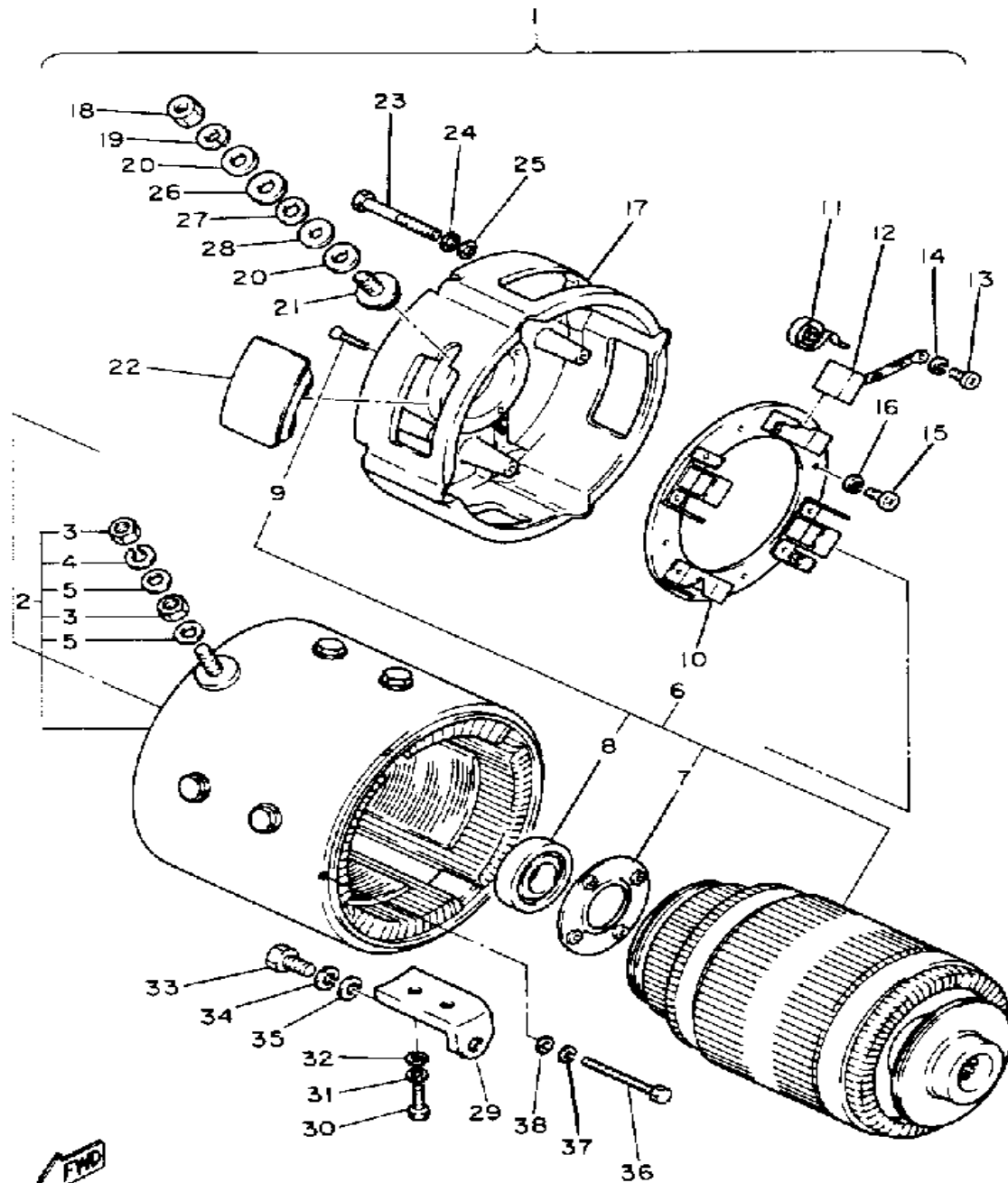
SEAT

| Ref. No. | Part Number | Description | Qty | Remarks |
|----------|----------------|------------------------------|-----|---------|
| 28 | 98980-08025-00 | SCREW, BIND (98902-08025) .. | 2 | |
| 29 | 90201-08310-00 | WASHER, PLATE | 2 | |
| 30 | 95712-08300-00 | NUT, LOCK | 2 | |
| 31 | 95611-08100-00 | NUT, U | 2 | |
| 32 | 90480-35346-00 | GROMMET | 2 | |



J36100-4-140

STARTING MOTOR

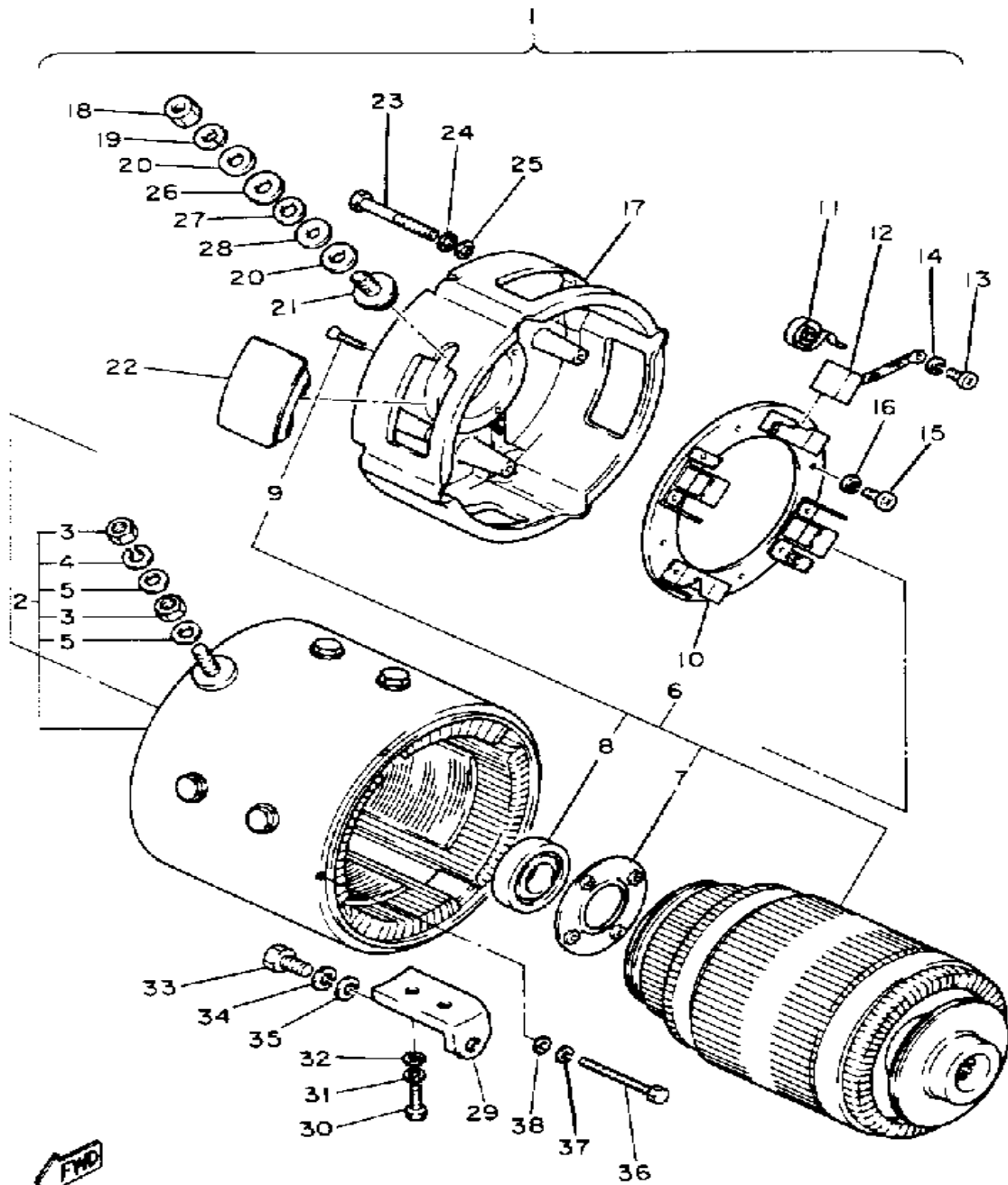


J36100-4150

| Ref. No. | Part Number | Description | Qty | Remarks |
|----------|-----------------|-------------------------------------|-----|---------|
| 1 | JG6-H1890-01-00 | MOTOR ASSEMBLY (JG6-H1890-00-00) | 1 | |
| 2 | J14-81810-10-00 | . STATOR ASS"Y | 1 | |
| 3 | 95333-08600-00 | .. NUT | 4 | |
| 4 | 92990-08100-00 | .. WASHER | 2 | |
| 5 | 92990-08200-00 | .. WASHER, PLAIN | 4 | |
| 6 | J14-81850-10-00 | . ARMATURE ASS"Y | 1 | |
| 7 | J14-81856-10-00 | .. RETAINER | 1 | |
| 8 | J14-81857-10-00 | . BEARING | 1 | |
| 9 | 98701-05020-00 | .. SCREW, FLAT HEAD | 4 | |
| 10 | J14-81840-10-00 | . BRUSH HOLDER ASS"Y | 1 | |
| 11 | J14-81813-10-00 | . SPRING, BRUSH | 4 | |
| 12 | J14-81811-10-00 | . BRUSH 1 | 4 | |
| 13 | 98580-05010-00 | . SCREW, PAN HEAD | 4 | |
| 14 | 92990-05100-00 | . WASHER, SPRING | 4 | |
| 15 | 98580-05016-00 | . SCREW, PAN HEAD | 4 | |
| 16 | 92990-05100-00 | . WASHER, SPRING | 4 | |
| 17 | J14-81822-10-00 | . BRACKET, STARTING MOTOR | 1 | |
| 18 | 95333-08600-00 | . NUT | 2 | |
| 19 | 92990-08100-00 | . WASHER | 2 | |
| 20 | 92990-08200-00 | . WASHER, PLAIN | 2 | |
| 21 | J14-81826-10-00 | . BOLT | 2 | |
| 22 | J14-81842-10-00 | . COVER | 4 | |
| 23 | J14-81828-10-00 | . BOLT 2 | 4 | |
| 24 | 92995-06100-00 | . WASHER, SPRING | 4 | |
| 25 | 90201-061A5-00 | . WASHER, PLATE | 4 | |
| 26 | J14-81843-00-00 | . WASHER 1 | 2 | |
| 27 | J14-81845-00-00 | . PLATE | 2 | |
| 28 | J14-81824-00-00 | . WASHER 2 | 2 | |

CONTINUED ON NEXT FRAME ►

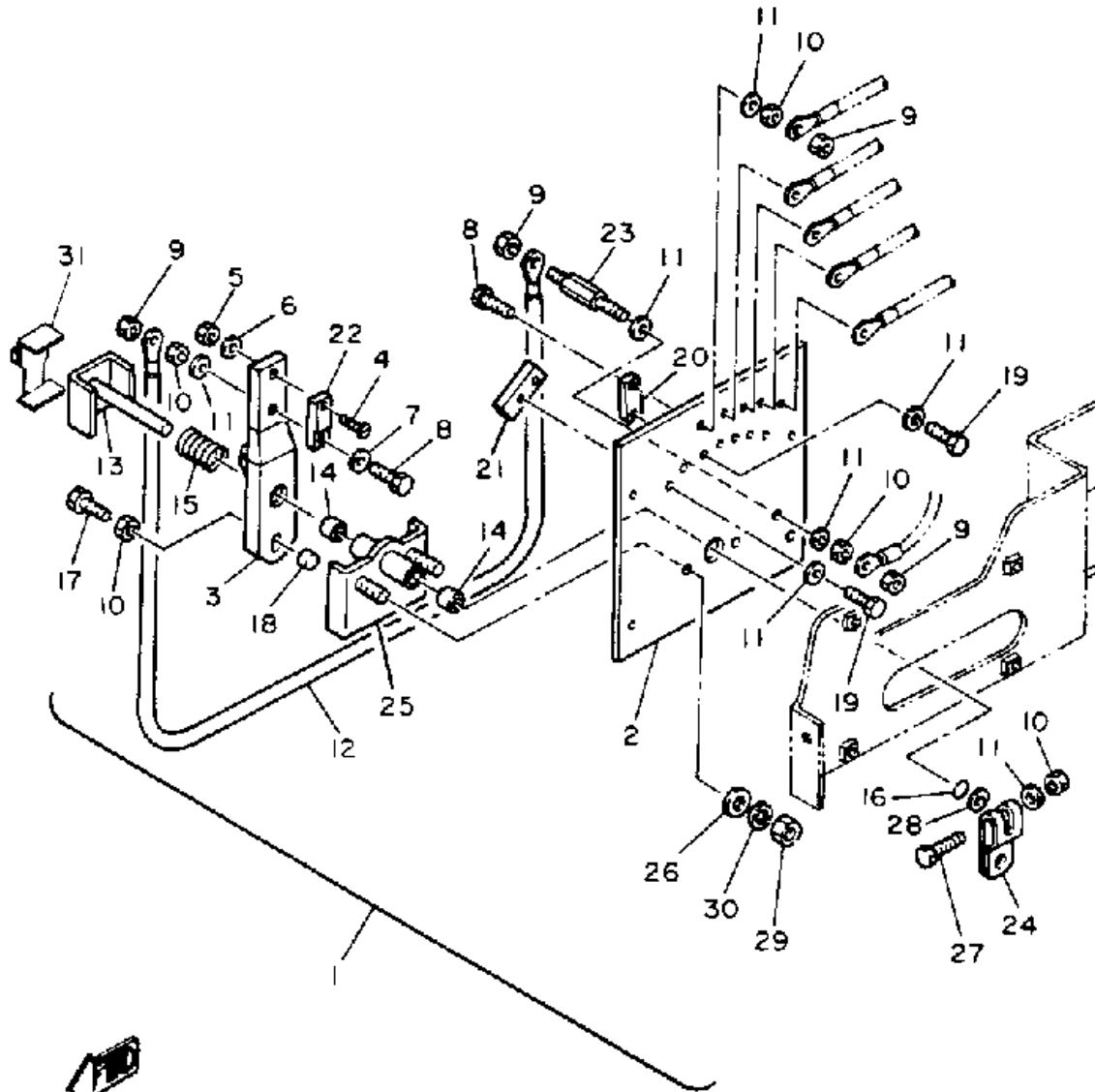
STARTING MOTOR



J36100-4150

| Ref. No. | Part Number | Description | Qty | Remarks |
|----------|-----------------|--------------------------------------|-----|---------|
| 29 | J14-81823-01-00 | STAY, STARTING MTR (J14-81823-00) | 1 | |
| 30 | 97011-06016-00 | BOLT | 2 | |
| 31 | 92995-06100-00 | WASHER, SPRING | 2 | |
| 32 | 90201-061A5-00 | WASHER, PLATE | 2 | |
| 33 | 97011-08016-00 | BOLT | 1 | |
| 34 | 92990-08100-00 | WASHER | 1 | |
| 35 | 92901-08600-00 | WASHER | 1 | |
| 36 | 97313-06055-00 | BOLT, HEXAGON (97322-06055) | 3 | |
| 37 | 92995-06100-00 | WASHER, SPRING | 3 | |
| 38 | 90201-06643-00 | WASHER, PLATE | 3 | |

CONTROLLER 1

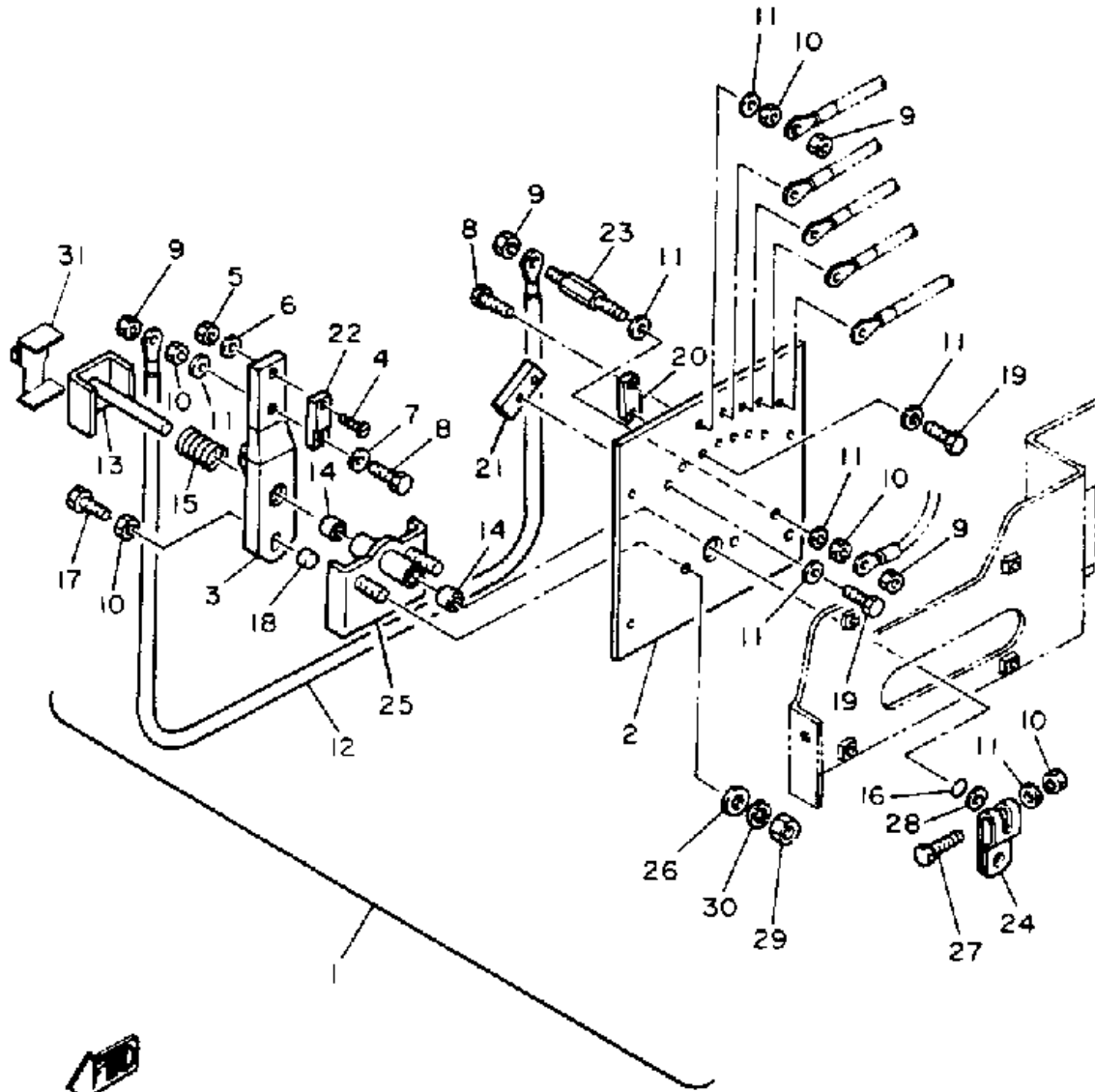


J25100-3170

| Ref. No. | Part Number | Description | Qty | Remarks |
|----------|-----------------|-------------------------------------|-----|---------|
| 1 | J46-86140-00-00 | CONTROLLER ASS'Y (J22-86140-00) | 1 | |
| 2 | J46-86142-00-00 | . BASE, PLATE | 1 | |
| 3 | J22-86152-00-00 | . ARM, MOVING | 1 | |
| 4 | 98701-04016-00 | . SCREW, FLAT HEAD (98702-04016) | 1 | |
| 5 | 95301-04600-00 | . NUT | 1 | |
| 6 | 92902-04300-00 | . WASHER, IN.TOOTH | 1 | |
| 7 | 90201-063F3-00 | . WASHER, PLATE | 1 | |
| 8 | 90101-06469-00 | . BOLT | 7 | |
| 9 | 95320-06600-00 | . NUT | 8 | |
| 10 | 95380-06700-00 | . NUT | 9 | |
| 11 | 92995-06100-00 | . WASHER, SPRING | 16 | |
| 12 | J22-86157-00-00 | . WIRE, LEAD | 1 | |
| 13 | J14-86155-01-00 | . SHAFT, CONTROLLER | 1 | |
| 14 | 90380-10010-00 | . BUSH, SOLID | 2 | |
| 15 | 90501-16573-00 | . SPRING, COMPRESSION | 1 | |
| 16 | 93210-10166-00 | . O-RING | 1 | |
| 17 | 97023-06020-00 | . BOLT (3XF) | 1 | |
| 18 | 90386-05111-00 | . BUSH, SPEC'L NYLON | 1 | |
| 19 | 97013-06012-00 | . BOLT | 7 | |
| 20 | J14-86162-00-00 | . CONTACT, STATE | 5 | |
| 21 | J14-82103-00-00 | . TERMINAL 1 | 1 | |
| 22 | J14-86153-00-00 | . CONTACT, MOVING | 1 | |
| 23 | J22-82104-00-00 | . TERMINAL 2 | 1 | |
| 24 | J14-86144-01-00 | . LEVER, CONTROLLER | 1 | |
| 25 | J14-86156-00-00 | . HOLDER, SHAFT | 1 | |
| 26 | 90201-061A5-00 | . WASHER, PLATE | 2 | |
| 27 | 97021-06030-00 | . BOLT | 1 | |

CONTINUED ON NEXT FRAME ►

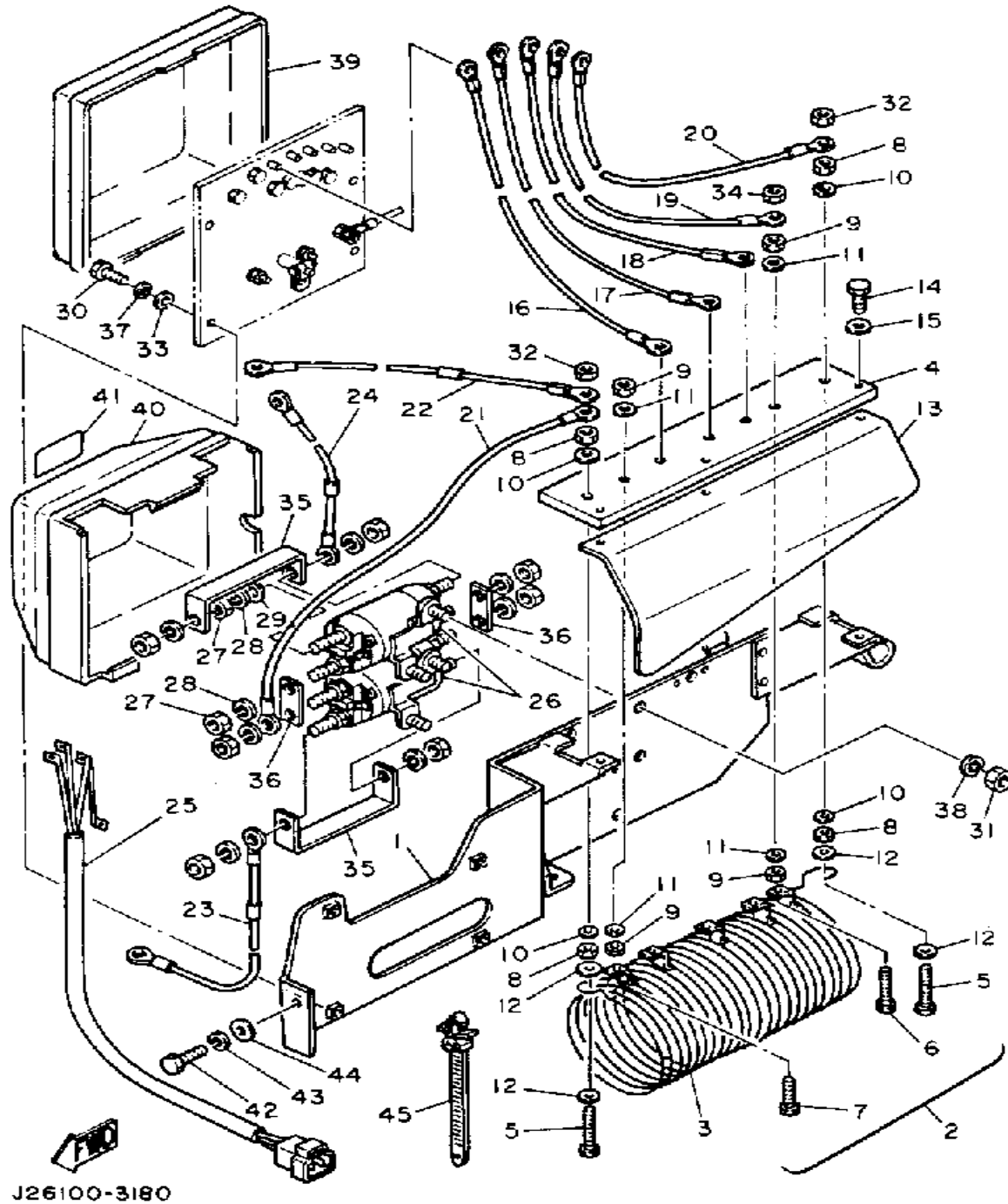
CONTROLLER 1



J25100-3170

| Ref. No. | Part Number | Description | Qty | Remarks |
|----------|-----------------|-----------------------------------|-----|---------|
| 28 | 92990-10200-00 | . WASHER, PLAIN | 1 | |
| 29 | ϵ95-30208-20-00 | . UNAVAILABLE IN PRICE BOOK | 2 | |
| 30 | 92990-08100-00 | . WASHER | 2 | |
| 31 | J22-86158-00-00 | . SPRING, COMPRESSION | 1 | |

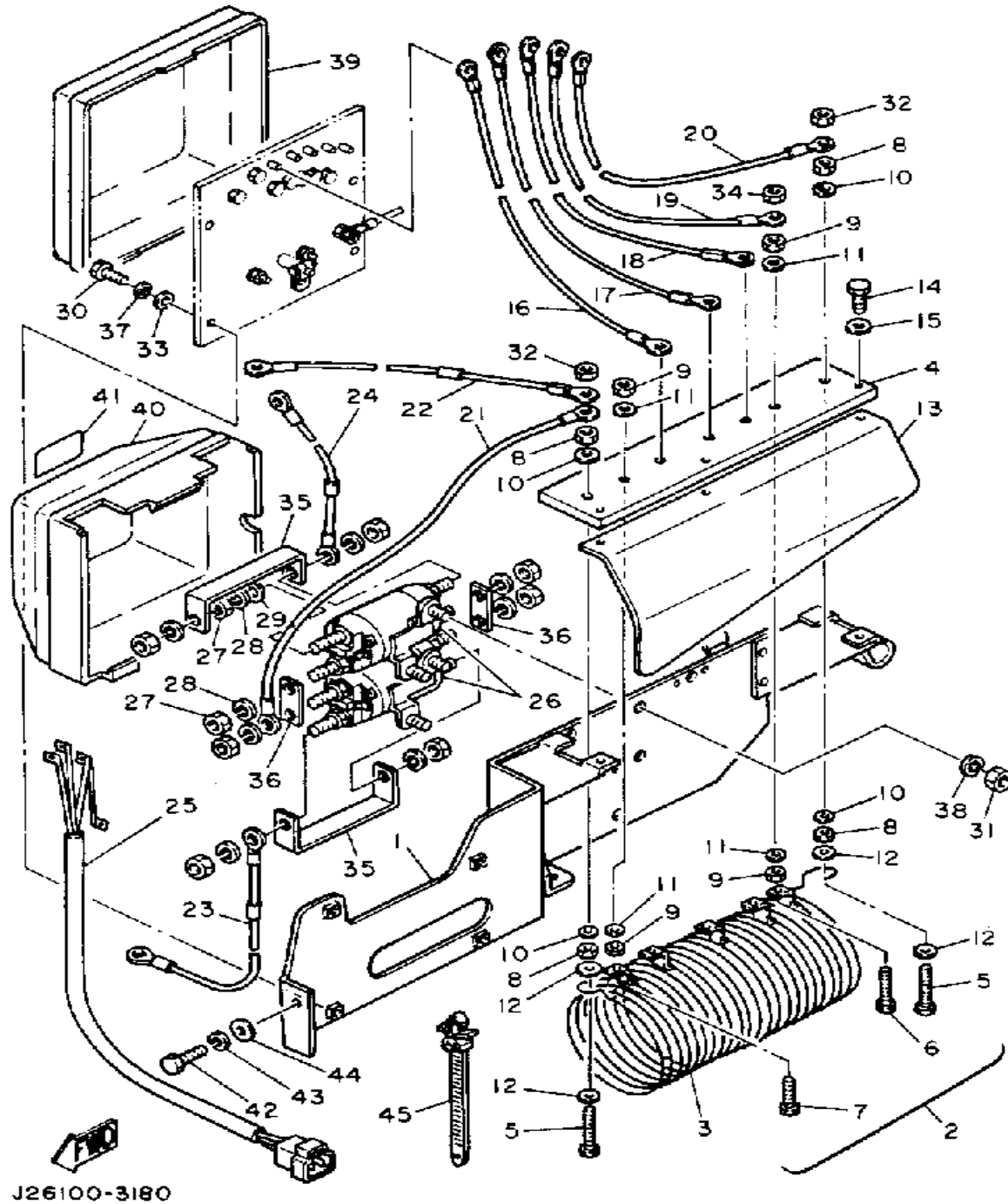
CONTROLLER 2



| Ref. No. | Part Number | Description | Qty | Remarks |
|----------|-----------------|--------------------------------------------|-----|---------|
| 1 | J22-86141-00-00 | PLATE, CONTROLLER | 1 | |
| 2 | J51-85370-00-00 | RESISTOR ASSEMBLY | 1 | |
| 3 | J56-85371-00-00 | . UNAVAILABLE IN PRICE BOOK (J14-85371-00) | 1 | |
| 4 | J14-85378-01-00 | . PLATE, RESISTOR | 1 | |
| 5 | 90101-08470-00 | . BOLT | 2 | |
| 6 | 90101-06469-00 | . BOLT | 4 | |
| 7 | 97011-06025-00 | . BOLT (97001-06025) | 1 | |
| 8 | 95303-08700-00 | . NUT | 4 | |
| 9 | 95380-06700-00 | . NUT | 10 | |
| 10 | 92901-08600-00 | . WASHER | 4 | |
| 11 | 90201-061A5-00 | . WASHER, PLATE | 10 | |
| 12 | 90201-083F1-00 | . WASHER, PLATE | 4 | |
| 13 | J14-85379-00-00 | COVER, RESISTOR | 1 | |
| 14 | 97023-06020-00 | BOLT (3XF) | 3 | |
| 15 | 90201-061A5-00 | WASHER, PLATE | 3 | |
| 16 | J14-86175-00-00 | WIRE, LEAD 5 | 1 | |
| 17 | J14-86175-00-00 | WIRE, LEAD 5 | 1 | |
| 18 | J14-86175-00-00 | WIRE, LEAD 5 | 1 | |
| 19 | J14-86175-00-00 | WIRE, LEAD 5 | 1 | |
| 20 | J14-86175-00-00 | WIRE, LEAD 5 | 1 | |
| 21 | J14-86175-00-00 | WIRE, LEAD 5 | 1 | |
| 22 | J14-86175-00-00 | WIRE, LEAD 5 | 1 | |
| 23 | J14-86175-00-00 | WIRE, LEAD 5 | 1 | |
| 24 | J22-82531-00-00 | WIRE, LEAD | 1 | |
| 25 | J22-86177-00-00 | WIRE, LEAD 7 | 1 | |
| 26 | J22-81950-01-00 | RELAY ASSEMBLY | 2 | |
| 27 | 95303-08700-00 | . NUT | 8 | |
| 28 | 92990-08100-00 | . WASHER | 8 | |

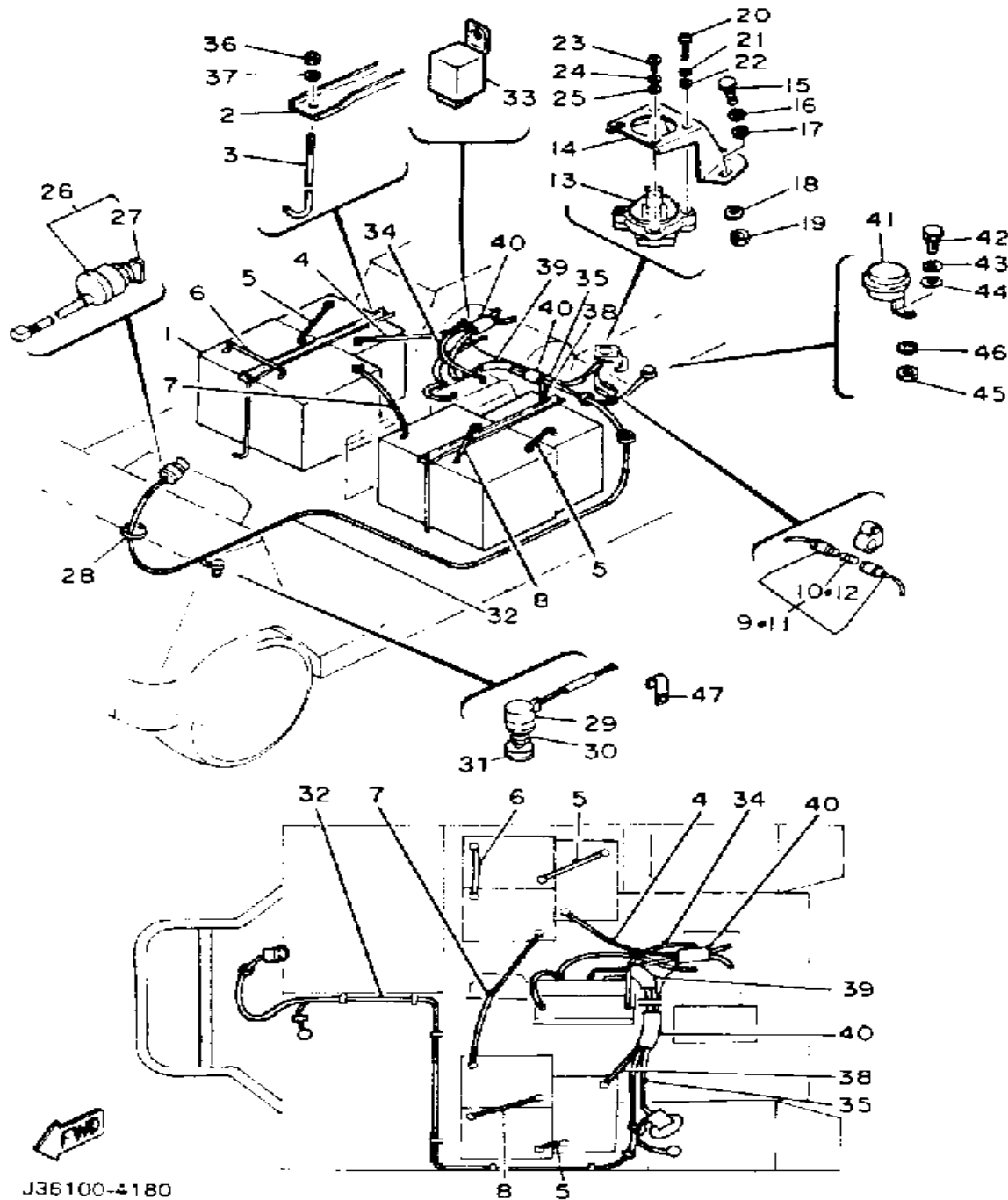
CONTINUED ON NEXT FRAME ►

CONTROLLER 2



| Ref. No. | Part Number | Description | Qty | Remarks |
|----------|-------------------|----------------------------|-----|---------|
| 29 | 92901-08600-00 | . WASHER | 4 | |
| 30 | 97313-06016-00 | BOLT, HEXAGON | 4 | |
| 31 | 95303-08700-00 | NUT | 4 | |
| 32 | 95333-08600-00 | NUT | 2 | |
| 33 | 90201-061A5-00 | WASHER, PLATE | 4 | |
| 34 | 95320-06600-00 | NUT | 4 | |
| 35 | J17-86126-00-00 | PLATE, CONNECTING 1 | 2 | |
| 36 | J17-86127-00-00 | PLATE, CONNECTING 2 | 2 | |
| 37 | 92995-06100-00 | WASHER, SPRING | 4 | |
| 38 | 92990-08100-00 | WASHER | 4 | |
| 39 | J56-H6163-00-00 | COVER, CONTROLLER | 1 | |
| 40 | J56-H1942-00-00 | COVER (J22-81942-00) | 1 | |
| 41 | (J22-84306-00-00) | LABEL, CAUTION | 1 | |
| 42 | 97011-08016-00 | BOLT | 2 | |
| 43 | 92990-08100-00 | WASHER | 2 | |
| 44 | 92901-08600-00 | WASHER | 2 | |
| 45 | 90464-12036-00 | CLAMP | 3 | |
| | J17-81920-19-00 | SOLENOID REBLD KIT | | |

ELECTRICAL 1

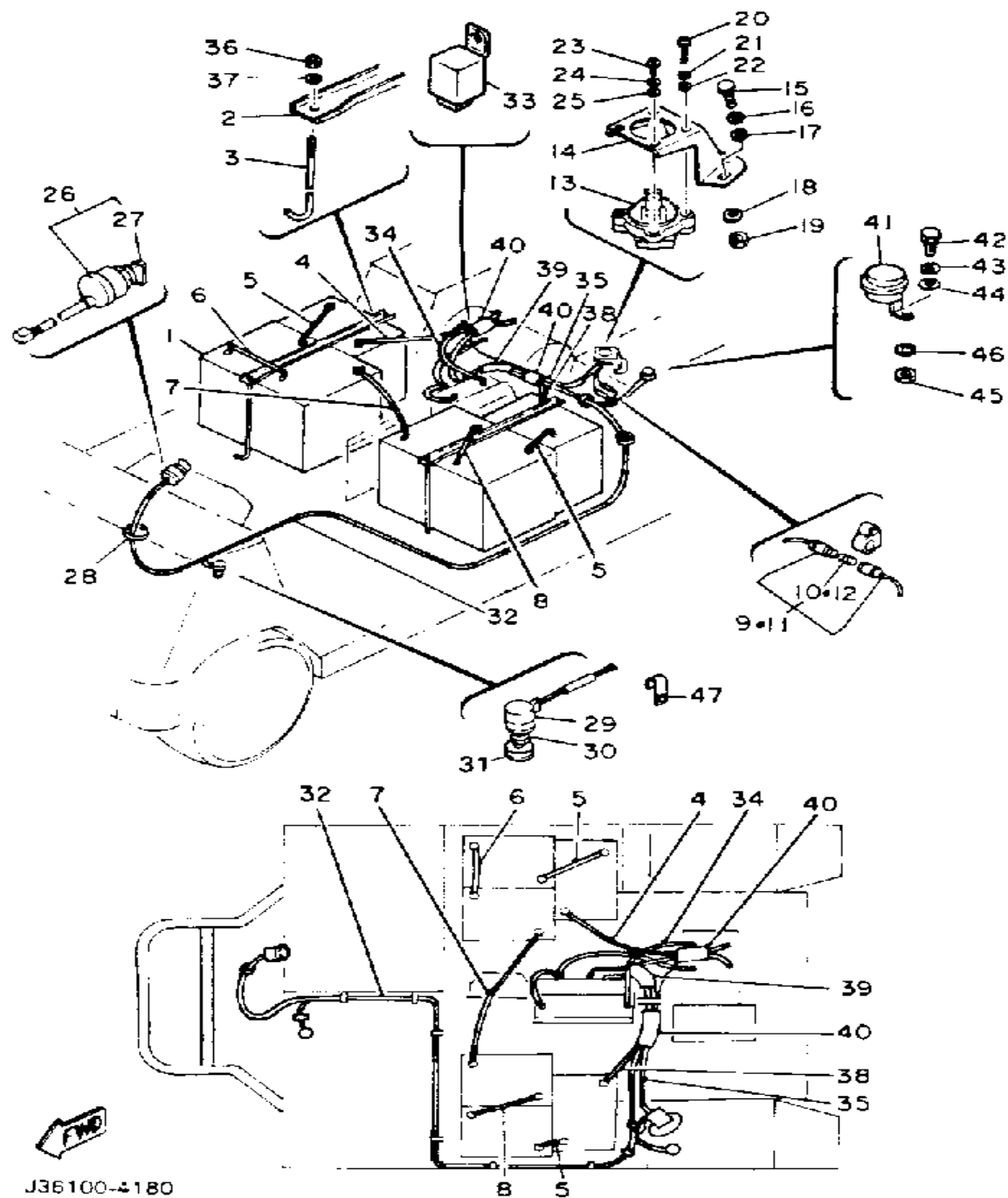


| Ref. No. | Part Number | Description | Qty | Remarks |
|----------|-----------------|-------------------------------------------|-----|---------------|
| 1 | *--- | FRONT WHEEL ASSEMBLY .. | 6 | LM (SEE NOTE) |
| 2 | J14-82136-00-00 | PLATE, BATT FITTING | 2 | |
| 3 | J14-82133-01-00 | SCREW, FITTING | 4 | |
| 4 | J56-H2116-00-00 | WIRE, MINUS LEAD (J14-82116-00) | 1 | |
| 5 | J56-H2117-00-00 | WIRE, LEAD | 2 | |
| 6 | J56-H2127-00-00 | WIRE, LEAD 2 | 1 | |
| 7 | J56-H2149-00-00 | WIRE, LEAD 3 | 1 | |
| 8 | J56-H2127-00-00 | WIRE, LEAD 2 | 1 | |
| 9 | 1E6-82150-00-00 | FUSE HOLDER ASSEMBLY ... | 1 | |
| 10 | 1E6-82151-00-00 | . FUSE (10A) | 2 | |
| 11 | 1E6-82150-00-00 | FUSE HOLDER ASSEMBLY ... | 1 | |
| 12 | 1E6-82151-00-00 | . FUSE (10A) | 2 | |
| 13 | JF3-86181-00-00 | RECEPTACLE | 1 | |
| 14 | J22-86182-00-00 | STAY RECEPTACLE | 1 | |
| 15 | 97313-06016-00 | BOLT, HEXAGON | 3 | |
| 16 | 92995-06100-00 | WASHER, SPRING | 3 | |
| 17 | 90201-061A5-00 | WASHER, PLATE | 3 | |
| 18 | 90201-06643-00 | WASHER, PLATE | 3 | |
| 19 | 95380-06600-00 | NUT | 3 | |
| 20 | 98506-05035-00 | SCREW, PAN HEAD | 2 | |
| 21 | 92906-05100-00 | WASHER, SPRING | 2 | |
| 22 | 92906-05600-00 | WASHER, PLATE | 2 | |
| 23 | 98586-05016-00 | SCREW, PAN HEAD | 2 | |
| 24 | 92906-05100-00 | WASHER, SPRING | 2 | |
| 25 | 92906-05600-00 | WASHER, PLATE | 2 | |
| 26 | J22-82508-00-00 | MAIN SWITCH ASSEMBLY (J14-82508-00) | 1 | |
| 27 | J17-82511-20-00 | . KEY, MAIN SWITCH | 2 | |

CONTINUED ON NEXT FRAME ►

J36100-4180

ELECTRICAL 1



| Ref. No. | Part Number | Description | Qty | Remarks |
|----------|-----------------|-----------------------------|-----|---------|
| 28 | 25G-83936-01-00 | BAND, SWITCH CORD | 1 | |
| 29 | J14-82530-00-00 | STOP SWITCH ASSEMBLY ... | 1 | |
| 30 | 95303-10700-00 | . NUT | 1 | |
| 31 | J10-82532-00-00 | . CAP, RUBBER | 1 | |
| 32 | J36-82590-00-00 | WIRE HARNESS ASSEMBLY .. | 1 | |
| 33 | J36-81950-00-00 | RELAY ASSEMBLY | 1 | |
| 34 | J56-H2117-00-00 | WIRE, LEAD | 1 | |
| 35 | J14-81315-00-00 | LEAD WIRE ASSEMBLY | 1 | |
| 36 | 95701-06300-00 | NUT, NYLON | 4 | |
| 37 | 90201-06067-00 | WASHER, PLATE | 4 | |
| 38 | J14-82531-00-00 | WIRE, LEAD | 1 | |
| 39 | J55-H7196-00-00 | TUBE 1 (J38-87196-00) | 1 | |
| 40 | J56-H7198-00-00 | TUBE 2 (J22-87197-00) | 2 | |
| 41 | J14-83383-01-00 | BUZZER | 1 | |
| 42 | 97313-06016-00 | BOLT, HEXAGON | 1 | |
| 43 | 92995-06100-00 | WASHER, SPRING | 1 | |
| 44 | 90201-061A5-00 | WASHER, PLATE | 1 | |
| 45 | 95380-06600-00 | NUT | 1 | |
| 46 | 90201-06043-00 | WASHER, PLATE | 1 | |
| 47 | 90465-08028-00 | CLAMP | 1 | |

J36100-4180