



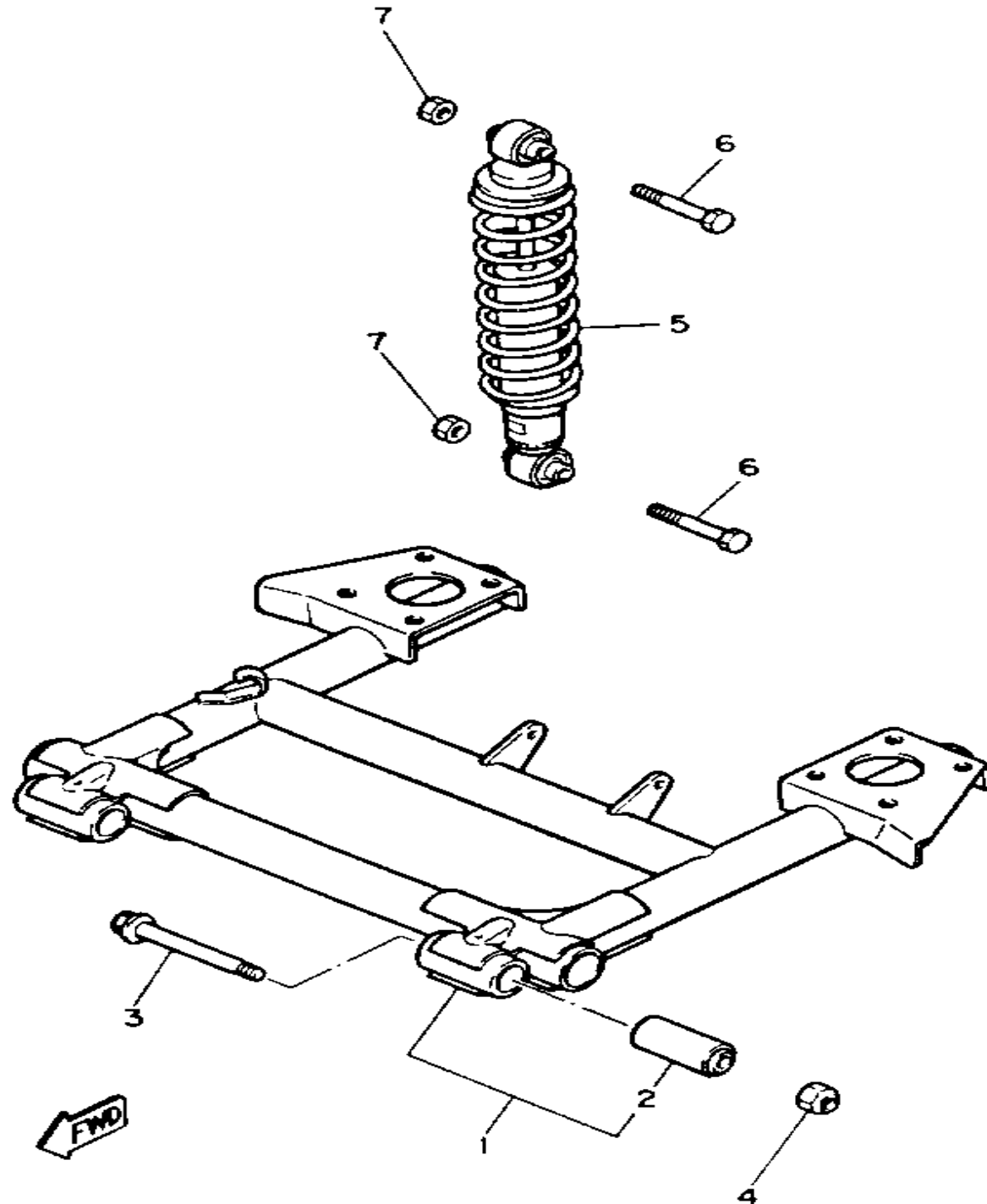
**YAMAHA**

**GENUINE**

**PARTS CATALOGUE**

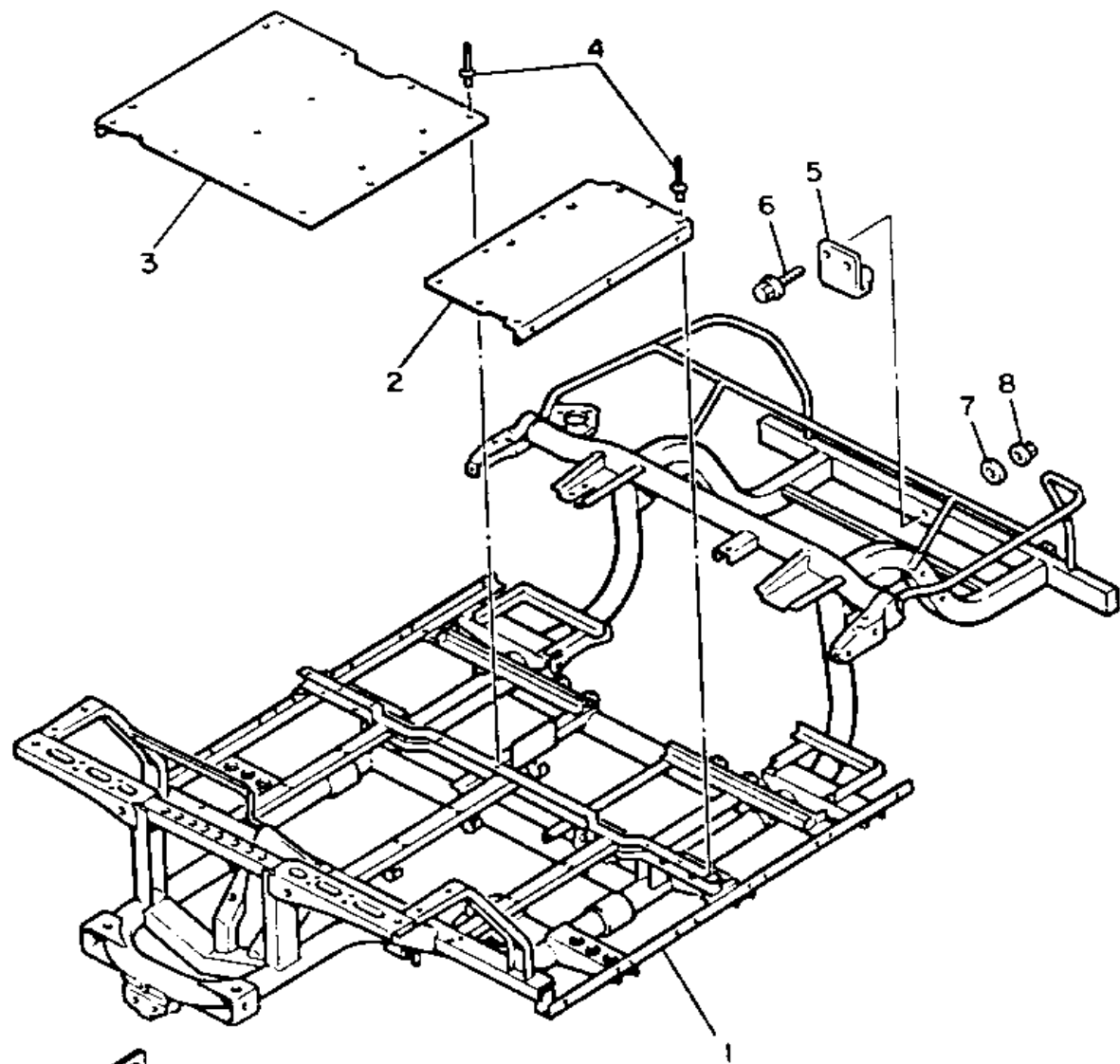
**GOLF CAR**

## REAR SHOCKS



Ref. No.	Part Number	Description	Qty	Remarks
1	J56-F2110-W0-00	REAR ARM COMP. (J56-F2110-00-00)	1	
2	J10-22123-00-00	. BUSH 1	2	
3	90105-10359-00	BOLT, WASHER BASED	2	
4	90185-10115-00	NUT, SELF-LOCKING	2	
5	JG6-F2210-00-00	SHOCK ABSORBER ASSEMBLY, REAR	2	
6	97012-10050-00	BOLT (97002-10050-00)	4	
7	95601-10100-00	NUT, U (95602-10100-00)	4	

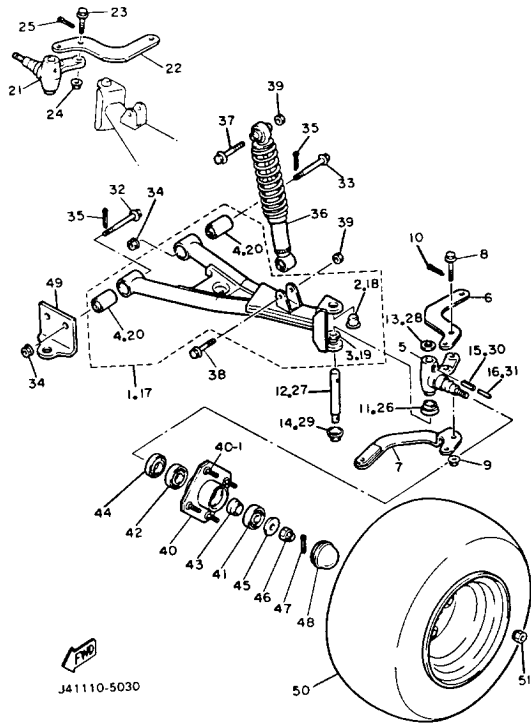
# FRAME



J41110-5021

Ref. No.	Part Number	Description	Qty	Remarks
1	J56-F2501-00-00	FRAME COMP. (J41-22501-01)	1	
2	J55-F2571-00-00	PANEL 1	1	
3	J55-F2572-00-00	PANEL 2	1	
4	90267-40054-00	RIVET, BLIND	20	
5	ABA-JF286-00-00	REAR HITCH	1	
6	95811-08050-00	BOLT, FLANGE (95812-08050)	2	
7	90201-08730-00	WASHER, PLATE	2	
8	95701-08500-00	NUT, FLANGE	2	

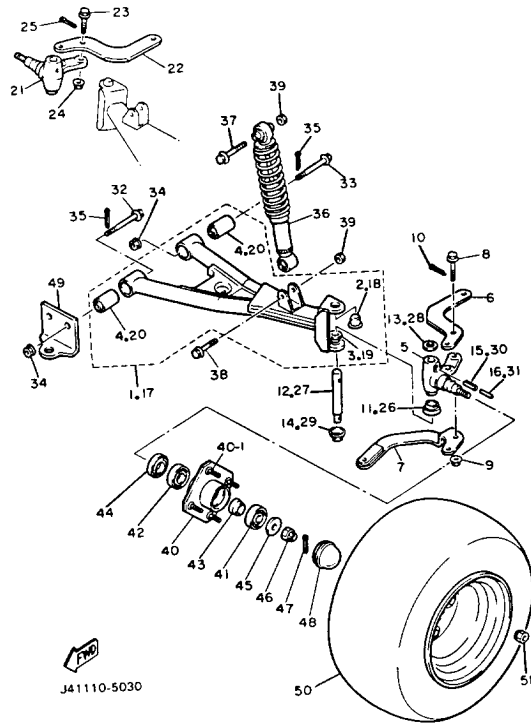
# FRONT SUSPENSION - WHEEL



Ref. No.	Part Number	Description	Qty	Remarks
1	J38-23507-01-00	FRONT LOWER ARM SUB-ASS'Y (L.H) (J38-23507-00)	1	
2	90338-17225-00	. PLUG	1	
3	90386-15139-00	. BUSH	1	
4	J38-23526-00-00	. BUSH	2	
5	J38-23511-01-00	KNUCKLE, STEERING 1	1	
6	J38-23512-02-00	ARM, KNUCKLE 1	1	
7	ABA-JF288-00-00	ARM, STEERING (J41-23532-00)	1	
8	90105-10366-00	BOLT, WASHER BASED	2	
9	90185-10115-00	NUT, SELF-LOCKING	2	
10	91401-25020-00	PIN, COTTER	2	
11	J38-23527-00-00	SEAL, DUST	1	
12	J38-23516-00-00	PIN, STEERING KNUCKLE	1	
13	90201-156J2-00	WASHER, PLAIN	1	
14	J38-23528-00-00	SEAL, DUST	1	
15	91609-60028-00	PIN, SPRING	1	
16	91609-35028-00	PIN, SPRING	1	
17	J38-23508-01-00	FRONT LOWER ARM SUB-ASS'Y (R.H) (J38-23508-00)	1	
18	90338-17225-00	. PLUG	1	
19	90386-15139-00	. BUSH	1	
20	J38-23526-00-00	. BUSH	2	
21	J38-23521-01-00	KNUCKLE, STEERING 2	1	
22	J38-23512-02-00	ARM, KNUCKLE 1	1	
23	90105-10360-00	BOLT, FLANGE	2	
24	90185-10115-00	NUT, SELF-LOCKING	2	
25	91401-25020-00	PIN, COTTER	2	
26	J38-23527-00-00	SEAL, DUST	1	
27	J55-F3516-00-00	KING PIN, STEERING KNUCKLE	1	

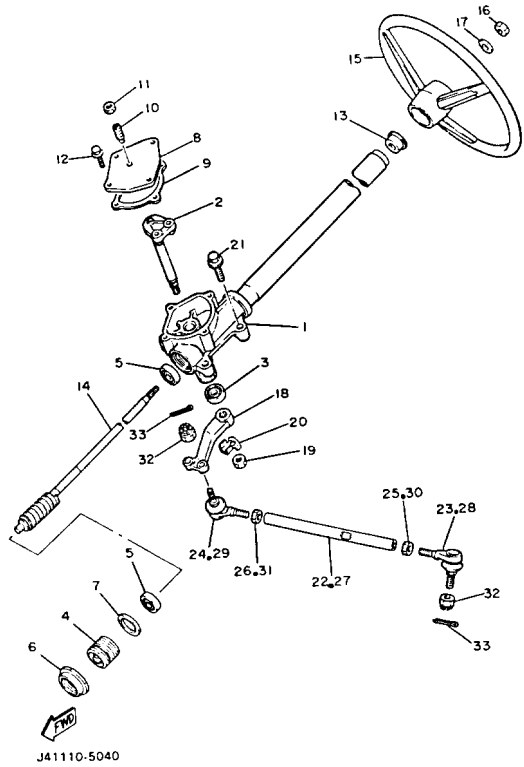
CONTINUED ON NEXT FRAME ➤

# FRONT SUSPENSION - WHEEL



Ref. No.	Part Number	Description	Qty	Remarks
28	90201-156J2-00	WASHER, PLAIN	2	
29	J38-23528-00-00	SEAL, DUST	1	
30	91609-60028-00	PIN, SPRING	1	
31	91609-35028-00	PIN, SPRING	1	
32	90105-10358-00	BOLT, WASHER BASED	2	
33	90105-10357-00	BOLT, FLANGE	2	
34	90185-10115-00	NUT, SELF-LOCKING	4	
35	91401-25020-00	PIN, COTTER	4	
36	JG6-F3350-00-00	SHOCK ABSORBER ASSEMBLY	2	
37	97002-10065-00	BOLT	2	
38	97012-10050-00	BOLT (97002-10050-00)	2	
39	95601-10100-00	NUT, U (95602-10100-00)	4	
40	J38-W2511-00-00	HUB, FRONT	2	
41	93306-20437-00	BEARING	2	
42	93306-00511-00	BEARING	2	
43	90387-241M7-00	COLLAR	2	
44	93102-30083-00	SEAL, OIL	2	
45	90209-32271-00	WASHER	2	
46	95601-14100-00	NUT, U (95602-14100-00)	2	
47	91401-25020-00	PIN, COTTER	2	
48	J17-25118-00-00	COVER, HUB DUST	2	
49	J41-23881-02-00	BRACKET 1 (J41-23881-01)	1	
50	J55-F5100-00-00	FRONT WHEEL ASSEMBLY	2	
51	90179-12262-00	NUT	8	
40-1	90114-12003-00	BOLT, RIBBED NECK	8	

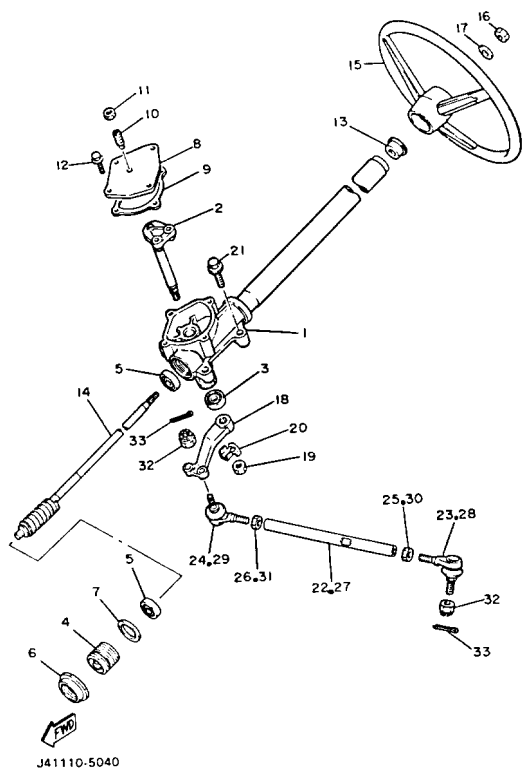
# STEERING



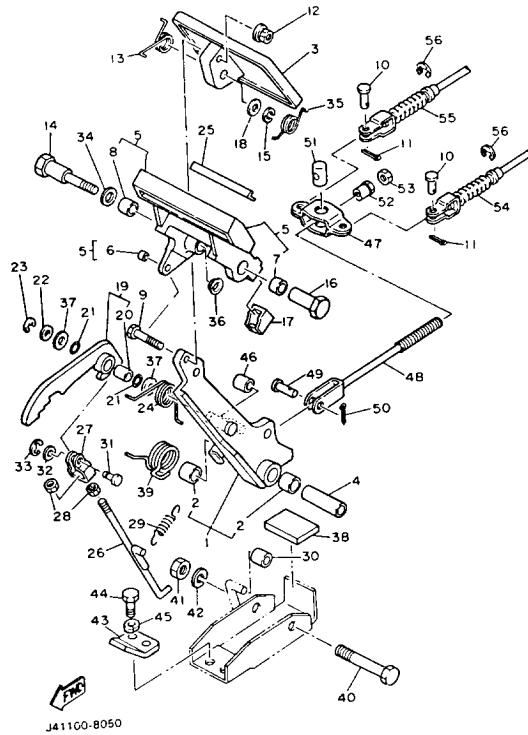
Ref. No.	Part Number	Description	Qty	Remarks
1	J55-F3811-00-00	COLUMN, STEERING (J38-23811-00)	1	
2	J38-23816-00-00	ARM, PITMAN	1	
3	93102-22087-00	OIL SEAL	1	
4	J55-F3876-00-00	BOLT	1	
5	93332-00010-00	BEARING	2	
6	J10-23877-00-00	NUT	1	
7	J10-23444-00-00	WASHER	1	
8	J55-23818-00-00	COVER, STEERING	1	
9	J38-23462-00-00	SEAL, STEERING (J38-23462-01-00)	1	
10	J10-23459-00-00	BOLT	1	
11	90170-08024-00	NUT, HEX.	1	
12	95811-06020-00	BOLT, FLANGE	4	
13	J38-23814-00-00	HOLDER, HANDLE UPPER	1	
14	J10-23840-00-00	STEERING SHAFT	1	
15	J55-F3838-00-00	WHEEL, STEERING (J10-23838-00)	1	
16	90185-12119-00	NUT, SELF-LOCKING	1	
17	92990-12200-00	WASHER, PLAIN	1	
18	J38-23826-01-00	ARM, IDLER	1	
19	95701-16300-00	NUT, FLANGE	1	
20	90215-16252-00	WASHER, TONGUE	1	
21	95811-10050-00	BOLT, FLANGE (95812-10050-00)	4	
22	J38-23831-02-00	ROD, TIE	1	
23	J38-23841-01-00	JOINT, UNIVERSAL 1	1	
24	J38-23845-01-00	JOINT, UNIVERSAL 2	1	
25	90170-12055-00	NUT	1	
26	90170-12054-00	NUT	1	

CONTINUED ON NEXT FRAME ►

# STEERING



Ref. No.	Part Number	Description	Qty	Remarks
27	J38-23837-02-00	ROD, TIE 2	1	
28	J38-23841-01-00	JOINT, UNIVERSAL 1	1	
29	J38-23845-01-00	JOINT, UNIVERSAL 2	1	
30	90170-12055-00	NUT	1	
31	90170-12054-00	NUT	1	
32	95601-10100-00	NUT, U (95602-10100-00)	4	
33	91401-25020-00	PIN, COTTER	4	

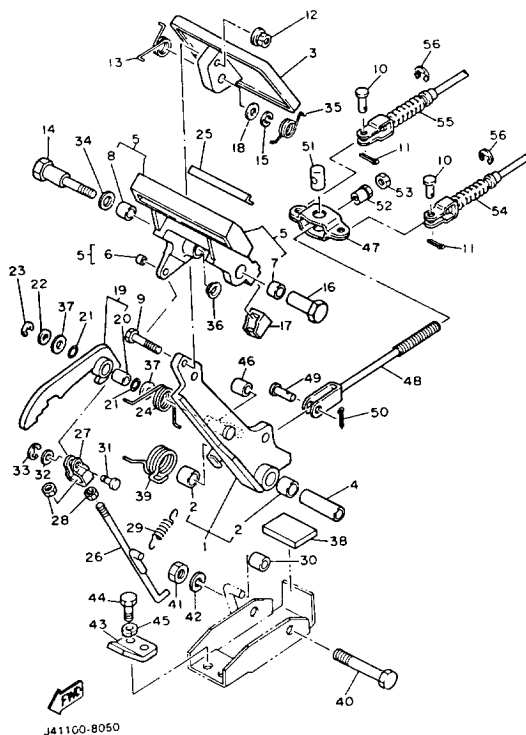


# BRAKE

Ref. No.	Part Number	Description	Qty	Remarks
1	92990-10600-00	. WASHER, PLATE .....	1	
	99080-07600-00	. CIRCLIP (E) .....	1	
	99999-01757-00	<b>BRAKE ARM CMLPT (J17-27250-01) .....</b>	1	
2	90384-14080-00	. BUSH, BIMETAL .....	2	
3	J10-27211-00-00	PEDAL, BRAKE .....	1	
4	90387-107F8-00	COLLAR .....	1	
5	99999-01799-00	<b>PARKING PEDAL COMP. (J17-25670-00) .....</b>	1	
	J17-25670-01-00	. PARKING PEDAL COMP. ....	1	
	J17-25679-01-00	. DAMPER .....	2	
6	90384-05163-00	. BUSH, BIMETAL .....	1	
7	90384-12164-00	. BUSH, BIMETAL .....	1	
8	90380-12051-00	. BUSH, SOLID .....	1	
9	90101-06555-00	BOLT, HEX. ....	1	
10	92990-06200-00	WASHER .....	1	
11	92995-06100-00	WASHER, SPRING .....	1	
12	95380-06600-00	NUT .....	1	
13	90508-23542-00	SPRING, TORSION .....	1	
14	90109-08669-00	BOLT .....	1	
15	92990-08100-00	WASHER .....	1	
16	90179-08378-00	NUT .....	1	
17	J17-25679-01-00	DAMPER .....	2	
18	92990-08200-00	WASHER, PLAIN .....	1	
19	J17-W2561-00-00	SECTOR, PARKING BRAKE ..	1	
20	90384-10162-00	. BUSH, BIMETAL .....	1	
21	J17-27221-00-00	SEAL, SHAFT .....	2	
22	92990-10600-00	WASHER, PLATE .....	1	
23	99080-07600-00	CIRCLIP (E) .....	1	

CONTINUED ON NEXT FRAME ►

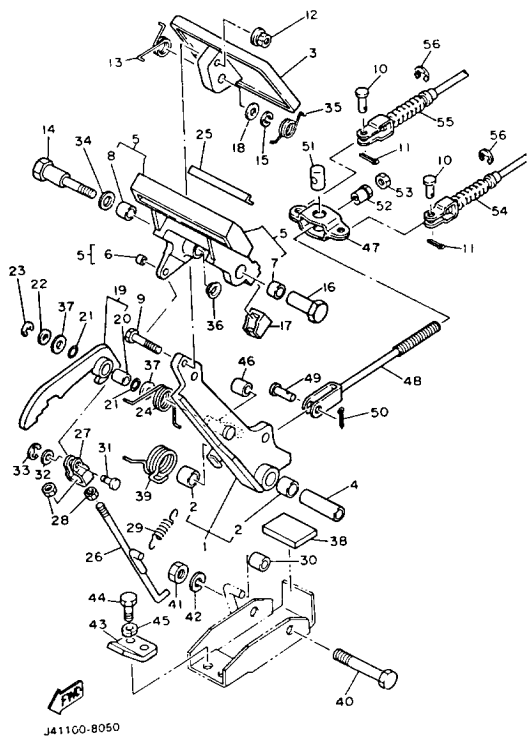
# BRAKE



Ref. No.	Part Number	Description	Qty	Remarks
24	90508-14548-00	SPRING, TORSION	1	
25	J17-25672-00-00	PAD, PARKING PEDAL	1	
26	J17-27231-00-00	ROD, BRAKE	1	
27	J17-27232-00-00	END, ROD	2	
28	95380-06700-00	NUT	2	
29	90506-12277-00	SPRING, TENSION	2	
30	J17-25673-00-00	DAMPER, BRAKE	1	
31	J17-27228-00-00	PIN, LINK JOINT	1	
32	92901-05600-00	WASHER, PLATE	1	
33	99080-04600-00	CIRCLIP (E)	1	
34	90201-123F2-00	WASHER, PLAIN	1	
35	90508-26557-00	SPRING, TORSION	1	
36	90380-12105-00	BUSH, SOLID	1	
37	90201-104G8-00	WASHER, PLAIN	2	
38	J17-27245-00-00	PAD, BRAKE PEDAL	1	
39	90508-40543-00	SPRING, TORSION	1	
40	90101-10447-00	BOLT, HEX.	1	
41	95601-10100-00	NUT, U (95602-10100-00)	1	
42	92901-10100-00	WASHER, SPRING	1	
43	J17-27246-00-00	NAIL, BRAKE	1	
44	97313-08020-00	BOLT, HEXAGON	2	
45	92990-08100-00	WASHER	2	
46	J17-25673-00-00	DAMPER, BRAKE	1	
47	J10-25681-00-00	EQUALIZER, BRAKE	1	
48	J20-25685-00-00	ROD	1	
49	91701-10022-00	PIN	1	
50	91490-30020-00	PIN, COTTER	1	
51	90249-14129-00	PIN	1	
52	90179-08261-00	NUT	1	

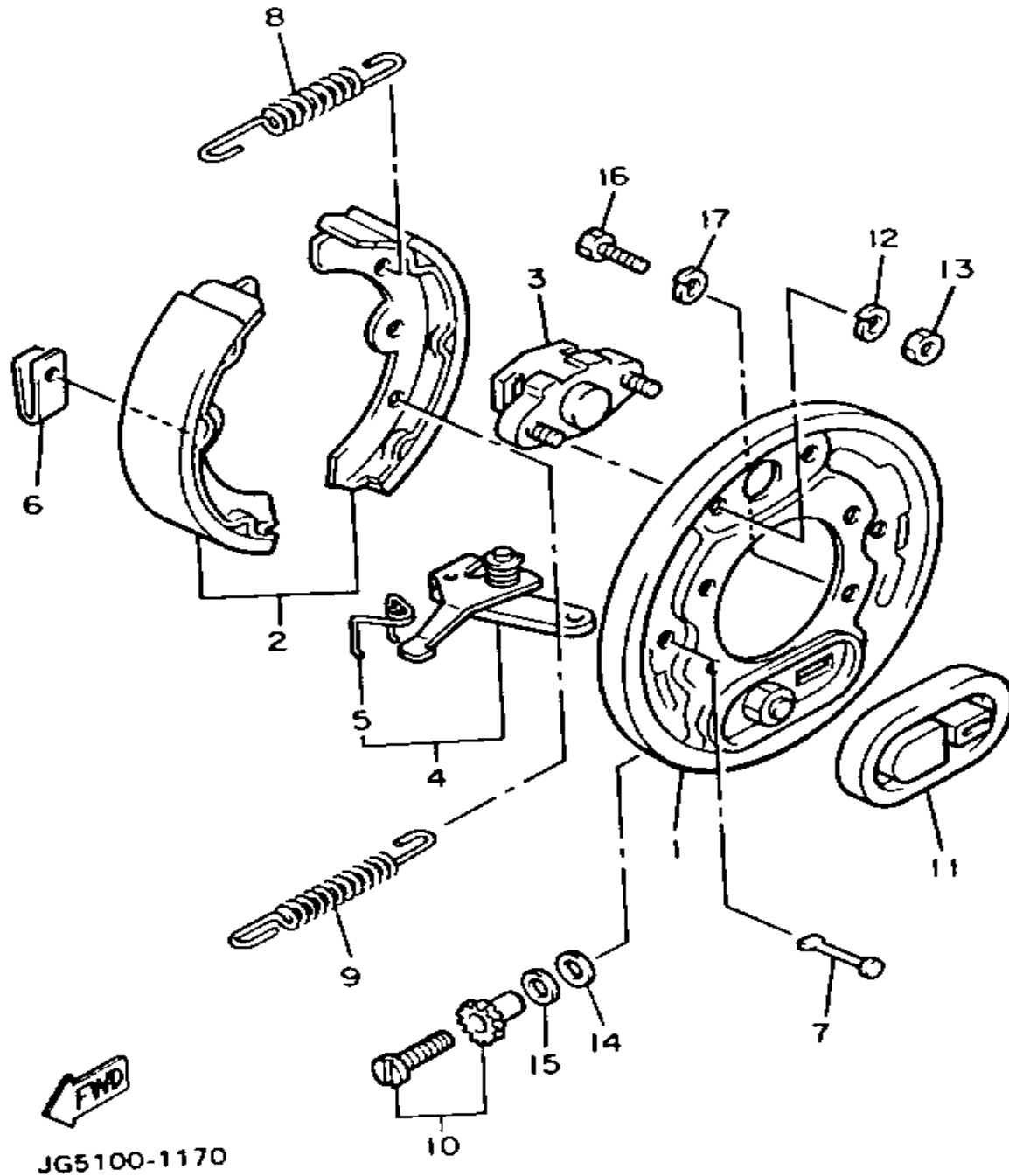
CONTINUED ON NEXT FRAME ➤

# BRAKE



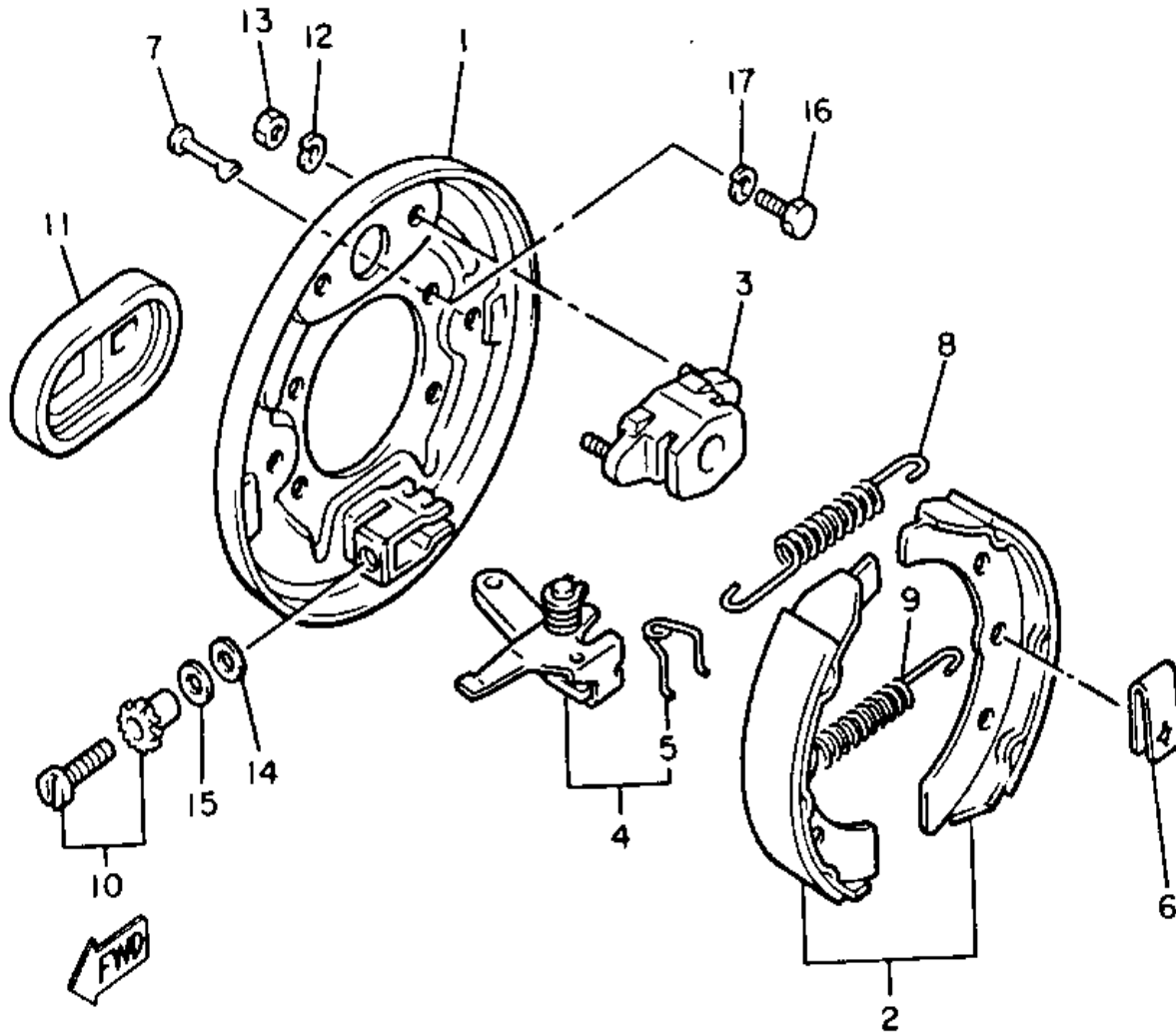
Ref. No.	Part Number	Description	Qty	Remarks
53	95303-08700-00	NUT .....	1	
54	J56-F6341-00-00	CABLE, BRAKE .....	1	
55	J56-F6351-00-00	CABLE, BRAKE .....	1	
56	99001-09600-00	CIRCLIP .....	4	

## BRAKE 2



Ref. No.	Part Number	Description	Qty	Remarks
1	J17-27208-00-00	BACKING PLATE SUB ASSEMBLY 1 (R.H)	1	
2	J55-W2536-00-00	BRAKE SHOE SET	1	
3	J17-27206-00-00	ANCHOR BODY COMP.	1	
4	J38-27204-00-00	LEVER ASSEMBLY 1	1	
5	J55-25358-00-00	. SPRING LEVER	1	
6	J10-27281-00-00	SPRING, SHOE CLAMP	2	
7	J10-27282-00-00	PIN, SHOE HOLD DOWN	2	
8	90506-20281-00	SPRING, TENSION	1	
9	90506-26191-00	SPRING, TENSION	1	
10	J55-27270-00-00	ADJUSTER ASSEMBLY	1	
11	J10-27286-00-00	COVER, DUST	1	
12	92995-06100-00	WASHER, SPRING	2	
13	95380-06600-00	NUT	2	
14	90201-121H8-00	WASHER, PLATE	1	
15	90201-121H9-00	WASHER, PLATE	1	
16	97011-08016-00	BOLT	4	
17	92990-08100-00	WASHER	4	

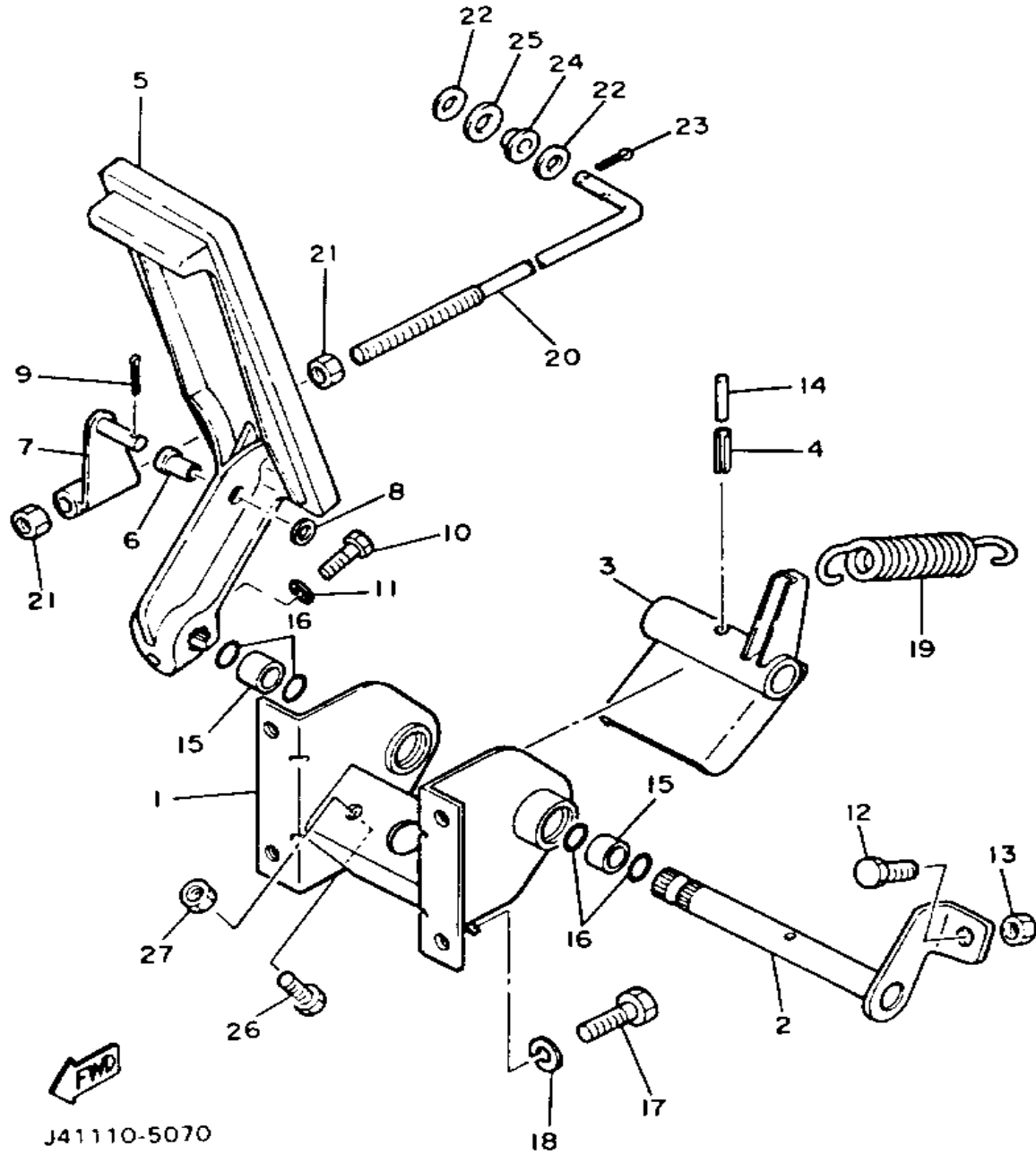
# BRAKE 3



JG5100-1160

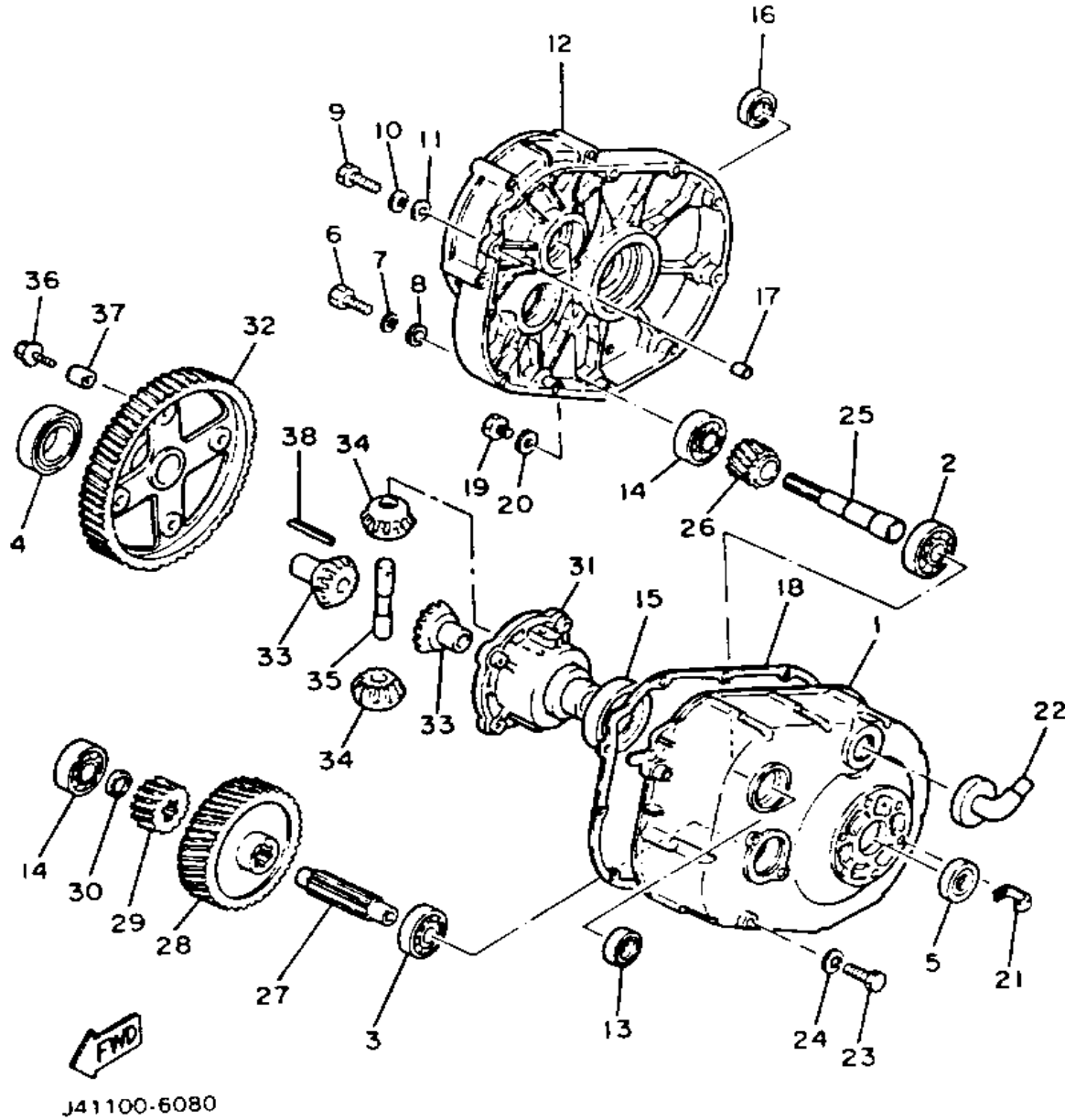
Ref. No.	Part Number	Description	Qty	Remarks
1	J17-27209-00-00	BACKING PLATE SUB ASSEMBLY 2 (L.H)	1	
2	J55-W2536-00-00	BRAKE SHOE SET	1	
3	J17-27206-00-00	ANCHOR BODY COMP.	1	
4	J38-27205-00-00	LEVER ASSEMBLY 2	1	
5	J55-25357-00-00	SPRING, LEVER	1	
6	J10-27281-00-00	SPRING, SHOE CLAMP	2	
7	J10-27282-00-00	PIN, SHOE HOLD DOWN	2	
8	90506-20281-00	SPRING, TENSION	1	
9	90506-26191-00	SPRING, TENSION	1	
10	J55-27260-00-00	ADJUSTER ASSEMBLY	1	
11	J10-27286-00-00	COVER, DUST	1	
12	92995-06100-00	WASHER, SPRING	2	
13	95380-06600-00	NUT	2	
14	90201-121H8-00	WASHER, PLATE	1	
15	90201-121H9-00	WASHER, PLATE	1	
16	97011-08016-00	BOLT	4	
17	92990-08100-00	WASHER	4	

# ACCELERATOR



Ref. No.	Part Number	Description	Qty	Remarks
1	J41-27874-00-00	BRACKET, ACCELERATOR		
		PEDAL .....	1	
2	J17-27853-00-00	SHAFT, PEDAL 1 .....	1	
3	J22-27872-00-00	ARM, ACCELERATOR .....	1	
4	91609-60028-00	PIN, SPRING .....	1	
5	JF3-27871-00-00	PEDAL, ACCELERATOR .....	1	
6	90381-06033-00	BUSH, SOLID .....	1	
7	J14-27815-00-00	LEVER, CRANK .....	1	
8	92990-06600-00	WASHER, PLATE .....	1	
9	91490-20020-00	PIN, COTTER .....	1	
10	97011-06025-00	BOLT (97001-06025) .....	1	
11	92995-06100-00	WASHER, SPRING .....	1	
12	90106-08040-00	BOLT, RD. HEX .....	1	
13	95303-08700-00	NUT .....	1	
14	91609-35028-00	PIN, SPRING .....	1	
15	90384-14080-00	BUSH, BIMETAL .....	2	
16	93210-14104-00	O-RING .....	4	
17	97313-06016-00	BOLT, HEXAGON .....	4	
18	92995-06100-00	WASHER, SPRING .....	4	
19	90506-29283-00	SPRING, TENSION .....	1	
20	J14-27241-00-00	ROD, JOINT .....	1	
21	95303-08700-00	NUT .....	2	
22	90201-07077-00	WASHER, PLAT .....	2	
23	91401-25020-00	PIN, COTTER .....	1	
24	90386-07100-00	BUSH .....	1	
25	90202-10116-00	WASHER, PLATE .....	1	
26	97011-06025-00	BOLT (97001-06025) .....	1	
27	95380-06700-00	NUT .....	1	

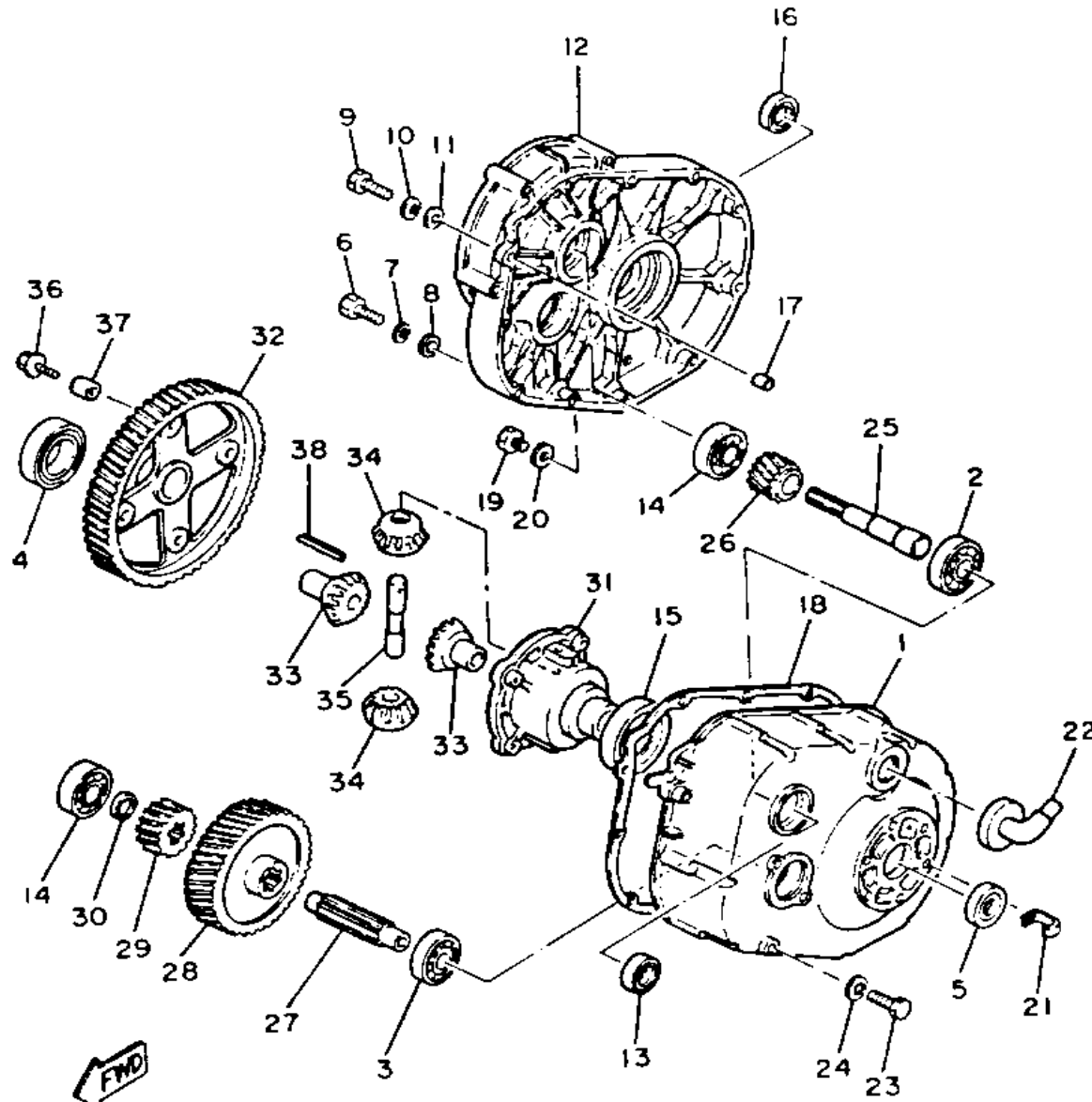
# TRANSMISSION



Ref. No.	Part Number	Description	Qty	Remarks
1	J14-46311-00-00	CASE, TRANSMISSION 1	1	
2	93306-20541-00	BEARING (B6205)	1	
3	93306-20421-00	BEARING	1	
4	93306-00803-00	BEARING (B6008)	1	
5	93102-22189-00	OIL SEAL	1	
6	97313-08035-00	BOLT, HEXAGON	9	
7	92990-08100-00	WASHER	9	
8	92901-08600-00	WASHER	9	
9	97313-08045-00	BOLT	2	
10	92990-08100-00	WASHER	2	
11	92901-08600-00	WASHER	2	
12	J14-46312-02-00	CASE, TRANSMISSION 2	1	
13	93102-20143-00	OIL SEAL	1	
14	93306-20421-00	BEARING	2	
15	93306-00803-00	BEARING (B6008)	1	
16	93102-22189-00	OIL SEAL	1	
17	99510-12016-00	PIN, DOWEL	2	
18	J10-46319-01-00	GASKET	1	
19	90340-14036-00	PLUG, STRAIGHT SCRW	2	
20	90430-14043-00	GASKET	2	
21	90465-06100-00	CLAMP	1	
22	835-47559-00-00	CAP 2	1	
23	97011-10020-00	BOLT	2	
24	92901-10100-00	WASHER, SPRING	2	
25	J14-46321-01-00	SHAFT, INPUT	1	
26	J10-46331-02-00	GEAR, IMPUT 1	1	
27	J10-46351-00-00	SHAFT, COUNTER	1	
28	J10-46361-02-00	GEAR, COUNTER 1	1	
29	J17-46362-00-00	GEAR, COUNTER 2	1	

CONTINUED ON NEXT FRAME ➤

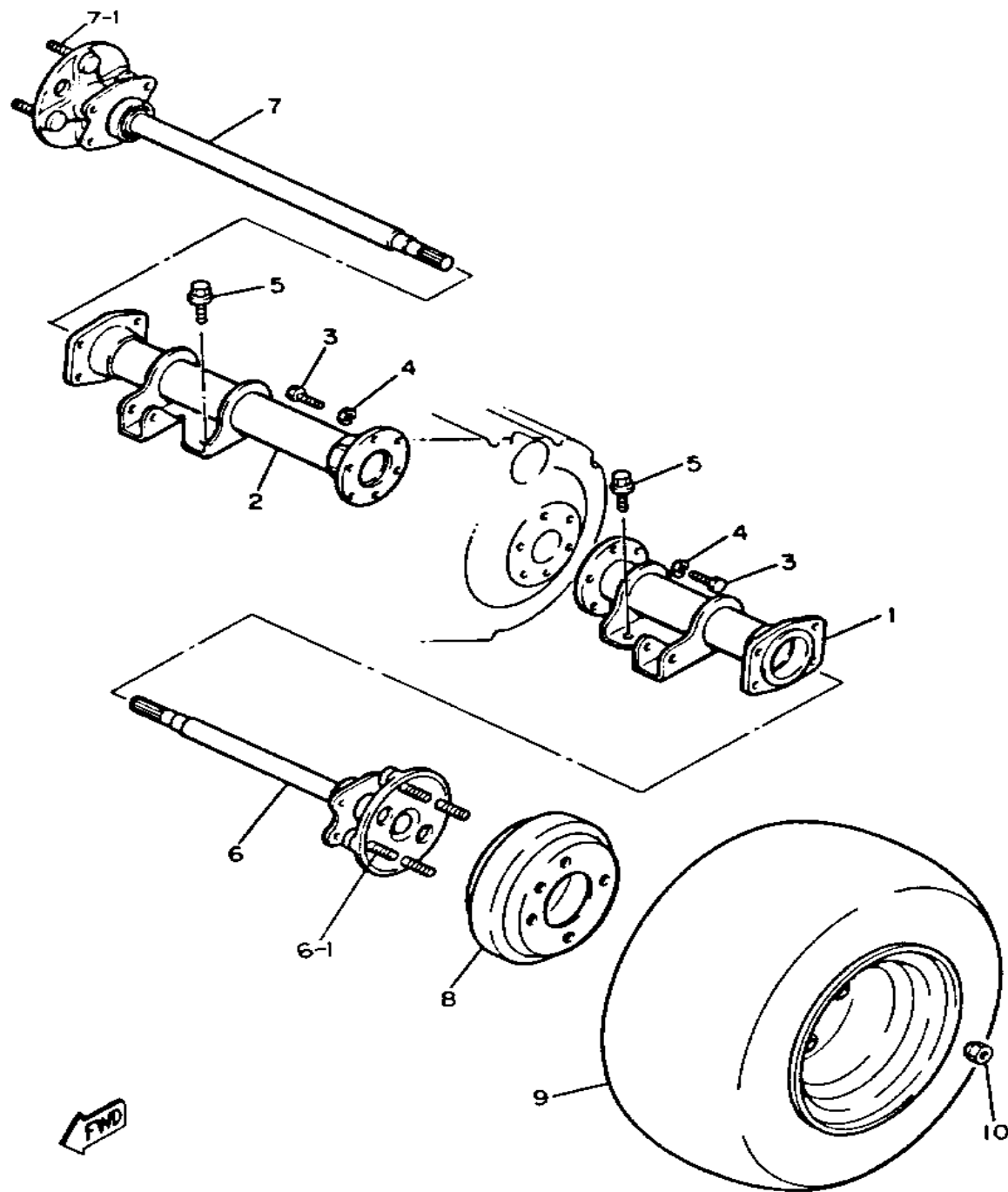
# TRANSMISSION



J41100-6080

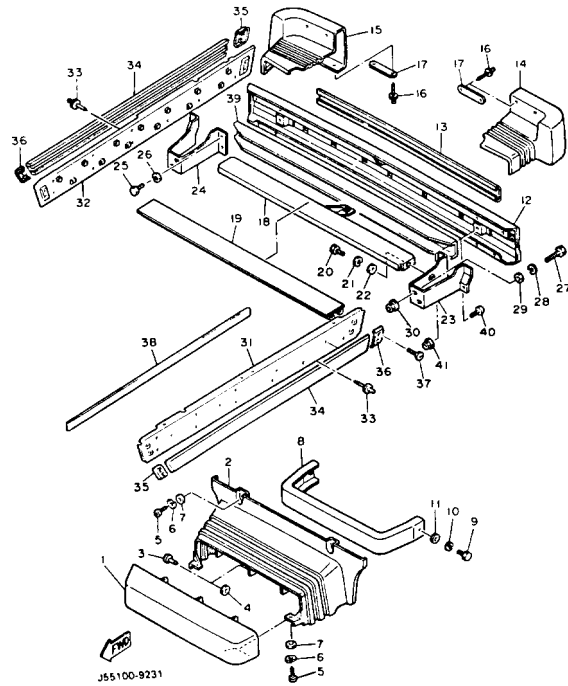
Ref. No.	Part Number	Description	Qty	Remarks
30	90201-20272-00	WASHER, PLATE .....	1	
31	J38-46411-01-00	CASE, DIFFERENTIAL .....	1	
32	J41-46421-00-00	GEAR, RING .....	1	
33	J38-46414-00-00	GEAR, DIFFERENTIAL SIDE ..	2	
34	J38-46415-00-00	PINION, DIFFERENTIAL .....	2	
35	J38-46417-02-00	PIN, DIFFERENTIAL .....	1	
36	90105-08390-00	BOLT, WASHER BASED .....	4	
37	91812-16001-00	PIN, DOWEL .....	2	
38	91609-40040-00	PIN, SPRING .....	1	

# REAR AXLE - WHEEL



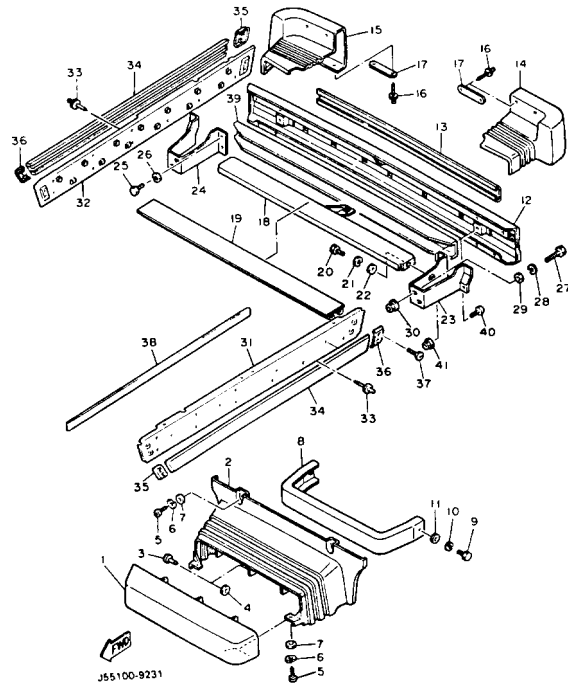
Ref. No.	Part Number	Description	Qty	Remarks
1	J41-46540-01-00	REAR AXLE HOUSING COMP.	1	
2	J41-46550-01-00	REAR AXLE HOUSING COMP. 2	1	
3	97312-08025-00	BOLT (97012-08025)	12	
4	92990-08100-00	WASHER	12	
5	95811-10020-00	BOLT, FLANGE (95822-10020-00)	8	
6	J41-46510-00-00	REAR AXLE SHAFT COMP.	1	
7	J41-46520-00-00	REAR AXLE SHAFT COMP. 2	1	
8	J55-G6521-00-00	DRUM	2	
9	J55-F5100-00-00	FRONT WHEEL ASSEMBLY	2	
10	90179-12262-00	NUT	8	
6-1	90114-12004-00	. BOLT, RIBBED NECK	4	
7-1	90114-12004-00	. BOLT, RIBBED NECK	4	

# BUMPER



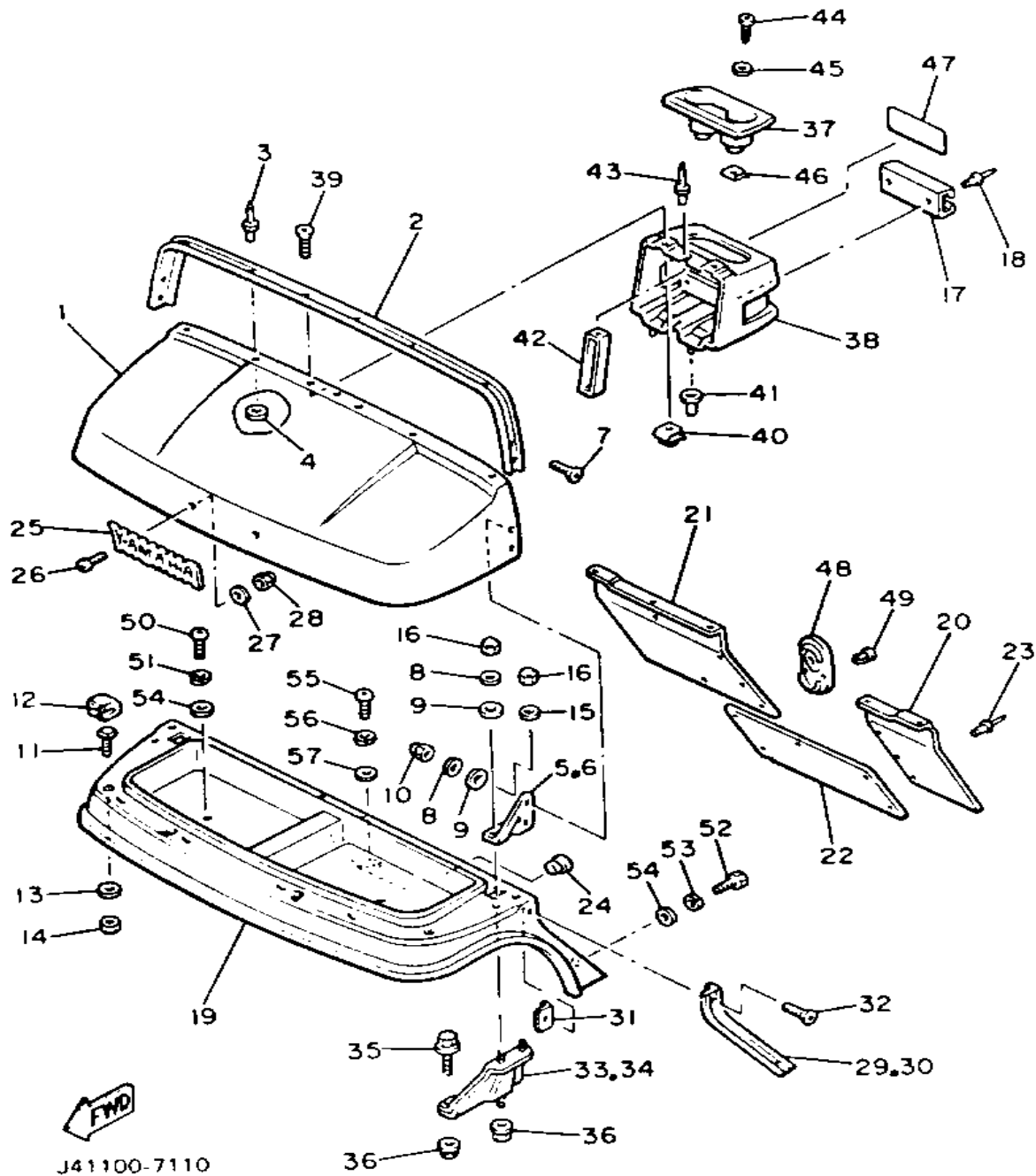
Ref. No.	Part Number	Description	Qty	Remarks
1	J55-K8162-00-00	PAD, FRONT BUMPER	1	
2	J55-K8163-00-00	COVER, BUMPER	1	
3	90269-06028-00	RIVET	3	
4	90201-076J4-00	WASHER, PLATE	3	
5	98506-05020-00	SCREW, PAN HEAD	4	
6	92906-05100-00	WASHER, SPRING	4	
7	90201-05033-00	WASHER, PLATE	4	
8	J55-K7511-00-00	BUMPER, FRONT 1	1	
9	97022-08016-00	BOLT	2	
10	92990-08100-00	WASHER	2	
11	92990-08600-00	WASHER, PLATE	2	
12	JG5-K8107-00-00	BUMPER SUB-ASSEMBLY, REAR	1	
13	J55-K8172-00-00	PAD, REAR BUMPER (J38-78172-00)	1	
14	J55-K8167-00-00	BUMPER, RUBBER 1	1	
15	J55-K8168-00-00	BUMPER, RUBBER 2	1	
16	90267-40077-00	RIVET, BLIND	8	
17	J17-77525-00-00	WASHER 1	4	
18	J38-78179-01-00	PLATE, EXTENSION	1	
19	J55-K8178-00-00	COVER, EXTENSION PLATE (J38-78178-00)	1	
20	97016-08016-00	BOLT	3	
21	92906-08100-00	WASHER, SPRING	3	
22	92906-08600-00	WASHER	3	
23	J55-K8174-00-00	STAY, REAR BUMPER (J38-78174-01)	1	
24	J55-K8175-00-00	STAY, REAR CUMPER 2 (J38-78175-01)	1	
25	97016-08016-00	BOLT	6	

CONTINUED ON NEXT FRAME ►



## BUMPER

Ref. No.	Part Number	Description	Qty	Remarks
26	92906-08100-00	WASHER, SPRING .....	6	
27	97026-08050-00	BOLT .....	4	
28	92906-08100-00	WASHER, SPRING .....	4	
29	92906-08600-00	WASHER .....	4	
30	95706-08500-00	NUT, flange .....	4	
31	J55-WK811-00-00	PLATE, SIDE SILL KIT (L.H) (J55-K8183-00) .....	1	
32	J55-WK812-00-00	PLATE, SIDE SILL KIT (R.H) (J55-K8184-00) .....	1	
33	90267-48139-00	RIVET, BLIND .....	18	
34	J55-K818A-00-00	PROTECTOR, SIDE PLT .....	2	
35	J38-7818E-00-00	CAP, PROTECT.END 1 .....	2	
36	J38-7818F-00-00	CAP, PROTECT.END 2 .....	2	
37	98606-06014-00	SCREW, OVAL HEAD (92606-06014) .....	8	
38	J55-78181-00-00	PLATE 1 .....	4	AP
39	J55-77529-00-00	SPACER, BUMPER .....	1	AP
40	92016-08016-00	BOLT, BUTTON HEAD .....	2	AP
41	95706-08500-00	NUT, flange .....	2	AP

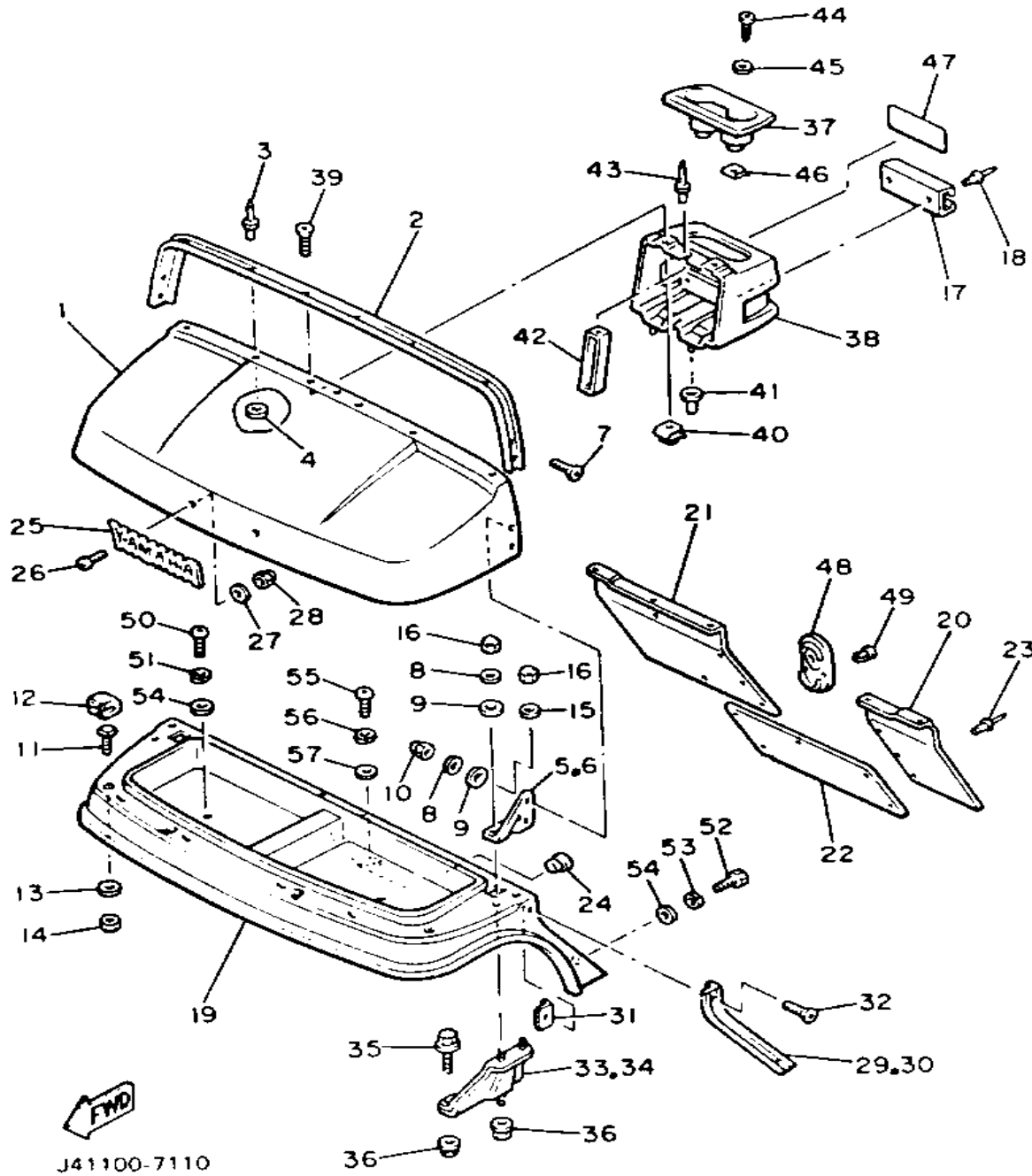


## BODY

Ref. No.	Part Number	Description	Qty	Remarks
1	J55-K8116-00-00	COWL, FRONT UPPER	1	
2	J38-7811A-01-00	TRIM, UPPER COWL	1	
3	90267-48051-00	RIVET, BLIND	4	
4	90201-046J3-00	WASHER, PLATE	4	
5	J55-K811E-00-00	STAY, UPPER COWL (L.H) (J38-7811E-01)	1	
6	J55-K811F-00-00	STAY, UPPER COWL (R.H) (J38-7811F-01)	1	
7	90151-06039-00	SCREW, COUNTERSUNK	4	
8	92990-06200-00	WASHER	6	
9	90202-06172-00	WASHER, PLATE	6	
10	95380-06800-00	NUT	4	
11	J38-7811G-00-00	BOLT, COWL FITTING	4	
12	J38-7811H-00-00	RETAINER, COWL FITTING	4	
13	90201-065F3-00	WASHER, PLATE	4	
14	95601-06100-00	NUT, U	4	
15	90201-062G3-00	WASHER, PLATE	2	
16	95380-06800-00	NUT	4	
17	J55-K835A-00-00	HOLDER, BALL	1	
18	90267-63047-00	RIVET, BLIND	2	
19	J55-K8115-01-00	COWL, FRONT (J38-78115-02)	1	
20	J55-K8231-00-00	MAT, MAIN FLOOR 1 (J38-78231-01)	1	
21	J55-K8232-00-00	MAT, MAIN FLOOR 2 (J38-78232-01)	1	
22	J55-K8236-00-00	MAT, PEDAL FLOOR (J38-78236-01)	1	
23	90267-63047-00	RIVET, BLIND	16	
24	J41-78274-01-00	COVER, HOLE 2	1	
25	J38-24161-00-00	EMBLEM 1	1	

CONTINUED ON NEXT FRAME ►

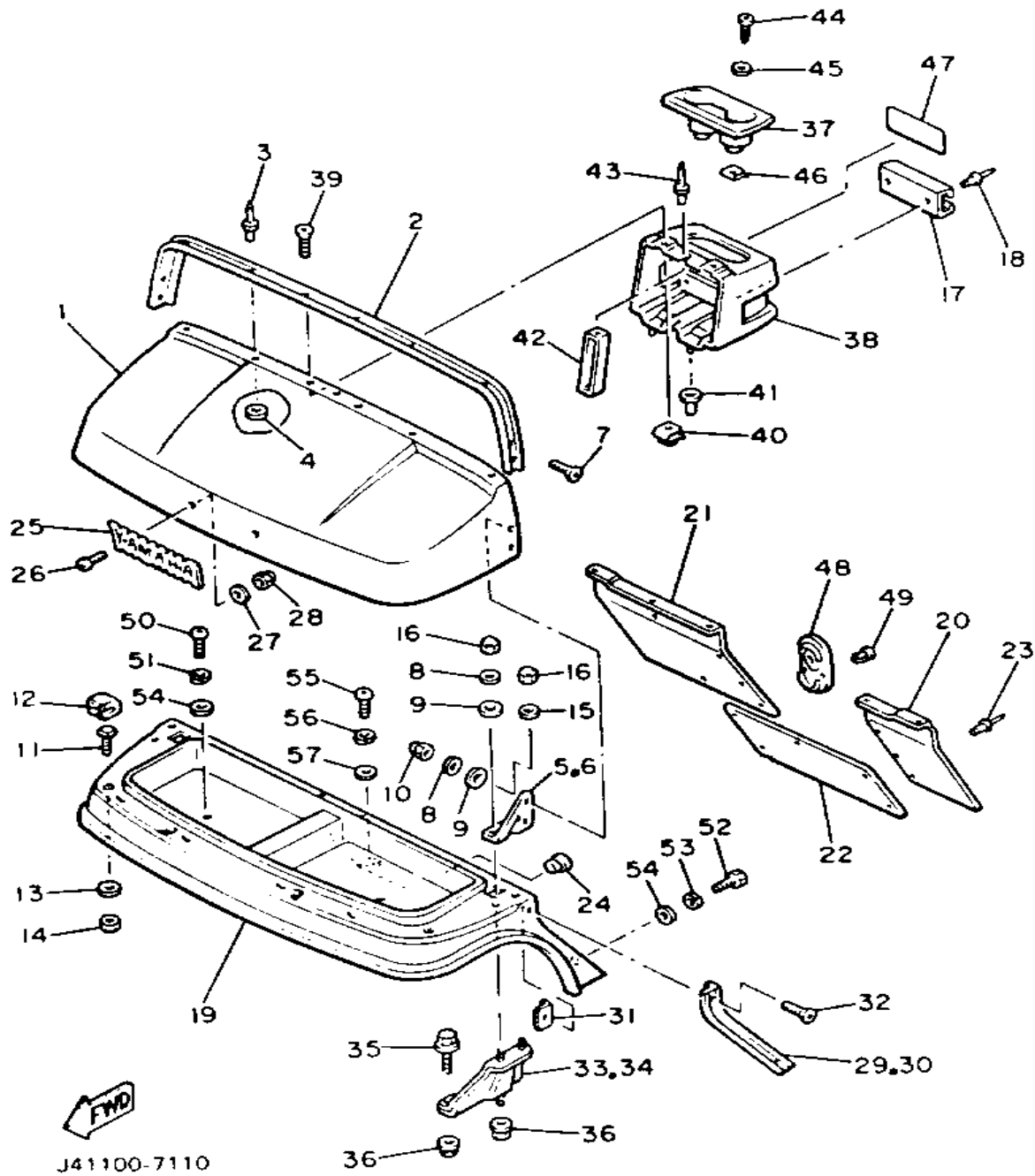
# BODY



Ref. No.	Part Number	Description	Qty	Remarks
26	90152-04015-00	SCREW, COUNTERSUNK	2	
27	92906-04200-00	WASHER, PLAIN	2	
28	95606-04100-00	NUT, U	2	
29	J38-7811L-00-00	TRIM, COWL SIDE (L.H)	1	
30	J38-7811M-00-00	TRIM, COWL SIDE (R.H)	1	
31	J38-7811K-00-00	NUT, TRIM FITTING	4	
32	90151-06039-00	SCREW, COUNTERSUNK	4	
33	J38-7812E-01-00	SUPPORT, UPPER COWL (L.H)	1	
34	J38-7812F-01-00	SUPPORT, UPPER COWL (R.H)	1	
35	95811-08016-00	BOLT, FLANGE	2	
36	95701-08500-00	NUT, FLANGE	4	
37	J55-K835E-00-00	HOLDER, BEVERAGE (J38-7835E-03)	1	
38	J55-K835G-00-00	HOUSING, HOLDER (J38-7835G-01)	1	
39	90151-06040-00	SCREW, COUNTERSUNK	2	
40	J38-78145-00-00	NUT, REAR BODY MOUNTING	2	
41	90480-12355-00	GROMMET	2	
42	J38-7834A-00-00	REINF., HOLDER	1	
43	90267-48086-00	RIVET, BLIND	2	
44	97780-50125-00	SCREW, TAPPING	2	
45	90201-05556-00	WASHER, PLATE	2	
46	90183-05001-00	NUT, SPRING	2	
47	J55-77768-10-00	LABEL, WARNING (J38-77768-10)	1	
48	J38-78273-00-00	COVER, HOLE	1	
49	90269-11042-00	RIVET	2	
50	98580-06020-00	SCREW	2	
51	92995-06100-00	WASHER, SPRING	2	
52	97395-06020-00	BOLT, HEXAGON	2	

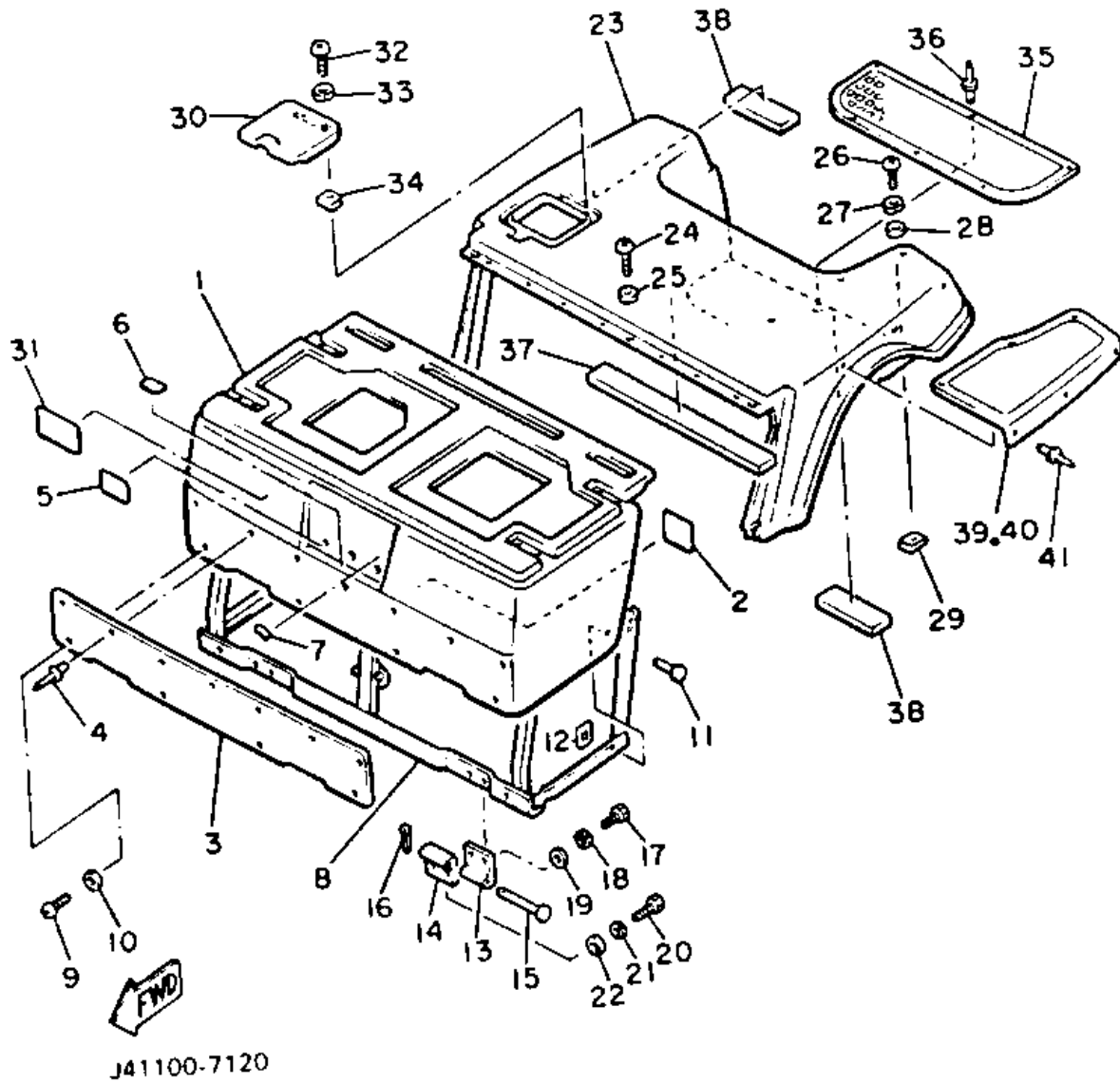
CONTINUED ON NEXT FRAME ►

# BODY



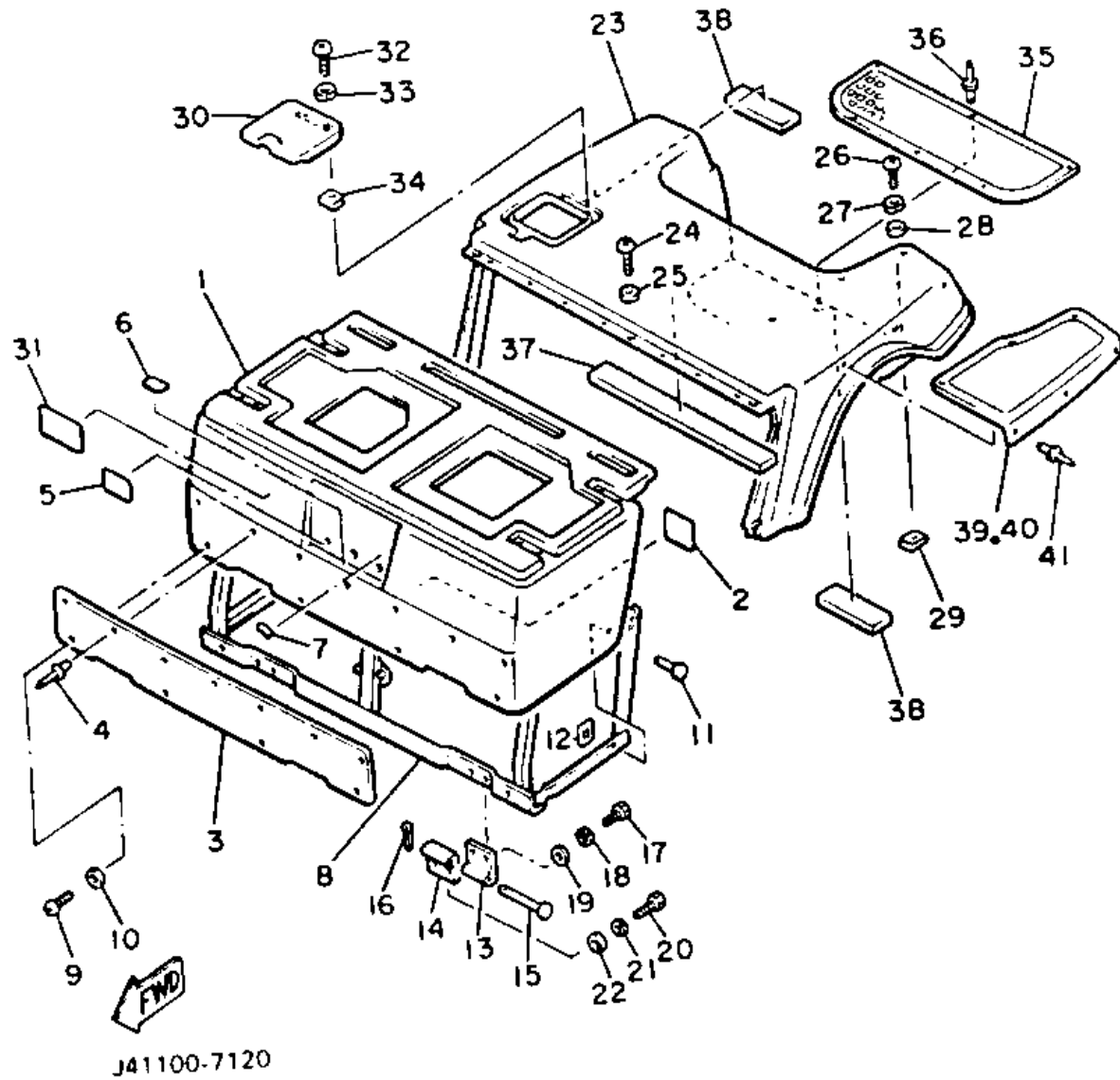
Ref. No.	Part Number	Description	Qty	Remarks
53	92995-06100-00	WASHER, SPRING .....	2	
54	90201-06697-00	WASHER, PLATE .....	4	
55	92580-06020-00	SCREW, PAN HEAD .....	1	
56	92990-06100-00	WASHER, SPRING .....	1	
57	90201-06049-00	WASHER, PLATE .....	1	

# BODY 2



Ref. No.	Part Number	Description	Qty	Remarks
1	J55-K8141-00-00	PANEL, INTERMEDIATE BODY	1	
2	J22-77765-00-00	LABEL, WARNING 5	1	
3	J38-7814N-00-00	PLATE, ORNAMENT	1	
4	90267-40131-00	RIVET, BLIND	7	
5	J41-77458-10-00	LABEL, WARNING (J41-77458-00-00)	1	
6	J38-77741-10-00	INDICATOR 1	1	
7	J38-77742-00-00	INDICATOR 2	1	
8	J56-K8121-00-00	REINFORCEMENT 1 (J41-78121-01)	1	
9	98980-06016-00	SCREW, BINDING	4	
10	90201-06697-00	WASHER, PLATE	4	
11	90338-06169-00	PLUG	2	
12	90183-06011-00	NUT, SPRING	2	
13	J55-K8143-00-00	HINGE, INTERMEDIATE BODY 1	2	
14	J55-K8144-00-00	HINGE, INTERMEDIATE BODY 2	2	
15	91790-06125-00	PIN, CLEVIS	2	
16	91490-20015-00	PIN, COTTER	2	
17	97003-06012-00	BOLT (97001-06012)	4	
18	92995-06100-00	WASHER, SPRING	4	
19	92990-06600-00	WASHER, PLATE	4	
20	97011-06020-00	BOLT	4	
21	92995-06100-00	WASHER, SPRING	4	
22	92990-06600-00	WASHER, PLATE	4	
23	J55-K8142-00-00	PANEL, REAR BODY	1	
24	98902-06025-00	SCREW, BIND	3	
25	90201-06M08-00	WASHER, PLATE	3	
26	98580-06020-00	SCREW	2	

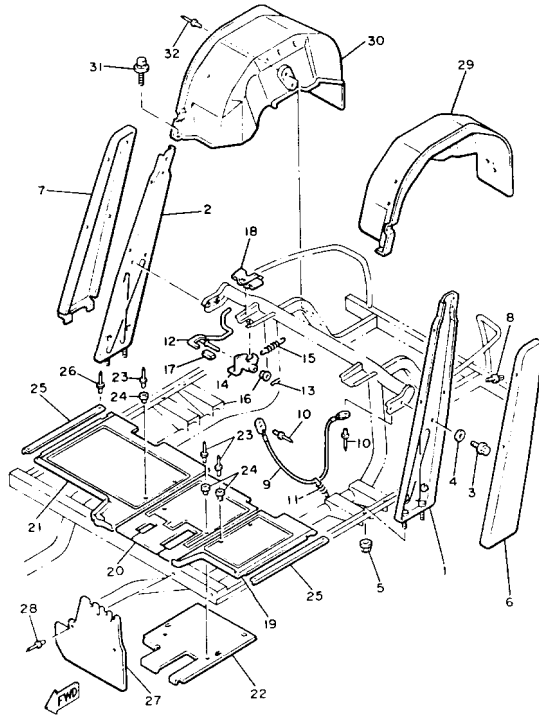
CONTINUED ON NEXT FRAME ►



## BODY 2

Ref. No.	Part Number	Description	Qty	Remarks
27	92995-06100-00	WASHER, SPRING .....	2	
28	90201-065F3-00	WASHER, PLATE .....	2	
29	90183-06028-00	NUT, SPRING .....	2	
30	J55-K8272-00-00	COVER, FUEL INLET .....	1	
31	J51-77764-00-00	LABEL, WARNING 4 .....	1	
32	98511-04012-00	SCREW, PAN HEAD .....	2	
33	92901-04100-00	WASHER, SPRING .....	2	
34	J38-78276-00-00	NUT, INLET FITTING .....	2	
35	J55-K8241-00-00	MAT, REAR FLOOR (J38-78241-00) .....	1	
36	90267-63047-00	RIVET, BLIND .....	6	
37	J38-7821A-00-00	PAD, BODY MOUNTING 1 ....	1	
38	J38-7821E-00-00	PAD, BODY MOUNTING 2 ....	2	
39	J55-K8243-00-00	MAT, REAR BODY SIDE (LH) .	1	
40	J55-K8244-00-00	MAT, REAR BODY SIDE (RH) .	1	
41	90267-63047-00	RIVET, BLIND .....	12	

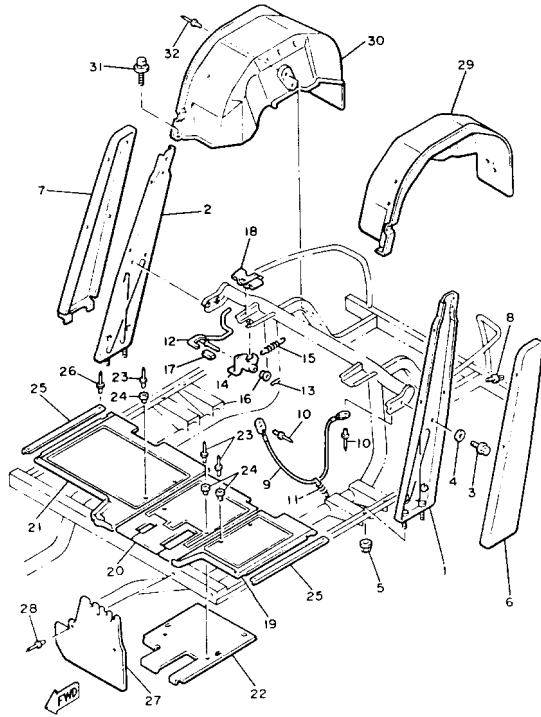
# BODY FITTING



Ref. No.	Part Number	Description	Qty	Remarks
1	J55-K813A-00-00	PILLAR, SIDE (L.H) (J38-7813A-01)	1	
2	J55-K813E-00-00	PILLAR, SIDE R (J38-7813E-01)	1	
3	95811-08016-00	BOLT, FLANGE	4	
4	90201-08730-00	WASHER, PLATE	4	
5	95701-06500-00	NUT, FLANGE	4	
6	J55-K813F-00-00	COVER, SIDE PILLAR (L.H)	1	
7	J55-K813G-00-00	COVER, SIDE PILLAR (R.H)	1	
8	90267-63134-00	RIVET, BLIND	8	
9	J38-78229-00-00	WIRE, SEAT STOPPER	1	
10	90267-40087-00	RIVET, BLIND	2	
11	90507-08037-00	SPRING, TENSION	1	
12	J38-7814G-01-00	LEVER, BODY LOCK	1	
13	90468-18008-00	CLIP	1	
14	J38-7814H-01-00	HOOK, BODY LOCK	1	
15	90506-18374-00	SPRING, TENSION	1	
16	J38-7814L-01-00	BUSH, LEVER END	2	
17	J38-7815H-00-00	DAMPER, LOCK	1	
18	J38-78221-00-00	SHEET, BODY MOUNTING 1	2	
19	J38-78203-00-00	FLOOR MAT COMP. 3	1	
20	J55-K8234-00-00	MAT, MAIN FLOOR 4	1	
21	J38-78205-00-00	FLOOR MAT COMP. 5	1	
22	J55-K8271-00-00	SERVICE LID, PEDAL	1	
23	90267-48086-00	RIVET, BLIND	6	
24	90387-081R2-00	COLLAR	6	
25	J38-78215-00-00	PLATE, SIDE TRIM	2	
26	90267-40115-00	RIVET, BLIND	4	
27	J55-K8187-00-00	FLAP, FRONT FENDER (J38-78187-01)	2	

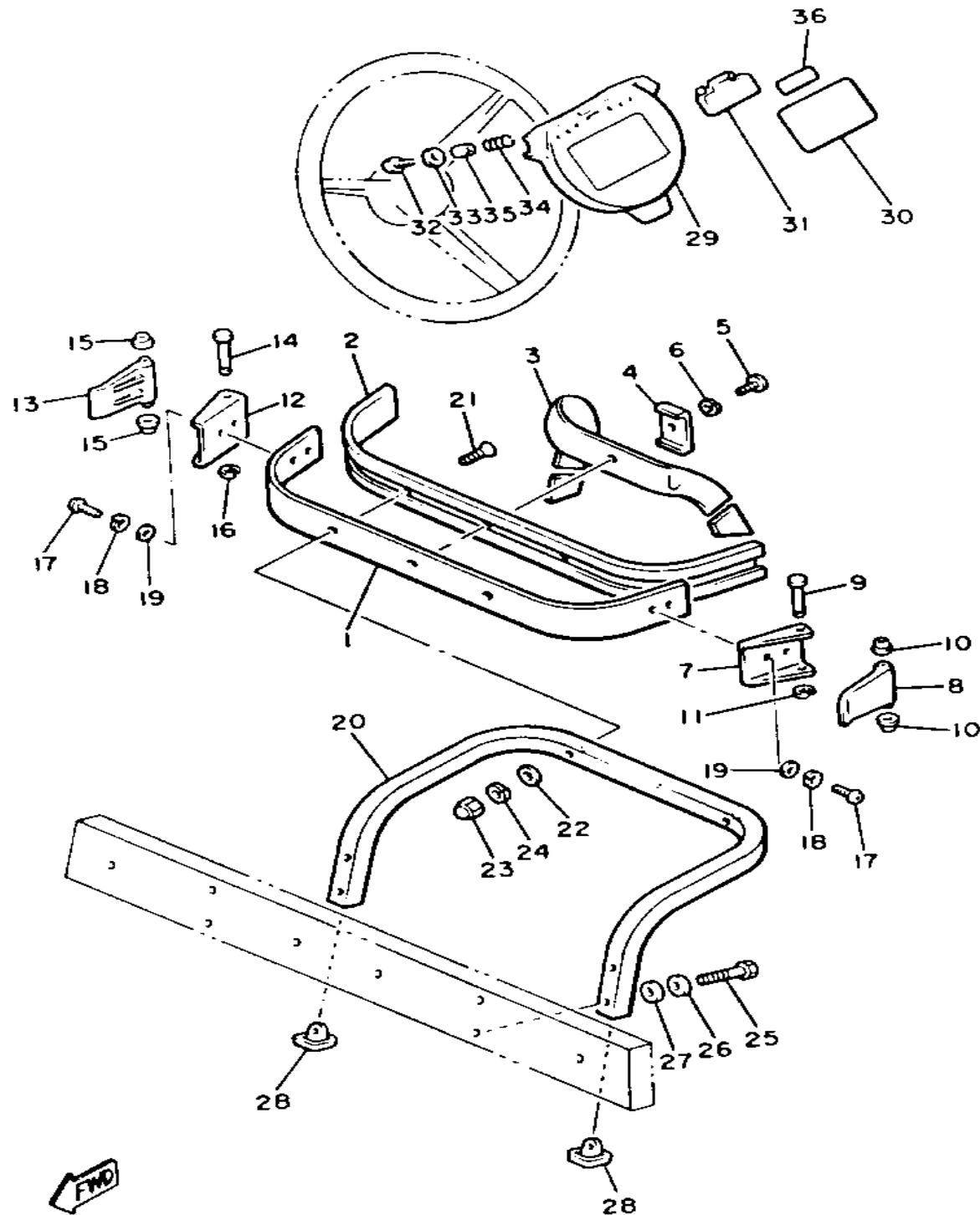
CONTINUED ON NEXT FRAME ►

# BODY FITTING



Ref. No.	Part Number	Description	Qty	Remarks
28	90267-48101-00	RIVET, BLIND .....	4	
29	J56-K8191-00-00	PANEL, REAR FENDER 1 (J41-78191-01) .....	1	
30	J55-K8192-00-00	PANEL, REAR FENDER 2 .....	1	
31	90119-06108-00	BOLT, WITH WASHER .....	2	
32	90267-48101-00	RIVET, BLIND .....	6	

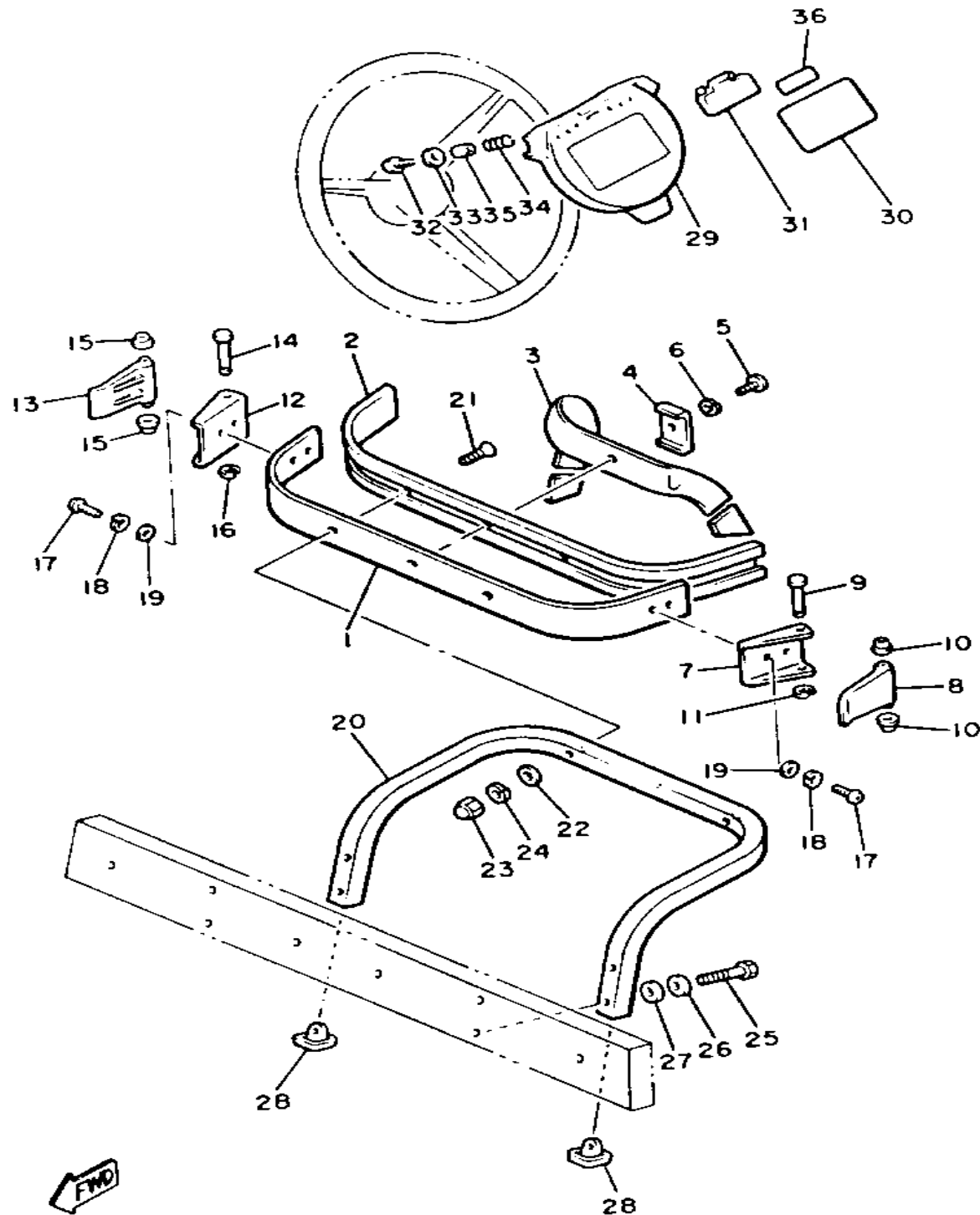
# CARRIER



Ref. No.	Part Number	Description	Qty	Remarks
1	J55-K8351-00-00	SUPPORT, BAG UPPER (J38-78351-00)	1	
2	J38-78356-00-00	PAD, BAG SUPPORT	1	
3	J38-78355-00-00	BAND	1	
4	J38-78367-00-00	PLATE, ANCHOR	1	
5	98980-06016-00	SCREW, BINDING	1	
6	92995-06100-00	WASHER, SPRING	1	
7	J17-78157-01-00	BASE, LOCK	1	
8	J17-78368-01-00	LEVER, LOCK	1	
9	J17-78369-00-00	PIN, LEVER	1	
10	90386-06108-00	BUSH	2	
11	99080-05600-00	CIRCLIP	1	
12	J17-78157-01-00	BASE, LOCK	1	
13	J17-78368-01-00	LEVER, LOCK	1	
14	J17-78369-00-00	PIN, LEVER	1	
15	90386-06108-00	BUSH	2	
16	99080-05600-00	CIRCLIP	1	
17	98580-06010-00	SCREW, PAN HEAD (92503-06010)	4	
18	92995-06100-00	WASHER, SPRING	4	
19	92990-06200-00	WASHER	4	
20	J55-K8352-00-00	SUPPORT, BAG LOWER 1 (J38-78352-01)	1	
21	98701-08040-00	SCREW, FLAT HEAD (92701-08040)	2	
22	90202-08022-00	WASHER, PLATE	2	
23	95380-08800-00	NUT, CROWN	2	
24	92990-08100-00	WASHER	2	
25	90101-08649-00	BOLT	4	
26	90202-08022-00	WASHER, PLATE	4	

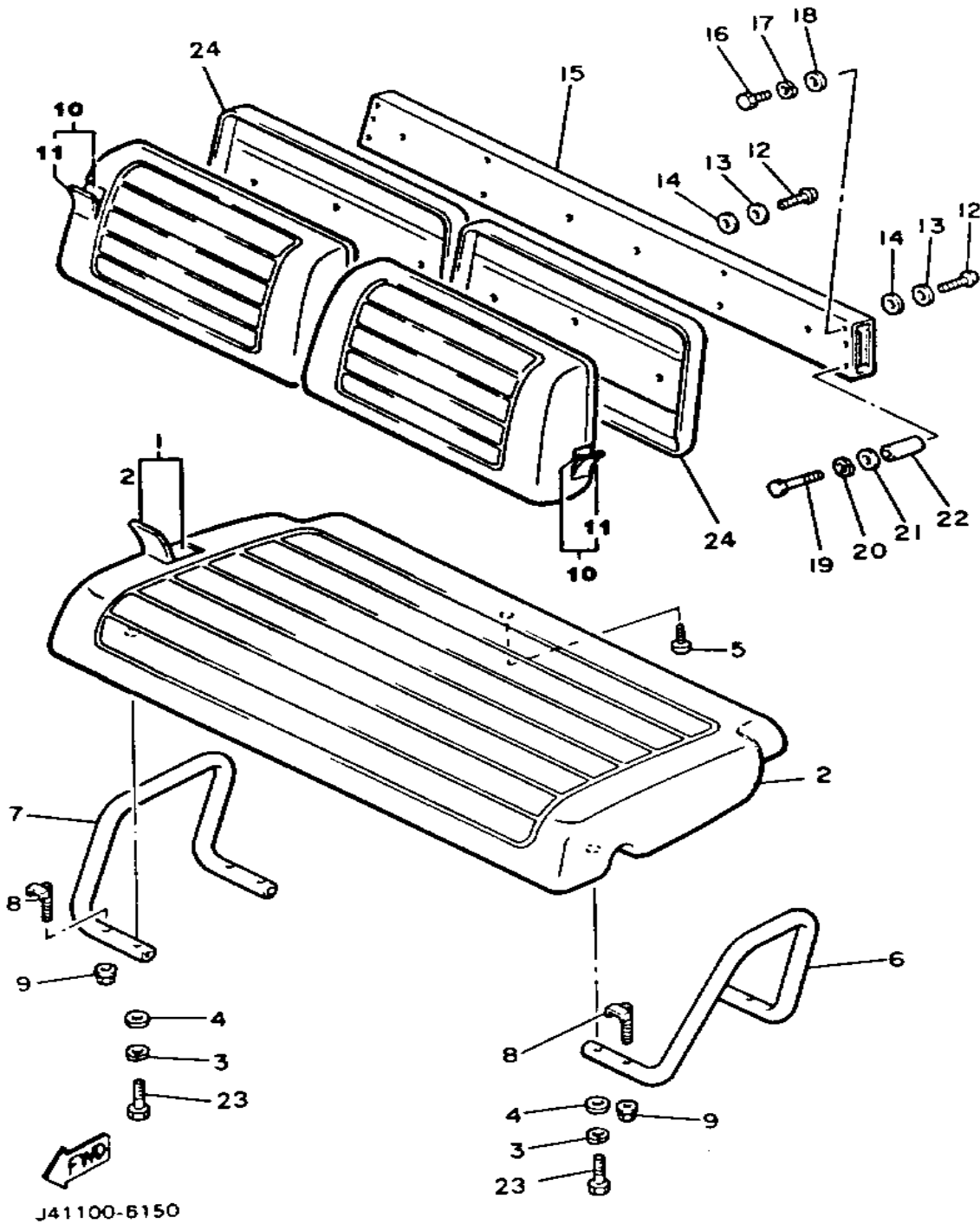
CONTINUED ON NEXT FRAME ►

# CARRIER



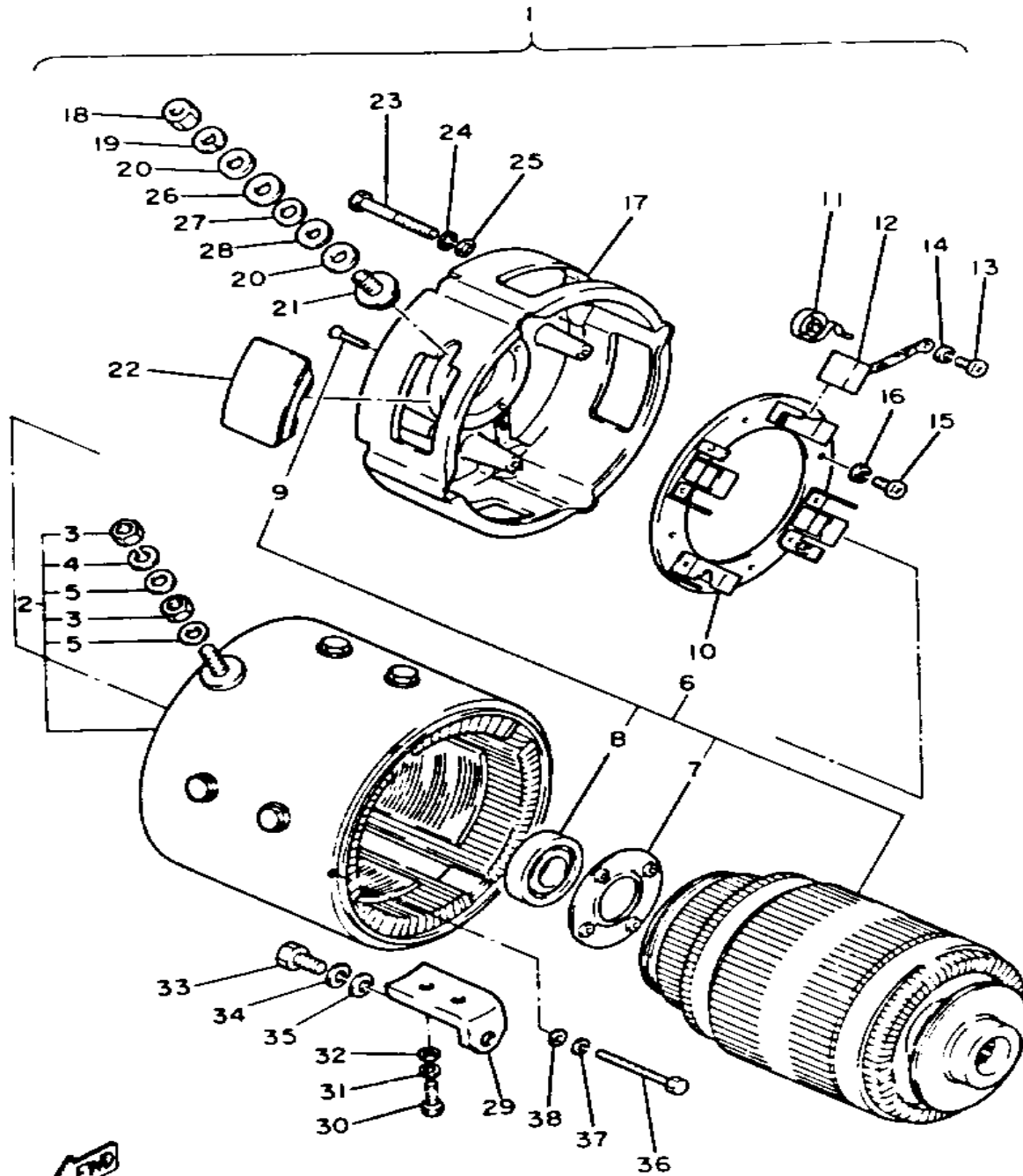
Ref. No.	Part Number	Description	Qty	Remarks
27	90202-08171-00	WASHER, PLATE .....	6	
28	J38-7835H-00-00	CAP, BAG SUPPORT LOWER .	2	
29	J55-K8357-00-00	HOLDER 1 .....	1	
30	J55-77762-10-00	LABEL, WARNING 2 (J38-77762-01) .....	1	
31	J55-K8358-00-00	HOLDER 2 .....	1	
32	97706-40525-00	SCREW, TAPPING .....	2	
33	90201-044H9-00	WASHER, PLAIN .....	2	
34	90502-10013-00	SPRING, CONICAL .....	2	
35	90387-046N7-00	COLLAR .....	2	
36	J51-77763-00-00	LABEL, WARNING 3 .....	1	

# SEAT



Ref. No.	Part Number	Description	Qty	Remarks
1	J55-K8401-00-00	SEAT SUB ASS'Y CUSHION (J38-78401-02)	1	
2	J55-K8404-09-00	. SEAT COVER	1	
3	92990-08100-00	WASHER	4	
4	92990-08600-00	WASHER, PLATE	4	
5	97780-50116-00	SCREW, TAPPING (97780-50516)	1	
6	J38-78361-00-00	ARM REST 1	1	
7	J38-78362-00-00	ARM REST 2	1	
8	J38-78384-00-00	BOLT	4	
9	95601-08200-00	NUT, U	4	
10	J55-K8402-00-00	SEAT SUB ASS'Y, BACK (J38-78402-01)	2	
11	J55-K841G-09-00	. COVER, SEAT BACK 2	2	
12	98980-06045-00	SCREW, BIND	4	
13	90201-065F3-00	WASHER, PLATE	4	
14	90202-06170-00	WASHER, PLATE	4	
15	J55-K8423-09-00	SUPPORT, SEAT BACK (J55-K8423-00)	1	
16	97022-08016-00	BOLT	2	
17	92990-08100-00	WASHER	2	
18	92990-08600-00	WASHER, PLATE	2	
19	97013-08075-00	BOLT	2	
20	92990-08100-00	WASHER	2	
21	92990-08600-00	WASHER, PLATE	2	
22	90387-103G9-00	COLLAR	2	
23	97021-08065-00	BOLT	4	
24	J55-K8413-00-00	COVER, SEAT BACK	2	

# STARTING MOTOR

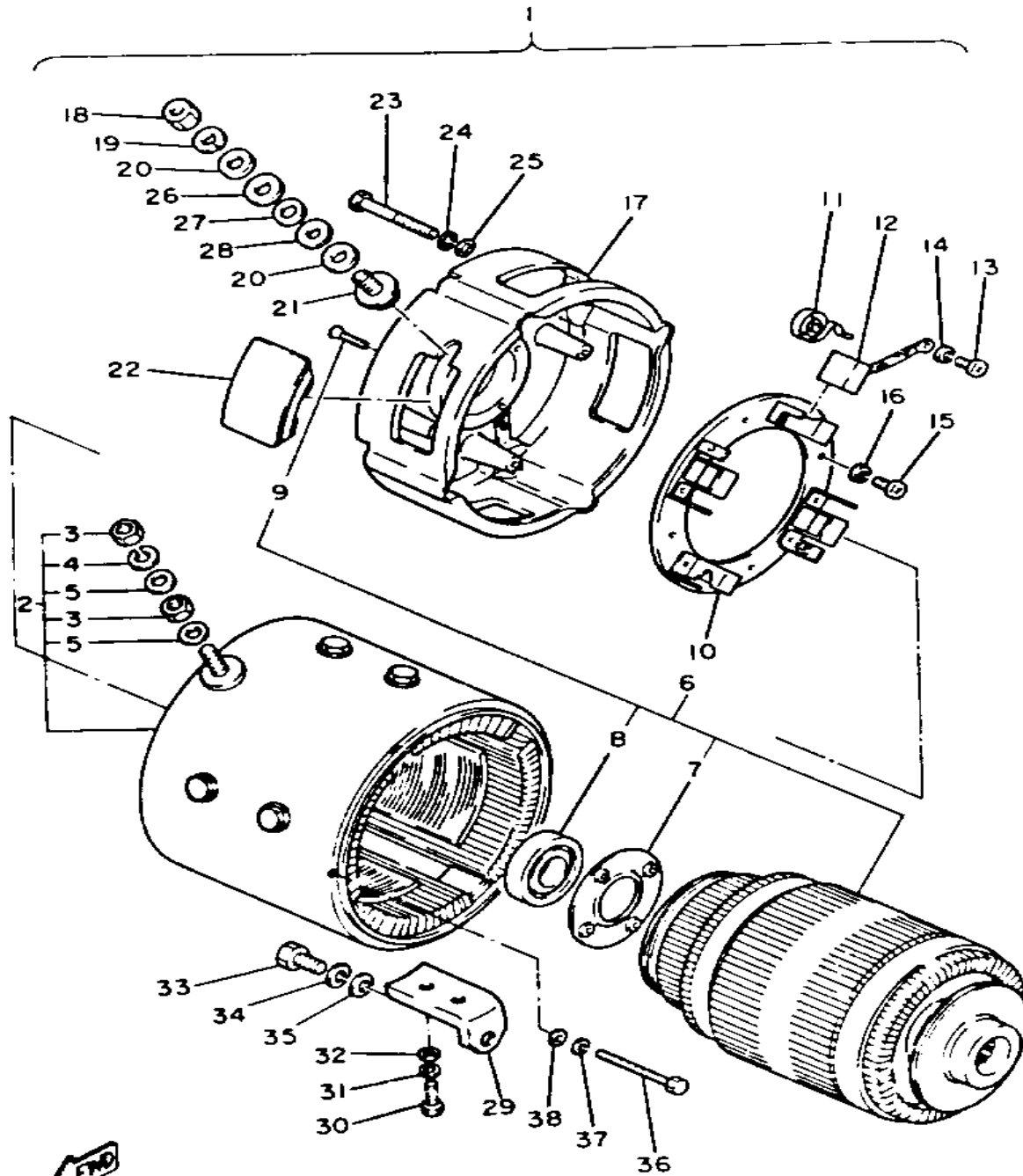


J36100-4150

Ref. No.	Part Number	Description	Qty	Remarks
1	JG6-H1890-00-00	MOTOR ASSEMBLY	1	
2	J14-81810-10-00	. STATOR ASS"Y	1	
3	95303-08600-00	.. NUT	4	
4	92990-08100-00	.. WASHER	2	
5	92990-08200-00	.. WASHER, PLAIN	4	
6	J14-81850-10-00	. ARMATURE ASS"Y	1	
7	J14-81856-10-00	.. RETAINER	1	
8	J14-81857-10-00	.. BEARING	1	
9	98701-05020-00	.. SCREW, FLAT HEAD	4	
10	J14-81840-10-00	. BRUSH HOLDER ASS"Y	1	
11	J14-81813-10-00	. SPRING, BRUSH	4	
12	J14-81811-10-00	. BRUSH 1	4	
13	98501-05010-00	. SCREW, PAN HEAD	4	
14	92990-05100-00	. WASHER, SPRING	4	
15	98580-05016-00	. SCREW, PAN HEAD	4	
16	92990-05100-00	. WASHER, SPRING	4	
17	J14-81822-10-00	. BRACKET, STARTING MOTOR	1	
18	95303-08600-00	. NUT	2	
19	92990-08100-00	. WASHER	2	
20	92990-08200-00	. WASHER, PLAIN	2	
21	J14-81826-10-00	. BOLT	2	
22	J14-81842-10-00	. COVER	4	
23	J14-81828-10-00	. BOLT 2	4	
24	92995-06100-00	. WASHER, SPRING	4	
25	92990-06600-00	. WASHER, PLATE	4	
26	J14-81843-00-00	. WASHER 1	2	
27	J14-81845-00-00	. PLATE	2	
28	J14-81824-00-00	. WASHER 2	2	
29	J14-81823-01-00	STAY, STARTING MTR (J14-81823-00)	1	

CONTINUED ON NEXT FRAME ►

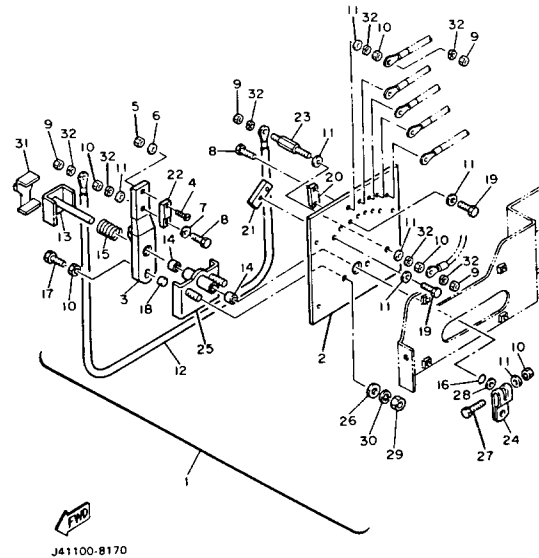
# STARTING MOTOR



Ref. No.	Part Number	Description	Qty	Remarks
30	97011-06016-00	BOLT .....	2	
31	92995-06100-00	WASHER, SPRING .....	2	
32	92990-06600-00	WASHER, PLATE .....	2	
33	97022-08016-00	BOLT .....	1	
34	92990-08100-00	WASHER .....	1	
35	92990-08600-00	WASHER, PLATE .....	1	
36	97313-06055-00	BOLT, HEXAGON (97322-06055)	3	
37	92995-06100-00	WASHER, SPRING .....	3	
38	90201-06643-00	WASHER, PLATE .....	3	



J36100-4150



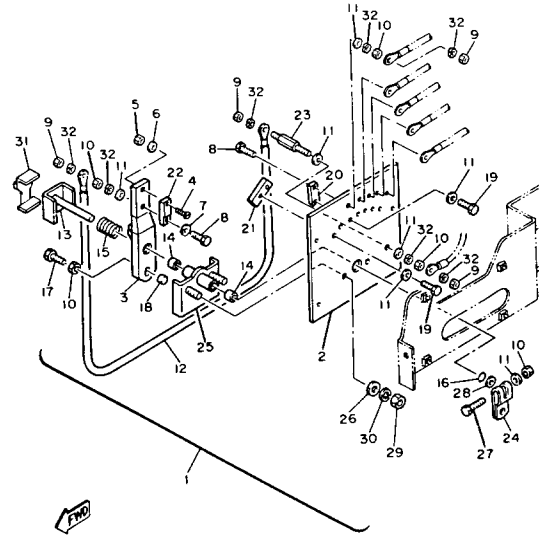
J41100-8170

# CONTROLLER 1

Ref. No.	Part Number	Description	Qty	Remarks
1	J46-86140-00-00	CONTROLLER ASS'Y (J22-86140-00)	1	
2	J46-86142-00-00	. BASE, PLATE	1	
3	J22-86152-00-00	. ARM, MOVING	1	
4	98701-04016-00	. SCREW, FLAT HEAD (98702-04016)	1	
5	95301-04600-00	. NUT	1	
6	92902-04300-00	. WASHER, IN.TOOTH	1	
7	90201-063F3-00	. WASHER, PLATE	1	
8	90101-06469-00	. BOLT	7	
9	95320-06600-00	. NUT	8	
10	95380-06700-00	. NUT	9	
11	92995-06100-00	. WASHER, SPRING	16	
12	J22-86157-00-00	. WIRE, LEAD	1	
13	J14-86155-01-00	. SHAFT, CONTROLLER	1	
14	90380-10010-00	. BUSH, SOLID	2	
15	90501-16573-00	. SPRING, COMPRESSION	1	
16	93210-10166-00	. O-RING	1	
17	97023-06020-00	. BOLT (3XF)	1	
18	90386-05111-00	. BUSH, SPEC'L NYLON	1	
19	97003-06012-00	. BOLT (97001-06012)	7	
20	J14-86162-00-00	. CONTACT, STATE	5	
21	J14-82103-00-00	. TERMINAL 1	1	
22	J14-86153-00-00	. CONTACT, MOVING	1	
23	J22-82104-00-00	. TERMINAL 2	1	
24	J14-86144-01-00	. LEVER, CONTROLLER	1	
25	J14-86156-00-00	. HOLDER, SHAFT	1	
26	92990-06600-00	. WASHER, PLATE	2	
27	97021-06030-00	. BOLT	1	

CONTINUED ON NEXT FRAME ►

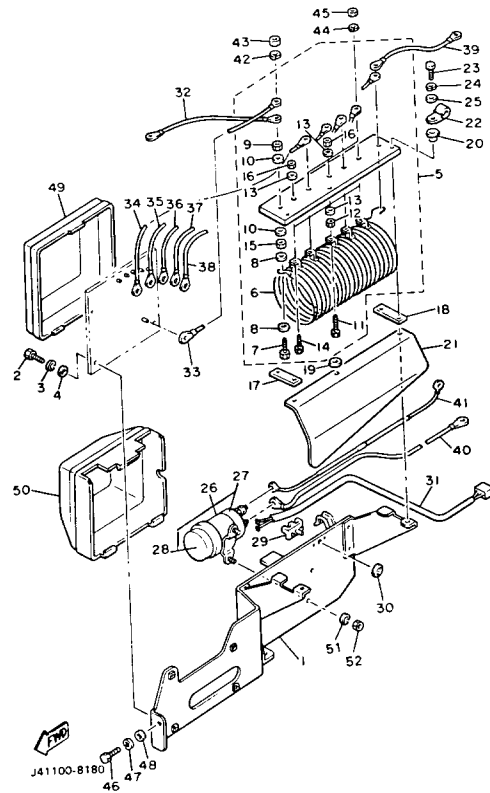
# CONTROLLER 1



J41100-8170

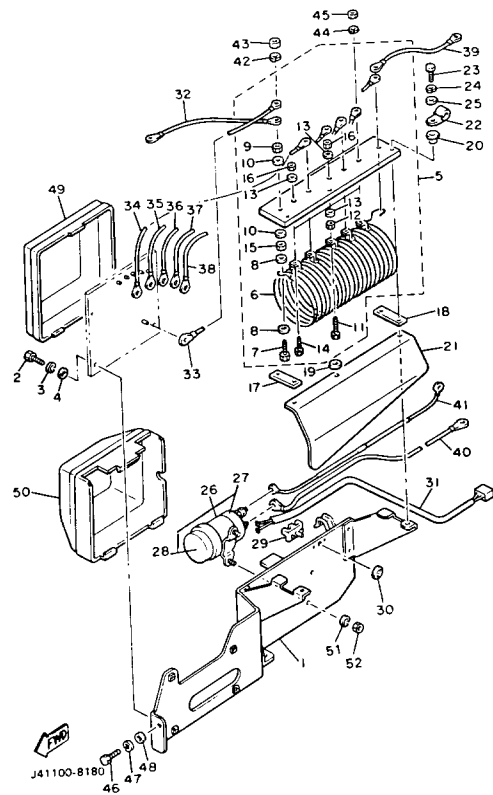
Ref. No.	Part Number	Description	Qty	Remarks
28	92990-10200-00	. WASHER, PLAIN .....	1	
29	95303-08600-00	. NUT .....	2	
30	92990-08100-00	. WASHER .....	2	
31	J22-86158-00-00	. SPRING, COMPRESSION .....	1	
32	92995-06100-00	. WASHER, SPRING .....	15	

## CONTROLLER 2



Ref. No.	Part Number	Description	Qty	Remarks
1	J41-86141-00-00	PLATE, CONTROLLER	1	
2	97313-06016-00	BOLT, HEXAGON	4	
3	92995-06100-00	WASHER, SPRING	4	
4	92990-06600-00	WASHER, PLATE	4	
5	J51-85370-00-00	RESISTOR ASSEMBLY	1	
6	J51-85370-00-00	RESISTOR ASSEMBLY	1	
7	90101-08470-00	. BOLT	2	
8	90201-083F1-00	. WASHER, PLATE	4	
9	95303-08700-00	. NUT	2	
10	92990-08600-00	. WASHER, PLATE	4	
11	90101-06469-00	. BOLT	4	
12	95380-06700-00	. NUT	6	
13	92990-06600-00	. WASHER, PLATE	10	
14	97011-06025-00	. BOLT (97001-06025)	1	
15	95320-08700-00	. NUT	2	
16	95320-06600-00	. NUT	4	
17	J46-8257L-00-00	PLATE, INSULATOR	1	
18	J46-8250X-00-00	PLATE, INSULATOR	1	
19	J46-8253F-00-00	INSULATOR 2	1	
20	J46-8253E-00-00	INSULATOR 1	3	
21	J14-85379-00-00	COVER, RESISTOR	1	
22	90465-08028-00	CLAMP	1	
23	97011-06025-00	BOLT (97001-06025)	3	
24	92995-06100-00	WASHER, SPRING	3	
25	92990-06600-00	WASHER, PLATE	3	
26	J41-81950-00-00	RELAY ASSEMBLY.	1	
27	J41-81920-09-00	. G2A/E SLND RBLDKIT	1	
28	J38-8195R-00-00	. RUBBER BOOT	1	
29	J22-86159-00-00	HOLDER, WIRE	1	

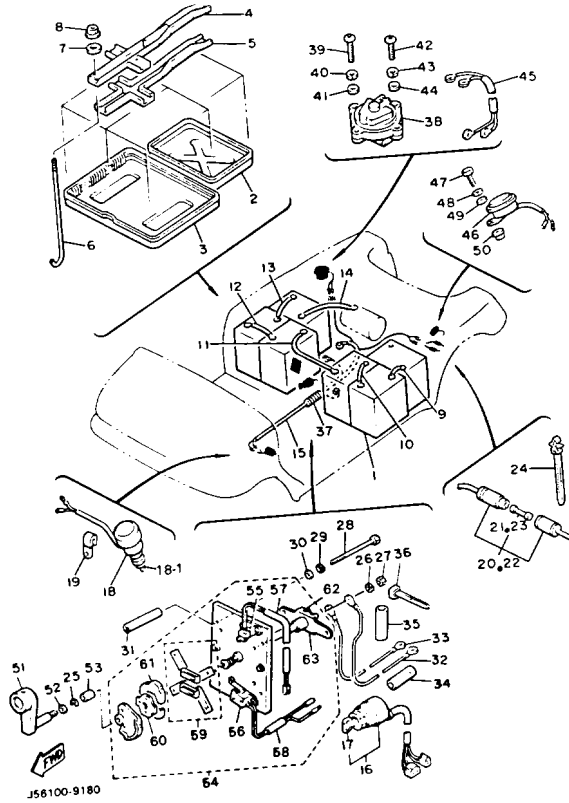
CONTINUED ON NEXT FRAME ►



## CONTROLLER 2

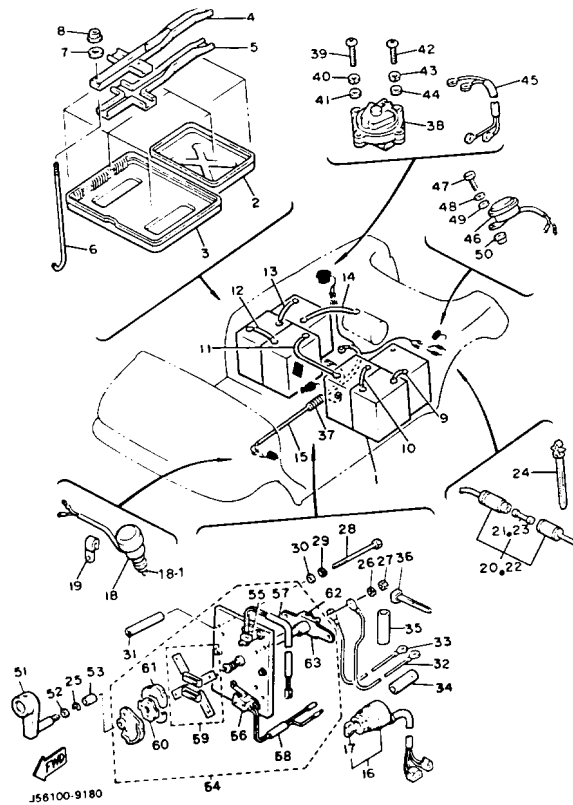
Ref. No.	Part Number	Description	Qty	Remarks
30	J22-86143-00-00	NUT, SPECIAL	1	
31	J41-86177-00-00	WIRE, LEAD 7	1	
32	J41-86176-00-00	WIRE, LEAD	1	
33	J14-82507-00-00	WIRE, LEAD	1	
34	J14-86175-00-00	WIRE, LEAD 5	1	
35	J14-86175-00-00	WIRE, LEAD 5	1	
36	J14-86175-00-00	WIRE, LEAD 5	1	
37	J14-86175-00-00	WIRE, LEAD 5	1	
38	J14-86175-00-00	WIRE, LEAD 5	1	
39	J56-H2117-00-00	WIRE, LEAD	1	
40	J56-H2117-00-00	WIRE, LEAD	1	
41	J14-82531-00-00	WIRE, LEAD	1	
42	92990-08100-00	WASHER	2	
43	95303-08700-00	NUT	2	
44	92995-06100-00	WASHER, SPRING	4	
45	95380-06700-00	NUT	4	
46	97022-08016-00	BOLT	2	
47	92990-08100-00	WASHER	2	
48	92990-08600-00	WASHER, PLATE	2	
49	J56-H6163-00-00	COVER, CONTROLLER	1	
50	J56-H1942-00-00	COVER (J22-81942-00)	1	
51	92990-08100-00	WASHER	2	
52	95303-08700-00	NUT	2	

# ELECTRICAL 1



Ref. No.	Part Number	Description	Qty	Remarks
1	*---	FRONT WHEEL ASSEMBLY ..	6	See Note
2	J56-H2122-00-00	SEAT, BATTERY .....	2	
3	J56-H2123-00-00	SEAT, BATTERY .....	2	
4	J41-82136-01-00	PLATE, BATTERY FITTING ...	2	
5	J41-82121-00-00	PAD, BATTERY .....	2	
6	J14-82133-01-00	SCREW, FITTING .....	4	
7	90201-06067-00	WASHER, PLATE .....	4	
8	95701-06500-00	NUT, FLANGE .....	4	
9	J56-H2127-00-00	WIRE, LEAD 2 .....	1	
10	J56-H2117-00-00	WIRE, LEAD .....	1	
11	J56-H2149-00-00	WIRE, LEAD 3 .....	1	
12	J56-H2127-00-00	WIRE, LEAD 2 .....	1	
13	J56-H2117-00-00	WIRE, LEAD .....	1	
14	J56-H2116-00-00	WIRE, MINUS LEAD (J14-82116-00) .....	1	
15	J43-82590-00-00	WIRE HARNESS ASS'Y (J41-82590-00) .....	1	
16	J55-82510-00-00	MAIN SWITCH ASSEMBLY ...	1	
17	J17-82511-20-00	. KEY, MAIN SWITCH .....	2	
18	J41-82550-00-00	STOP SWITCH ASSEMBLY ...	1	
19	90465-06038-00	CLAMP .....	1	
20	1E6-82150-00-00	FUSE HOLDER ASSEMBLY ...	1	
21	1E6-82151-00-00	. FUSE (10A) .....	2	
22	1E6-82150-00-00	FUSE HOLDER ASSEMBLY ...	1	
23	1E6-82151-00-00	. FUSE (10A) .....	2	
24	90464-12036-00	CLAMP .....	2	
25	99001-08600-00	CIRCLIP .....	1	
26	92995-06100-00	WASHER, SPRING .....	4	
27	95380-06600-00	NUT .....	4	

CONTINUED ON NEXT FRAME ►

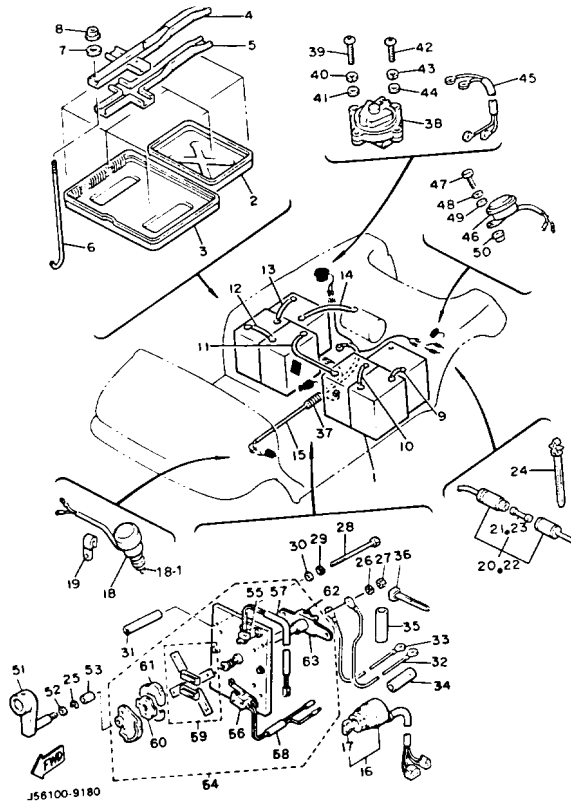


# ELECTRICAL 1

Ref. No.	Part Number	Description	Qty	Remarks
28	97021-06080-00	BOLT (97001-06080-00)	4	
29	92995-06100-00	WASHER, SPRING	4	
30	92990-06600-00	WASHER, PLATE	4	
31	90387-061M8-00	COLLAR	4	
32	J56-H2531-00-00	WIRE, LEAD	1	
33	J56-H2531-00-00	WIRE, LEAD	1	
34	J56-H7198-00-00	TUBE 2 (J22-87197-00)	1	
35	J56-H7197-00-00	TUBE 2	1	
36	90464-13073-00	CLAMP	1	
37	J56-H7196-00-00	TUBE 1	1	
38	JF3-86181-00-00	RECEPTACLE	1	
39	98506-05035-00	SCREW, PAN HEAD	2	
40	92906-05100-00	WASHER, SPRING	2	
41	92906-05600-00	WASHER, PLATE	2	
42	98506-05016-00	SCREW, PAN HEAD	2	
43	92906-05100-00	WASHER, SPRING	2	
44	92906-05600-00	WASHER, PLATE	2	
45	J41-82542-00-00	WIRE, LEAD	1	
46	J14-83383-01-00	BUZZER	1	
47	97313-06016-00	BOLT, HEXAGON	1	
48	92995-06100-00	WASHER, SPRING	1	
49	92990-06600-00	WASHER, PLATE	1	
50	95702-06600-00	NUT, FLANGE	1	
51	J41-46381-00-00	KNOB, SHIFT	1	
52	90201-12474-00	WASHER, PLATE	1	
53	J41-46394-00-00	JOINT	1	
54	J41-82917-01-00	SWITCH	1	
55	J41-82617-00-00	. SWITCH	1	
56	J41-82817-00-00	. MICRO SWITCH	1	

CONTINUED ON NEXT FRAME ►

# ELECTRICAL 1



Ref. No.	Part Number	Description	Qty	Remarks
57	J41-8253R-00-00	. WIRE, LEAD 1 .....	1	
58	J41-8253T-00-00	. WIRE, LEAD 2 .....	1	
59	J41-8250H-09-00	. CONTACT PLATE COMP .....	1	
60	J41-82388-00-00	. PLATE .....	1	
61	J41-82915-00-00	. HOLDER 1 .....	1	
62	J41-8250T-09-00	. PLATE ACTION COMP .....	1	
63	91609-40040-00	. PIN, SPRING .....	1	
18-1	JF2-82532-00-00	. CAP, RUBBER .....	1	

# TECHNICAL BULLETIN

GOLF CAR      DATE: 1/21/88      BY: G88-001

## SELF-ADJUSTING BRAKE MODELS CORRECT INSTALLATION

**INTRODUCTION**

**PROBLEM:** During the brake reassembly, shoes and springs on vehicles with self-adjusting brakes can be assembled incorrectly.

**CAUSE:** The service manuals are incorrect and incomplete.

**BENEFIT:** Follow the assembly procedures in this bulletin to correctly assemble the brake shoes.

**DEALER ACTION SUMMARY**

1. Make notes in all service manuals to refer to this bulletin for correct self-adjusting brake assembly procedures, or insert copies of this bulletin in the appropriate places in the service manuals.
2. Make sure all service personnel are aware of the correct assembly procedures.

**NOTE:** The correct brake assembly information will be included with all manuals available in the future from YPD after date of this bulletin.

**AFFECTED UNITS**

All G1, G2, and G3 units with self-adjusting brakes.

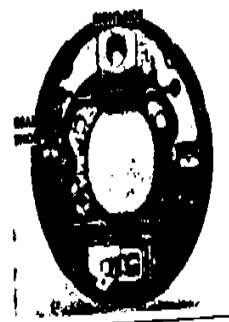
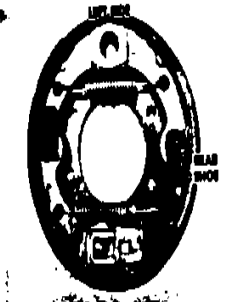
### CORRECT ASSEMBLY PROCEDURES

1. Locate the longer brake shoe and install it toward the rear of the car.

**NOTE:** A very light coating of grease should be applied to the toes of all shoes where they contact the adjusters and anchor bodies. Do not overgrease.

2. Hook the lower brake shoe return spring from underneath the front shoe and over the rear shoe as pictured. The long leg of the spring goes to the rear shoe.

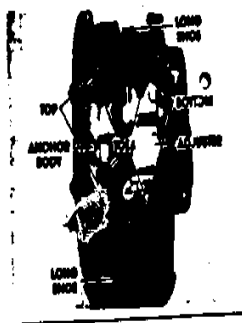
3. Hook the top brake shoe return spring from underneath, as pictured.



### CORRECT ASSEMBLY PROCEDURES (Cont'd.)

**NOTE:** The long rear shoe on each side has one triangular-shaped end, and one that is cut away. The cutaway ends of both shoes go to the top or anchor body, as pictured.

**NOTE:** The top end of each shoe has a number stamped in it.



**WARRANTY INFORMATION**

This bulletin is issued for informational purposes only. No special warranty applies.

# TECHNICAL BULLETIN

GOLF CAR      DATE: 3/17/88      BY: G88-003

## G2-A/G2-E SOLENOID REPAIR KIT

**INTRODUCTION**

**PROBLEM:** Solenoid plunger moves, but solenoid does not operate.

**CAUSE:** Internal moving parts or contacts worn or damaged.

**BENEFIT:** Install solenoid repair kit.

**NOTE:** If the solenoid coil is bad, the complete solenoid must be replaced. (The solenoid coil is bad if the solenoid plunger does not move when power is applied directly to the solenoid coil wires, or if there is no continuity between the two solenoid coil wires [measured with an ohmmeter with the battery cables and wire harness disconnected.]

If the coil is good, the ohmmeter should read  $6\Omega \pm 10\%$  (J-41) or  $7\Omega \pm 10\%$  (J-38). Any higher readings indicate a shorted or grounded coil.

**DEALER ACTION SUMMARY**

If a solenoid plunger moves, but the solenoid does not operate properly, a repair kit may be installed, using the service procedures in this bulletin.

**AFFECTED UNITS**

All G2-A J38  
All G2-E J41

**SERVICE PROCEDURES**

Turn the main switch off, and disconnect the negative battery lead. Secure the battery lead so it cannot contact the battery terminal, and remove the solenoid.

**NOTE:** Refer to the PARTS INFORMATION section to view all parts named in the following procedures.

### DISASSEMBLY

1. Remove the cover screws and loosen the end cap.

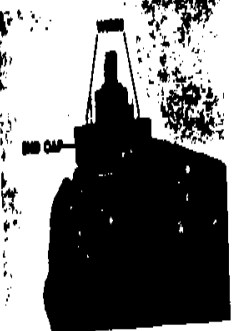
Do not try to remove the cap at this point. The coil wires are still attached and will easily break if any strain is put on them.



### DISASSEMBLY (Cont'd.)

2. Heat the terminals at the top of the cap to melt the solder that holds the coil wires. Only when the solder is fluid, pull upward on the cap and allow the wires to slip out. Discard the old cap and seal.

Do not pull on the end cap until the solder has melted. The coil wires will break.



3. Remove the rubber cover, and underneath, the two screws, the plate, and the two coils.

4. Remove the contact plate by removing the small nut holding it to the shaft and plunger assembly.



5. Discard the plunger, shaft, and contact plate and parts. Keep the large spring and insulator for use in reassembly.

### REASSEMBLY

**WARNING**

Failure to follow these reassembly and plunger adjustment instructions properly can cause the solenoid to engage by itself, with the following possible consequences:

- A. ELECTRIC CAR — WITH BRAKE ON: Overheating of the resistor coils and motor, resulting in serious damage to these components.
- B. ELECTRIC CAR — WITH BRAKE OFF: The car may move without an operator.
- C. GAS CAR — WITH BRAKE ON OR OFF: The starter motor will operate without the accelerator pedal being pressed. Under certain conditions, the car can move without an operator.