



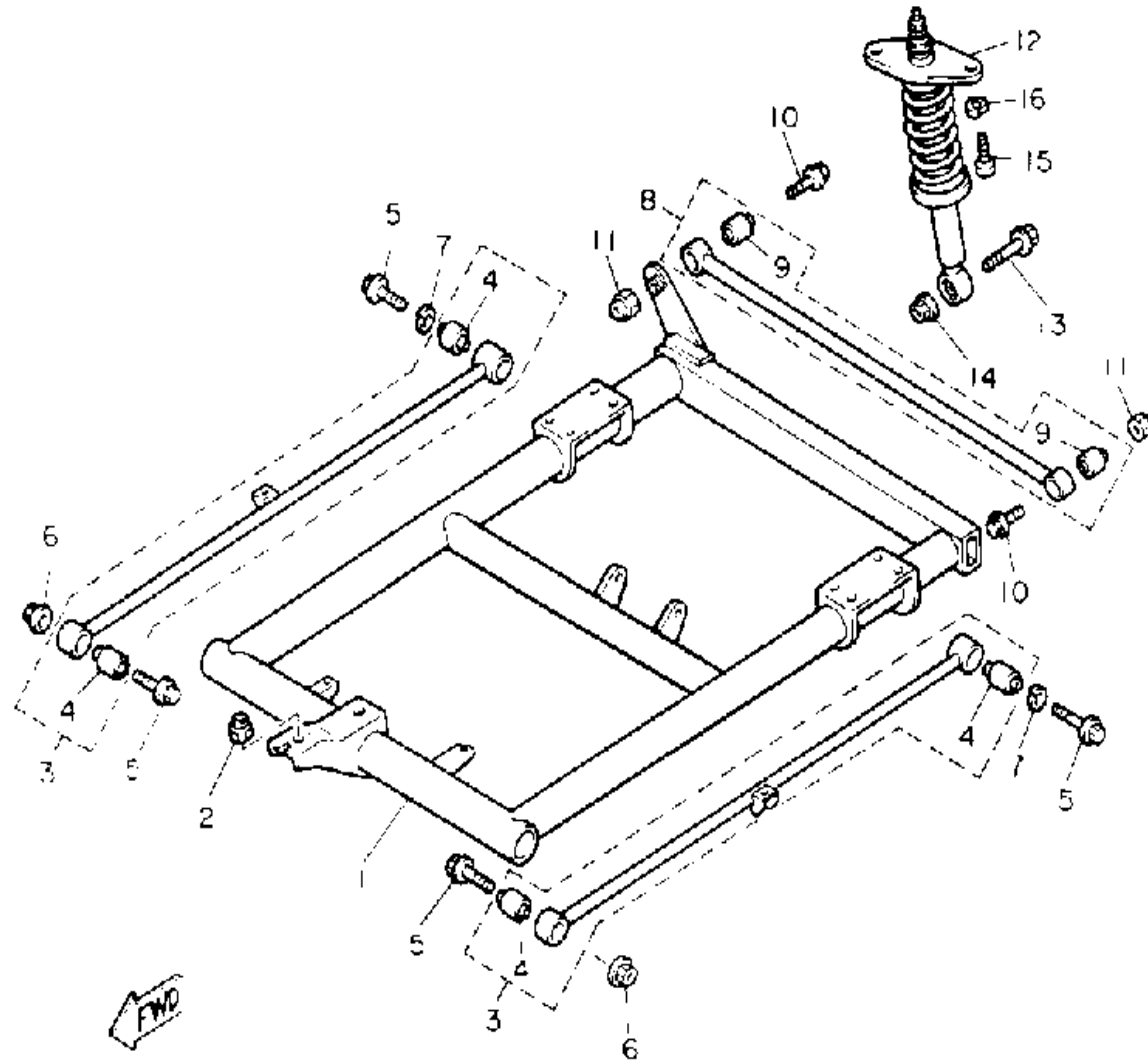
**YAMAHA**

**GENUINE**

**PARTS CATALOGUE**

**GOLF CAR**

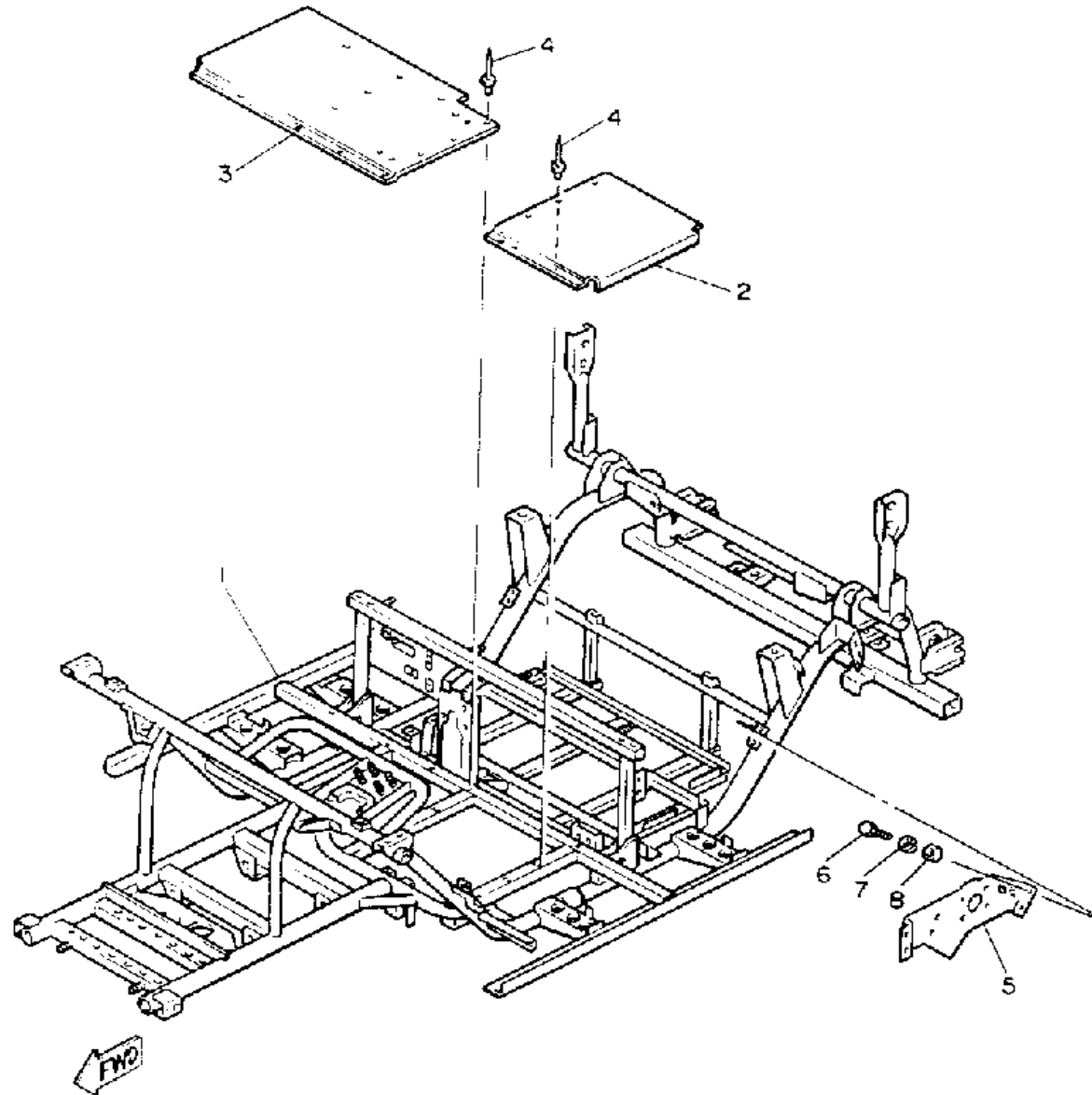
## REAR SHOCKS



J51100-9010

| Ref. No. | Part Number     | Description             | Qty | Remarks |
|----------|-----------------|-------------------------|-----|---------|
| 1        | J51-F2110-00-00 | REAR ARM COMP. ....     | 1   |         |
| 2        | 90185-10115-00  | NUT, SELF-LOCKING ....  | 2   |         |
| 3        | J50-22171-00-00 | ARM, REAR 1 ....        | 2   |         |
| 4        | J50-22124-00-00 | . BUSH 2 ....           | 2   |         |
| 5        | 95812-12065-00  | BOLT, FLANGE ....       | 4   |         |
| 6        | 90185-12072-00  | NUT, SELF-LOCKING ....  | 2   |         |
| 7        | 92901-12100-00  | WASHER, SPRING ....     | 2   |         |
| 8        | J50-22172-00-00 | ARM, REAR 2 ....        | 1   |         |
| 9        | J50-22124-00-00 | . BUSH 2 ....           | 2   |         |
| 10       | 95812-12065-00  | BOLT, FLANGE ....       | 2   |         |
| 11       | 90185-12072-00  | NUT, SELF-LOCKING ....  | 2   |         |
| 12       | J51-F2201-00-00 | DAMPER SUB ASSEMBLY, RR | 2   |         |
| 13       | 95812-12055-00  | BOLT, FLANGE ....       | 2   |         |
| 14       | 90185-12072-00  | NUT, SELF-LOCKING ....  | 2   |         |
| 15       | 97011-08016-00  | BOLT ....               | 4   |         |
| 16       | 92990-08100-00  | WASHER ....             | 4   |         |

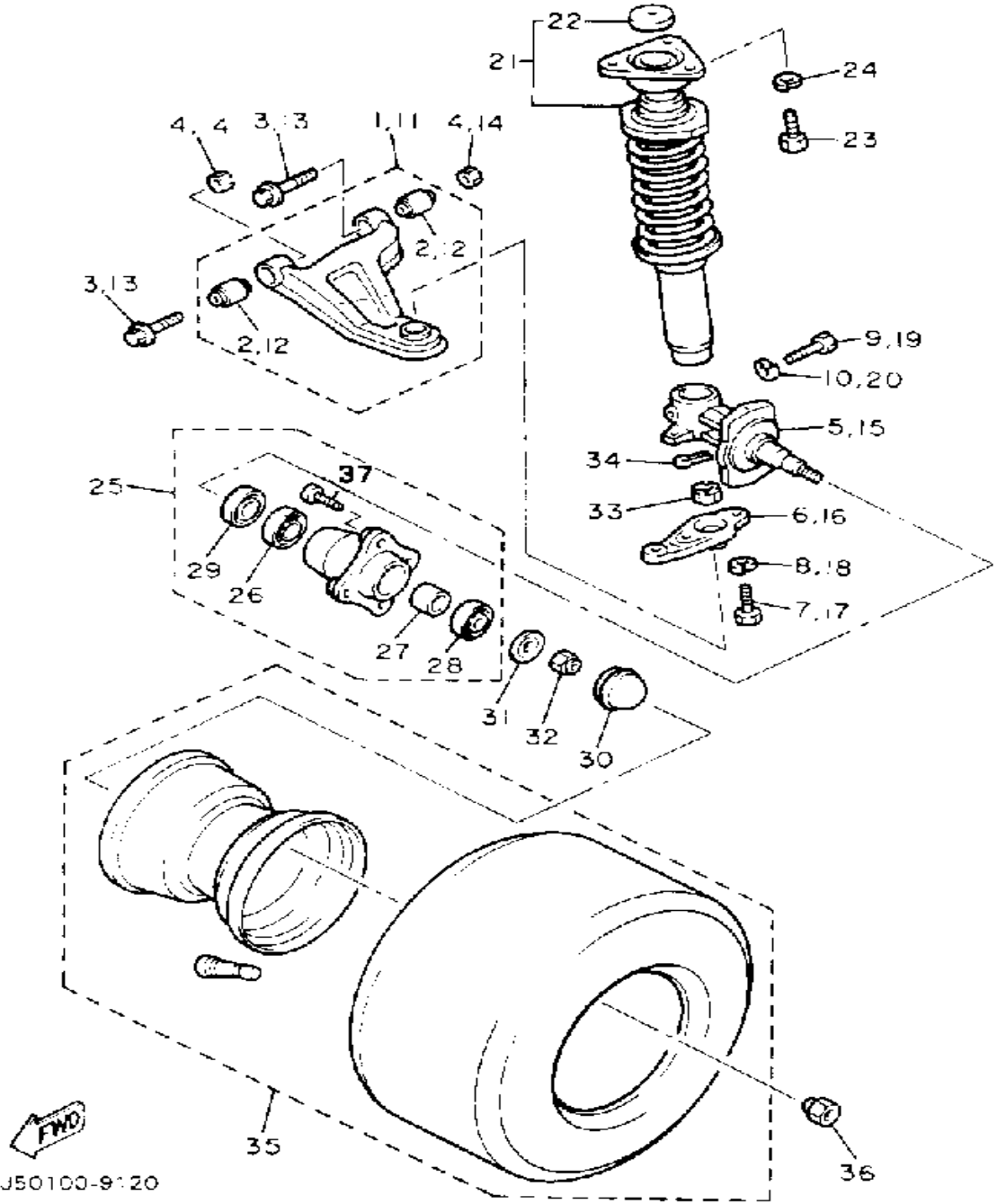
# FRAME



J51100-9020

| Ref. No. | Part Number     | Description         | Qty | Remarks |
|----------|-----------------|---------------------|-----|---------|
| 1        | J51-F2501-00-00 | FRAME COMP .....    | 1   |         |
| 2        | J50-22571-00-00 | PANEL 1 .....       | 1   |         |
| 3        | J50-22572-00-00 | PANEL 2 .....       | 1   |         |
| 4        | 90267-40054-00  | RIVET, BLIND .....  | 16  |         |
| 5        | J51-2252K-00-00 | STAY, SHIFT .....   | 1   |         |
| 6        | 97011-08016-00  | BOLT .....          | 4   |         |
| 7        | 92990-08100-00  | WASHER .....        | 4   |         |
| 8        | 92990-08600-00  | WASHER, PLATE ..... | 4   |         |

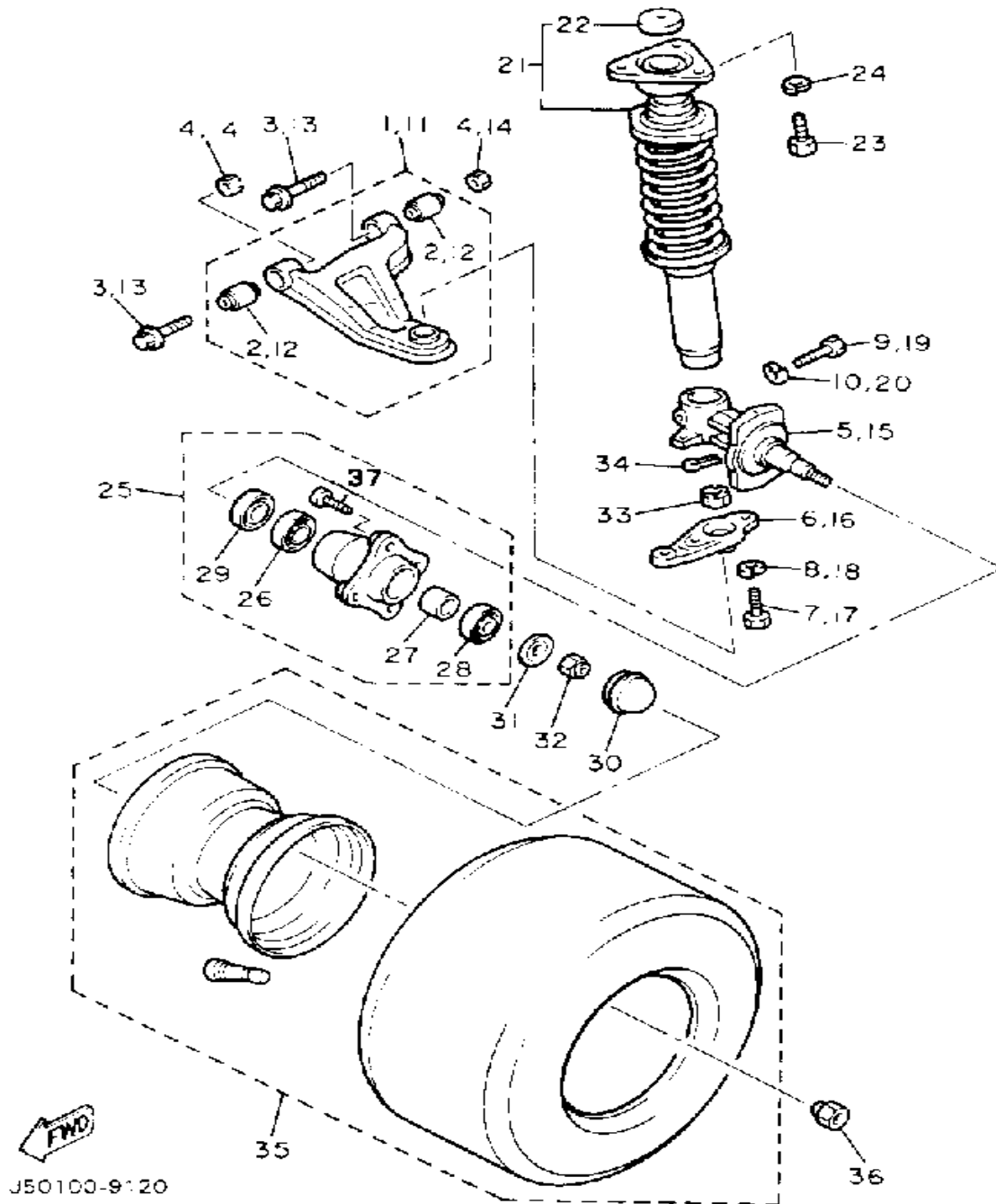
# FRONT SUSPENSION - WHEEL



| Ref. No. | Part Number     | Description                   | Qty | Remarks |
|----------|-----------------|-------------------------------|-----|---------|
| 1        | J50-23507-00-00 | FRT.LW.ARM SUB-ASSEMBLY (L.H) | 1   |         |
| 2        | J38-23526-00-00 | . BUSH                        | 2   |         |
| 3        | 95811-10070-00  | BOLT, flange (95812-10070-00) | 2   |         |
| 4        | 90185-10115-00  | NUT, SELF-LOCKING             | 2   |         |
| 5        | J51-23511-00-00 | KNUCKLE, STEERING 1           | 1   |         |
| 6        | J50-23512-00-00 | ARM, KNUCKLE 1                | 1   |         |
| 7        | 90101-12687-00  | BOLT                          | 2   |         |
| 8        | 92990-12100-00  | WASHER, SPRING                | 2   |         |
| 9        | 97022-08040-00  | BOLT (83L)                    | 1   |         |
| 10       | 92990-08100-00  | WASHER                        | 1   |         |
| 11       | J50-23508-00-00 | FRT.LW.ARM SUB-ASSEMBLY (R.H) | 1   |         |
| 12       | J38-23526-00-00 | . BUSH                        | 2   |         |
| 13       | 95811-10070-00  | BOLT, flange (95812-10070-00) | 2   |         |
| 14       | 90185-10115-00  | NUT, SELF-LOCKING             | 2   |         |
| 15       | J51-23511-00-00 | KNUCKLE, STEERING 1           | 1   |         |
| 16       | J50-23522-00-00 | ARM, KNUCKLE 2                | 1   |         |
| 17       | 90101-12687-00  | BOLT                          | 2   |         |
| 18       | 92990-12100-00  | WASHER, SPRING                | 2   |         |
| 19       | 97022-08040-00  | BOLT (83L)                    | 1   |         |
| 20       | 92990-08100-00  | WASHER                        | 1   |         |
| 21       | J51-F330E-00-00 | DAMPER ASSEMBLY, FRONT        | 2   |         |
| 22       | J50-23384-00-00 | . COVER, DUST SEAL 2          | 1   |         |
| 23       | 97090-08020-00  | BOLT                          | 6   |         |
| 24       | 92990-08100-00  | WASHER                        | 6   |         |
| 25       | J50-F5110-00-00 | HUB ASSEMBLY, FRONT           | 2   |         |
| 26       | 93306-20567-00  | . BEARING                     | 1   |         |

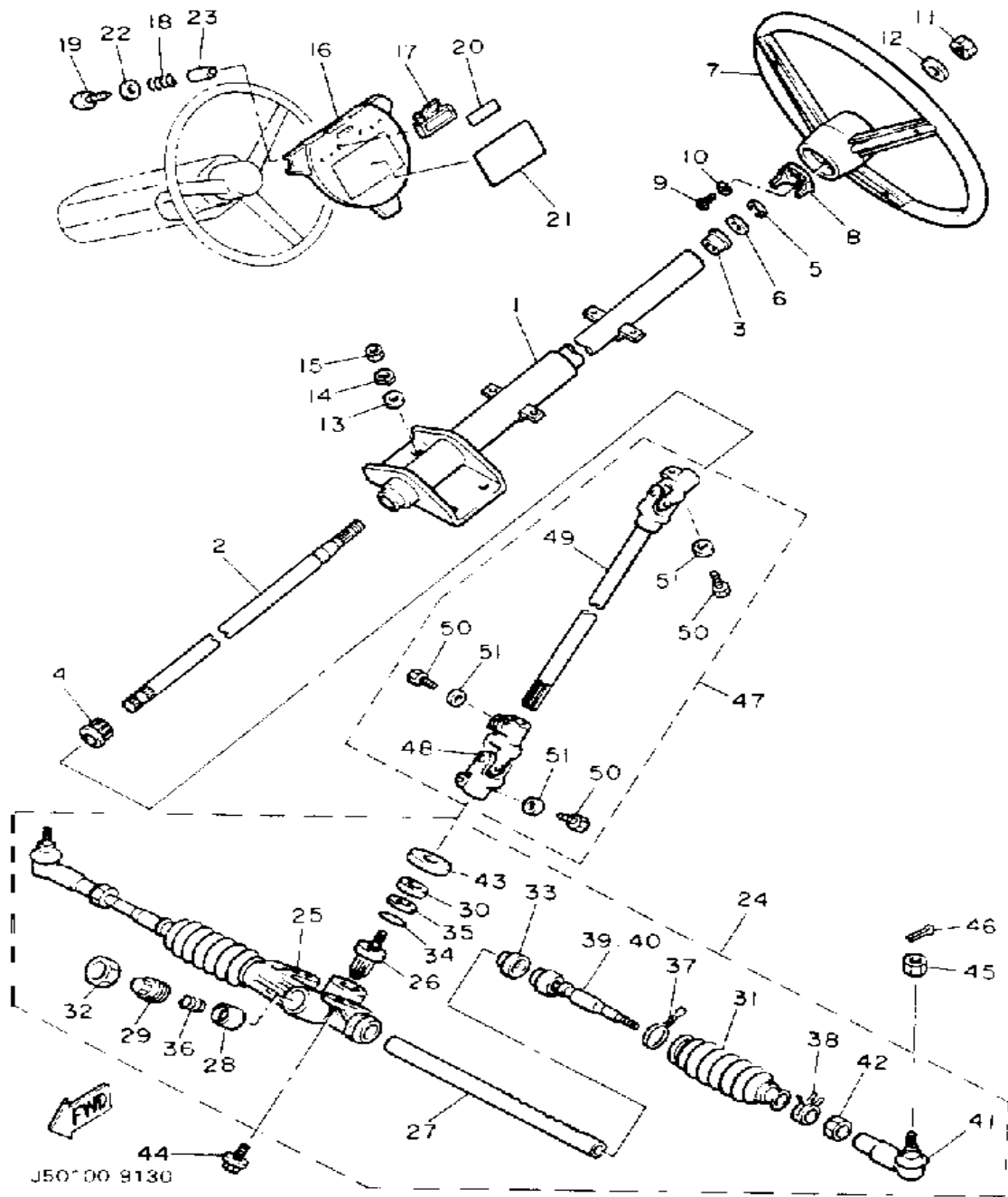
CONTINUED ON NEXT FRAME ►

# FRONT SUSPENSION - WHEEL



| Ref. No. | Part Number     | Description                   | Qty | Remarks  |
|----------|-----------------|-------------------------------|-----|----------|
| 27       | J50-25183-00-00 | . COLLAR, WHEEL .....         | 1   |          |
| 28       | 93306-00507-00  | . BEARING (B6005) .....       | 1   |          |
| 29       | 93102-35412-00  | . OIL SEAL .....              | 1   |          |
| 30       | J17-25118-00-00 | COVER, HUB DUST .....         | 2   |          |
| 31       | 90209-32271-00  | WASHER .....                  | 2   |          |
| 32       | 95601-14100-00  | NUT, U (95602-14100-00) ..... | 2   |          |
| 33       | 90171-10004-00  | NUT, CASTLE .....             | 2   |          |
| 34       | 91401-25030-00  | PIN, COTTER .....             | 2   |          |
| 35       | *---            | FRONT WHEEL ASSEMBLY ..       | 2   | SEE NOTE |
| 36       | 90179-12262-00  | NUT .....                     | 8   |          |
| 37       | 90114-12003-00  | BOLT, RIBBED NECK .....       | 8   |          |

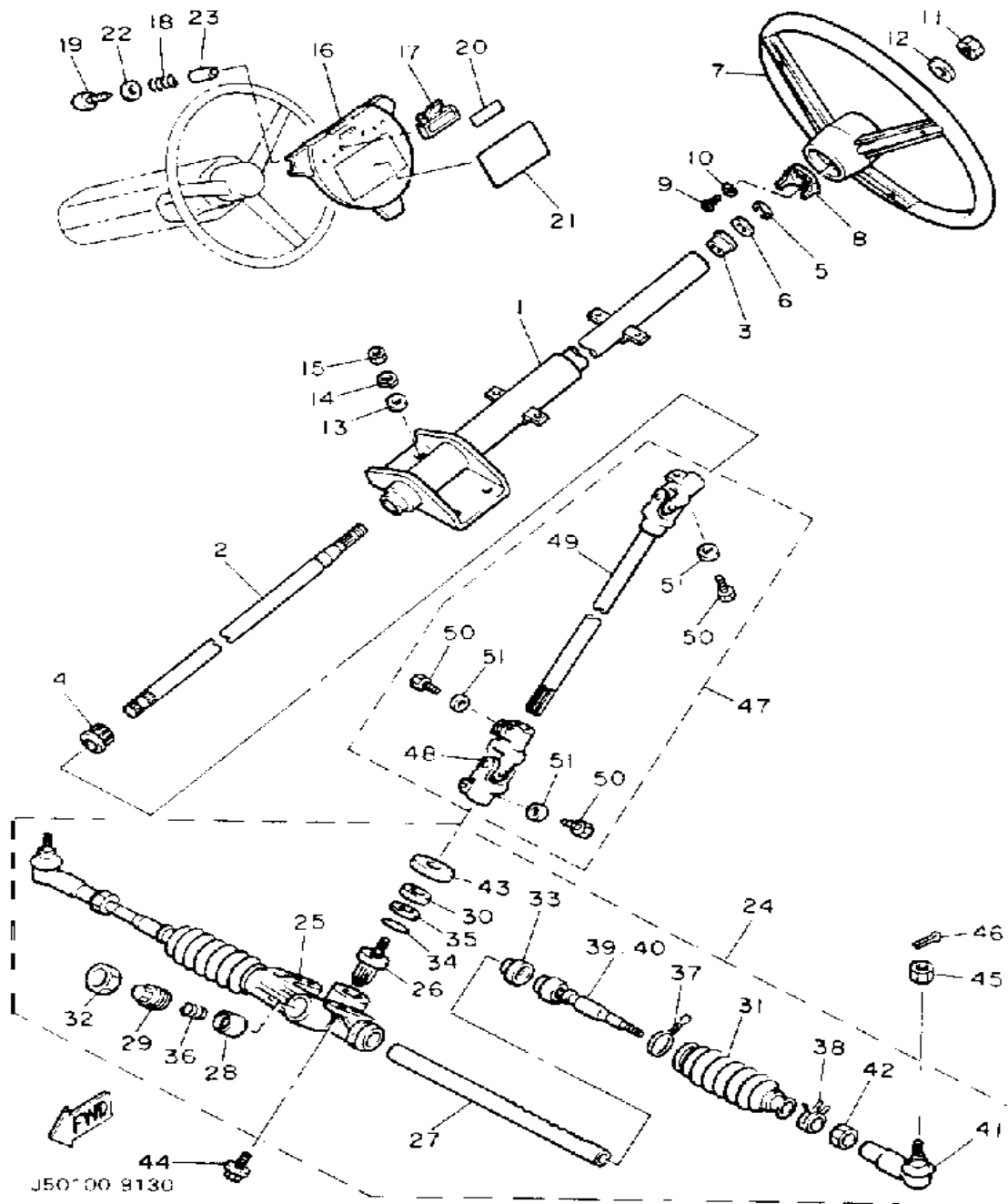
# STEERING



| Ref. No. | Part Number     | Description                            | Qty | Remarks      |
|----------|-----------------|--|-----|--------------|
| 1        | J50-23811-00-00 | COLUMN, STEERING                       | 1   |              |
| 2        | J50-23828-00-00 | ROD, STEERING                          | 1   |              |
| 3        | J50-23814-00-00 | HOLDER, HANDLE UPR                     | 1   |              |
| 4        | J50-23857-00-00 | WASHER, LOCK                           | 1   |              |
| 5        | 99009-16400-00  | CIRCLIP                                | 1   |              |
| 6        | 90201-16245-00  | WASHER, PLATE                          | 1   |              |
| 7        | J50-F3838-00-00 | WHEEL, STEERING                        | 1   | J42-23838-00 |
| 8        | J42-23839-00-00 | PIN, CANCEL                            | 1   |              |
| 9        | 98580-04008-00  | SCREW, PAN HEAD                        | 3   |              |
| 10       | 92901-04100-00  | WASHER, SPRING                         | 3   |              |
| 11       | 90185-12119-00  | NUT, SELF-LOCKING                      | 1   |              |
| 12       | 92990-12200-00  | WASHER, PLAIN                          | 1   |              |
| 13       | 92990-08200-00  | WASHER, PLAIN                          | 4   |              |
| 14       | 92990-08100-00  | WASHER                                 | 4   |              |
| 15       | 95380-08600-00  | NUT                                    | 4   |              |
| 16       | J50-K8357-00-00 | HOLDER 1                               | 1   |              |
| 17       | J50-K8358-00-00 | HOLDER 2                               | 1   |              |
| 18       | 90502-10013-00  | SPRING, CONICAL                        | 2   |              |
| 19       | 97706-40525-00  | SCREW, TAPPING                         | 2   |              |
| 20       | J51-77763-00-00 | LABEL, WARNING 3                       | 1   |              |
| 21       | J50-77762-00-00 | LABEL, WARNING 2                       | 1   |              |
| 22       | 90201-044A2-00  | WASHER, PLATE                          | 2   |              |
| 23       | 90387-046N7-00  | COLLAR                                 | 2   |              |
| 24       | J50-23400-00-00 | STEERING ASSEMBLY                      | 1   |              |
| 25       | J50-2388A-00-00 | . HOUSING, STRG.GEAR<br>(J50-23824-00) | 1   |              |
| 26       | J50-2387A-00-00 | . PINION KIT                           | 1   |              |
| 27       | J50-2387E-00-00 | . GEAR, RACK                           | 1   |              |
| 28       | J50-2387F-00-00 | . PAD, PRESSURE                        | 1   |              |

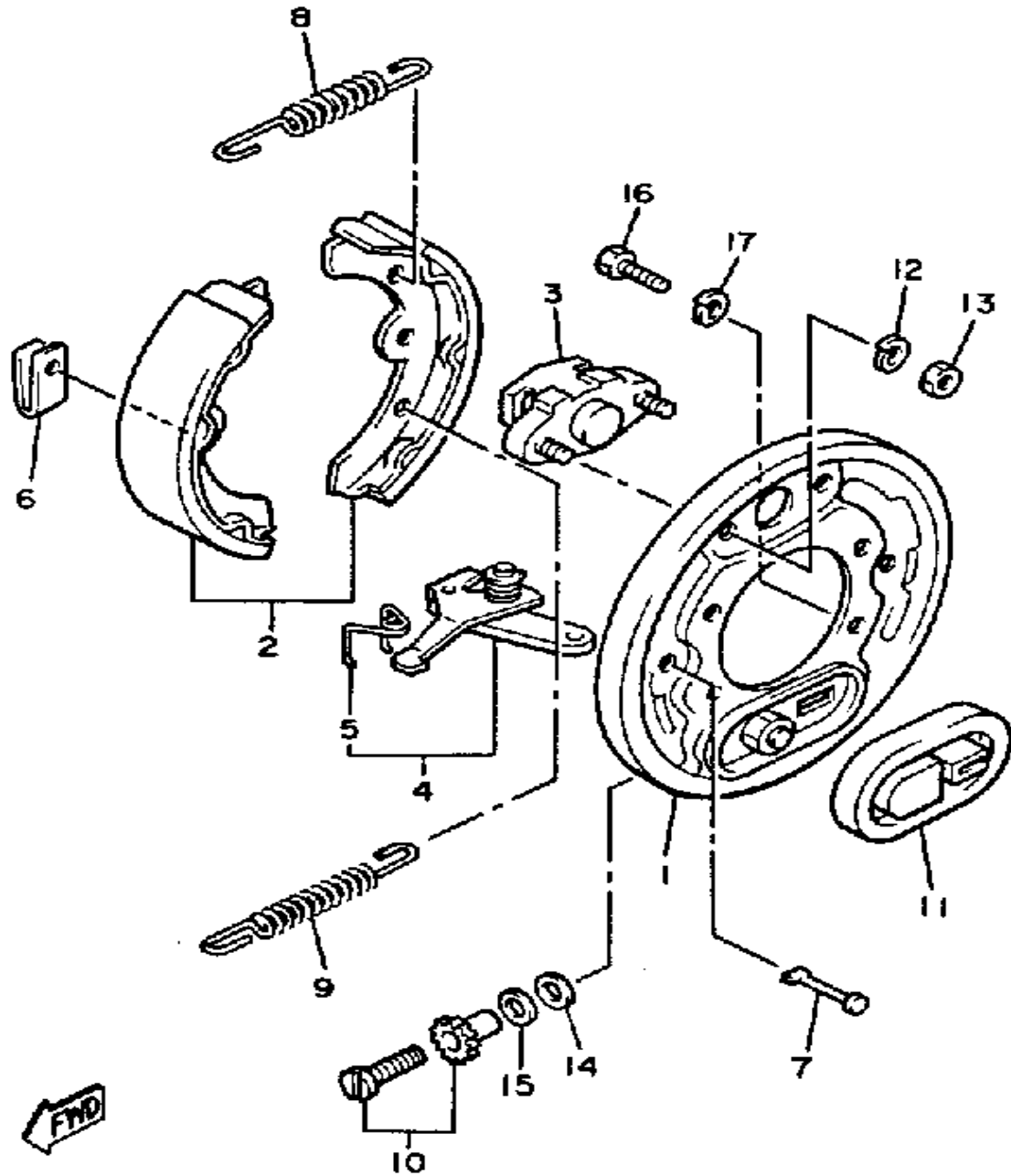
CONTINUED ON NEXT FRAME ►

# STEERING



| Ref. No. | Part Number     | Description                       | Qty | Remarks |
|----------|-----------------|-----------------------------------|-----|---------|
| 29       | J50-2387G-00-00 | . COVER, ADJUST .....             | 1   |         |
| 30       | J50-23844-00-00 | . SEAL .....                      | 1   |         |
| 31       | J50-2384M-00-00 | . BOOT .....                      | 2   |         |
| 32       | J50-23834-00-00 | . NUT 2 .....                     | 1   |         |
| 33       | J50-23894-00-00 | . WASHER, LOCK 1 .....            | 1   |         |
| 34       | J50-2387H-00-00 | . RING, SNAP .....                | 1   |         |
| 35       | J50-2387J-00-00 | . RING, STOPPER .....             | 1   |         |
| 36       | J50-2387K-00-00 | . SPRING, PRESSURE .....          | 1   |         |
| 37       | J50-23447-00-00 | . CLIP .....                      | 2   |         |
| 38       | J50-2384N-00-00 | . CLIP, RING .....                | 2   |         |
| 39       | J50-23831-00-00 | . ROD, TIE .....                  | 1   |         |
| 40       | J50-23837-00-00 | . ROD, TIE 2 .....                | 1   |         |
| 41       | J50-23841-00-00 | . UNAVAILABLE IN PRICE BOOK ..... | 2   |         |
| 42       | J50-23833-00-00 | . NUT 1 .....                     | 2   |         |
| 43       | J50-2384L-00-00 | . COVER, DUST .....               | 1   |         |
| 44       | 95822-10025-00  | BOLT, FLANGE .....                | 2   |         |
| 45       | 90171-10004-00  | NUT, CASTLE .....                 | 2   |         |
| 46       | 91402-25028-00  | PIN, COTTER .....                 | 2   |         |
| 47       | J50-23822-00-00 | JOINT 1 .....                     | 1   |         |
| 48       | J50-23832-00-00 | . JOINT 3 .....                   | 1   |         |
| 49       | J50-23823-00-00 | . JOINT 2 .....                   | 1   |         |
| 50       | J50-23876-00-00 | . BOLT .....                      | 3   |         |
| 51       | J50-23427-00-00 | . WASHER .....                    | 3   |         |

# BRAKE

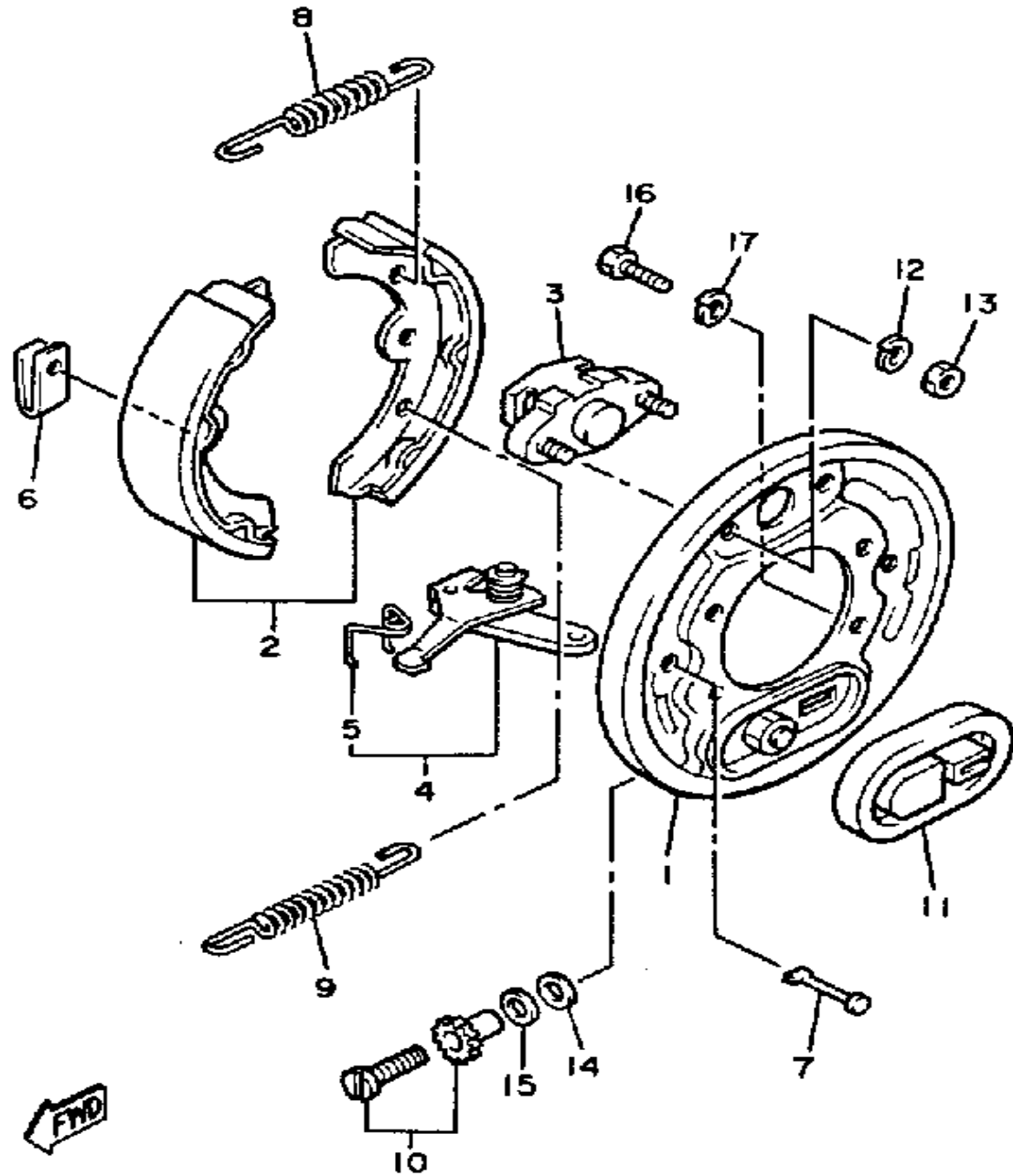


**FWD**  
JG5100-1170

| Ref. No. | Part Number     | Description           | Qty | Remarks |
|----------|-----------------|-----------------------|-----|---------|
| 1        | J46-27250-01-00 | BRAKE ARM CMLPT       | 1   |         |
| 2        | 90384-14080-00  | . BUSH, BIMETAL       | 2   |         |
| 3        | J10-27211-00-00 | PEDAL, BRAKE          | 1   |         |
| 4        | J17-25670-01-00 | PARKING PEDAL COMP.   | 1   |         |
| 5        | 90384-05163-00  | . BUSH, BIMETAL       | 1   |         |
| 6        | 90384-12164-00  | . BUSH, BIMETAL       | 1   |         |
| 7        | 90380-12051-00  | . BUSH, SOLID         | 1   |         |
| 8        | 90101-06555-00  | BOLT, HEX.            | 1   |         |
| 9        | 90179-07564-00  | NUT                   | 1   |         |
| 10       | 90508-23542-00  | SPRING, TORSION       | 1   |         |
| 11       | 90109-08669-00  | BOLT                  | 1   |         |
| 12       | 92990-08100-00  | WASHER                | 1   |         |
| 13       | 90179-08378-00  | NUT                   | 1   |         |
| 14       | J17-25679-01-00 | DAMPER                | 2   |         |
| 15       | 92990-08200-00  | WASHER, PLAIN         | 1   |         |
| 16       | J17-W2561-00-00 | SECTOR, PARKING BRAKE | 1   |         |
| 17       | J17-27221-00-00 | SEAL, SHAFT           | 2   |         |
| 18       | 92990-10600-00  | WASHER, PLATE         | 1   |         |
| 19       | 99080-07600-00  | CIRCLIP (E)           | 1   |         |
| 20       | 90508-14548-00  | SPRING, TORSION       | 1   |         |
| 21       | J17-25672-01-00 | PAD, PARKING          | 1   |         |
| 22       | J17-27231-02-00 | ROD, BRAKE            | 1   |         |
| 23       | J17-27232-00-00 | END, ROD              | 1   |         |
| 24       | 95380-06700-00  | NUT                   | 2   |         |
| 25       | 90506-12277-00  | SPRING, TENSION       | 1   |         |
| 26       | J17-25673-00-00 | DAMPER, BRAKE         | 1   |         |
| 27       | J17-27228-00-00 | PIN, LINK JOINT       | 1   |         |
| 28       | 92901-05600-00  | WASHER, PLATE         | 1   |         |
| 29       | 99080-04600-00  | CIRCLIP (E)           | 1   |         |

CONTINUED ON NEXT FRAME ➤

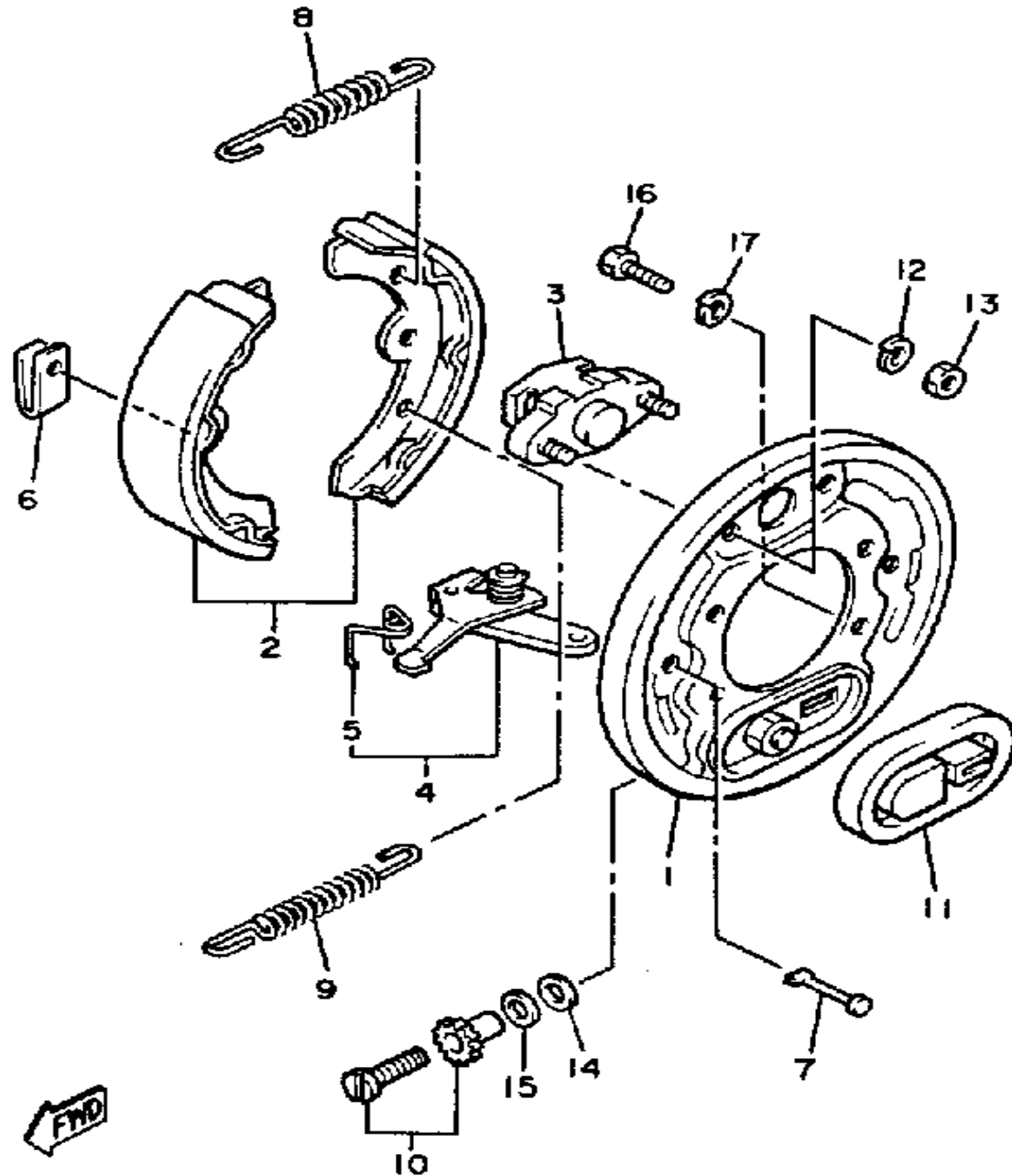
# BRAKE



JG5100-1170

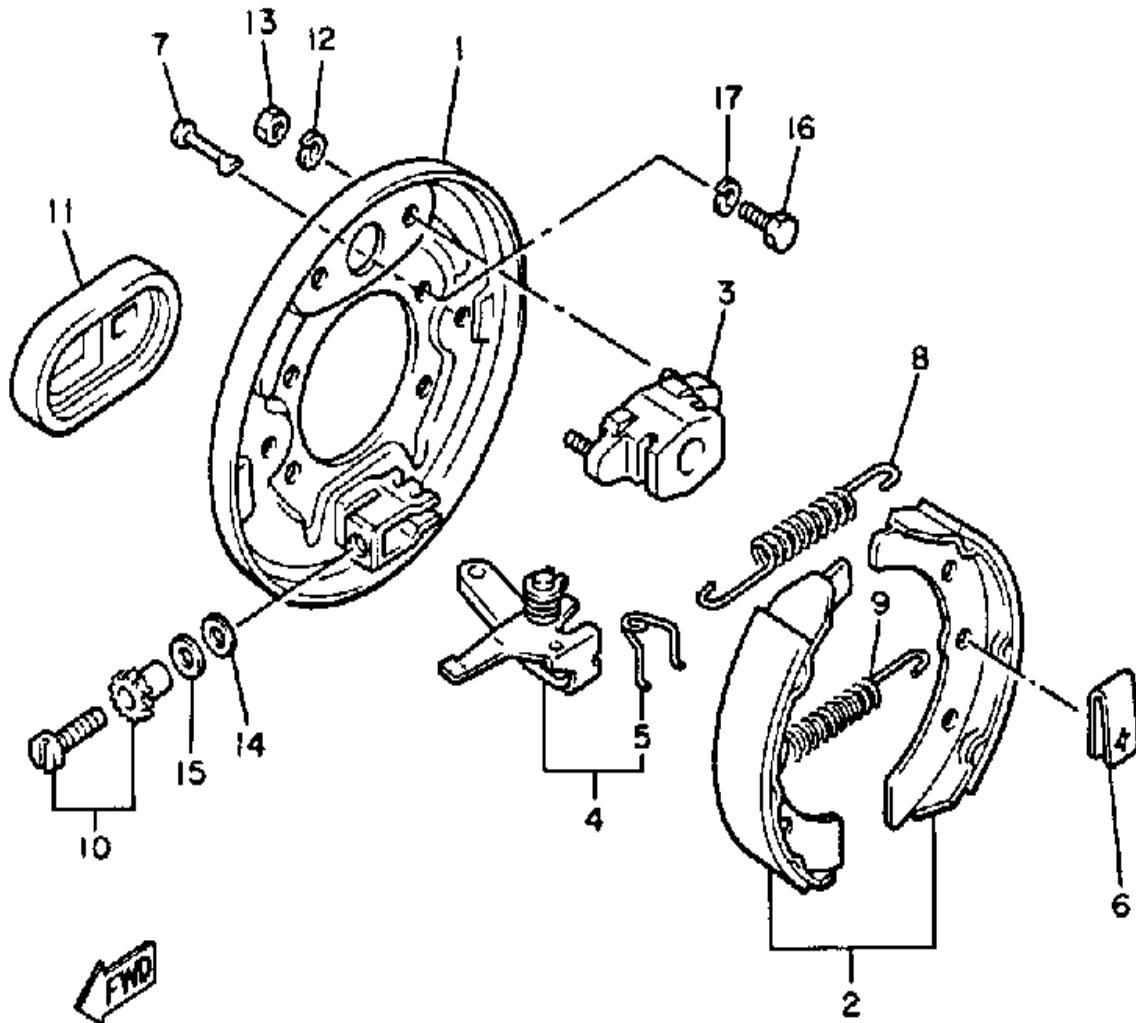
| Ref. No. | Part Number     | Description               | Qty | Remarks |
|----------|-----------------|---------------------------|-----|---------|
| 30       | 90201-123F2-00  | WASHER, PLAIN             | 1   |         |
| 31       | 90508-26557-00  | SPRING, TORSION           | 1   |         |
| 32       | 90380-12105-00  | BUSH, SOLID               | 1   |         |
| 33       | 90201-104G8-00  | WASHER, PLAIN             | 2   |         |
| 34       | J17-27245-00-00 | PAD, BRAKE PEDAL          | 1   |         |
| 35       | 90508-40543-00  | SPRING, TORSION           | 1   |         |
| 36       | 90101-10447-00  | BOLT, HEX.                | 1   |         |
| 37       | 95601-10100-00  | NUT, U (95602-10100-00)   | 1   |         |
| 38       | J55-2252M-00-00 | BRACKET,                  | 1   |         |
| 39       | J17-27246-00-00 | NAIL, BRAKE               | 1   |         |
| 40       | €97-50208-42-00 | UNAVAILABLE IN PRICE BOOK | 2   |         |
| 41       | J17-25673-00-00 | DAMPER, BRAKE             | 1   |         |
| 42       | 90387-107F8-00  | COLLAR                    | 1   |         |
| 43       | J10-25681-00-00 | EQUALIZER, BRAKE          | 1   |         |
| 44       | J50-25685-00-00 | ROD                       | 1   |         |
| 45       | 91701-10022-00  | PIN                       | 1   |         |
| 46       | 91490-30020-00  | PIN, COTTER               | 1   |         |
| 47       | 90249-14129-00  | PIN                       | 1   |         |
| 48       | 90179-08261-00  | NUT                       | 1   |         |
| 49       | 95303-08700-00  | NUT                       | 1   |         |
| 50       | J50-F6341-00-00 | CABLE, BRAKE              | 1   |         |
| 51       | J50-F6351-00-00 | CABLE, BRAKE              | 1   |         |
| 52       | 99001-09600-00  | CIRCLIP                   | 4   |         |
| 53       | 91701-08018-00  | PIN                       | 4   |         |
| 54       | 91490-25020-00  | PIN, COTTER               | 4   |         |
| 55       | 90461-12117-00  | CLAMP                     | 4   |         |
| 56       | 95811-06012-00  | BOLT, FLANGE              | 4   |         |

# BRAKE



| Ref. No. | Part Number     | Description                        | Qty | Remarks |
|----------|-----------------|------------------------------------|-----|---------|
| 1        | J17-27208-00-00 | BACKING PLATE SUB ASSEMBLY 1 (R.H) | 1   |         |
| 2        | J55-W2536-00-00 | BRAKE SHOE SET                     | 1   |         |
| 3        | J17-27206-00-00 | ANCHOR BODY COMP.                  | 1   |         |
| 4        | J38-27204-00-00 | LEVER ASSEMBLY 1                   | 1   |         |
| 5        | J55-25358-00-00 | . SPRING LEVER                     | 1   |         |
| 6        | J10-27281-00-00 | SPRING, SHOE CLAMP                 | 2   |         |
| 7        | J10-27282-00-00 | PIN, SHOE HOLD DOWN                | 2   |         |
| 8        | 90506-20281-00  | SPRING, TENSION                    | 1   |         |
| 9        | 90506-26191-00  | SPRING, TENSION                    | 1   |         |
| 10       | J55-27270-00-00 | ADJUSTER ASSEMBLY                  | 1   |         |
| 11       | J10-27286-00-00 | COVER, DUST                        | 1   |         |
| 12       | 92995-06100-00  | WASHER, SPRING                     | 2   |         |
| 13       | 95380-06600-00  | NUT                                | 2   |         |
| 14       | 90201-121H8-00  | WASHER, PLATE                      | 1   |         |
| 15       | 90201-121H9-00  | WASHER, PLATE                      | 1   |         |
| 16       | 97011-08016-00  | BOLT                               | 4   |         |
| 17       | 92902-08100-00  | WASHER, SPRING                     | 4   |         |

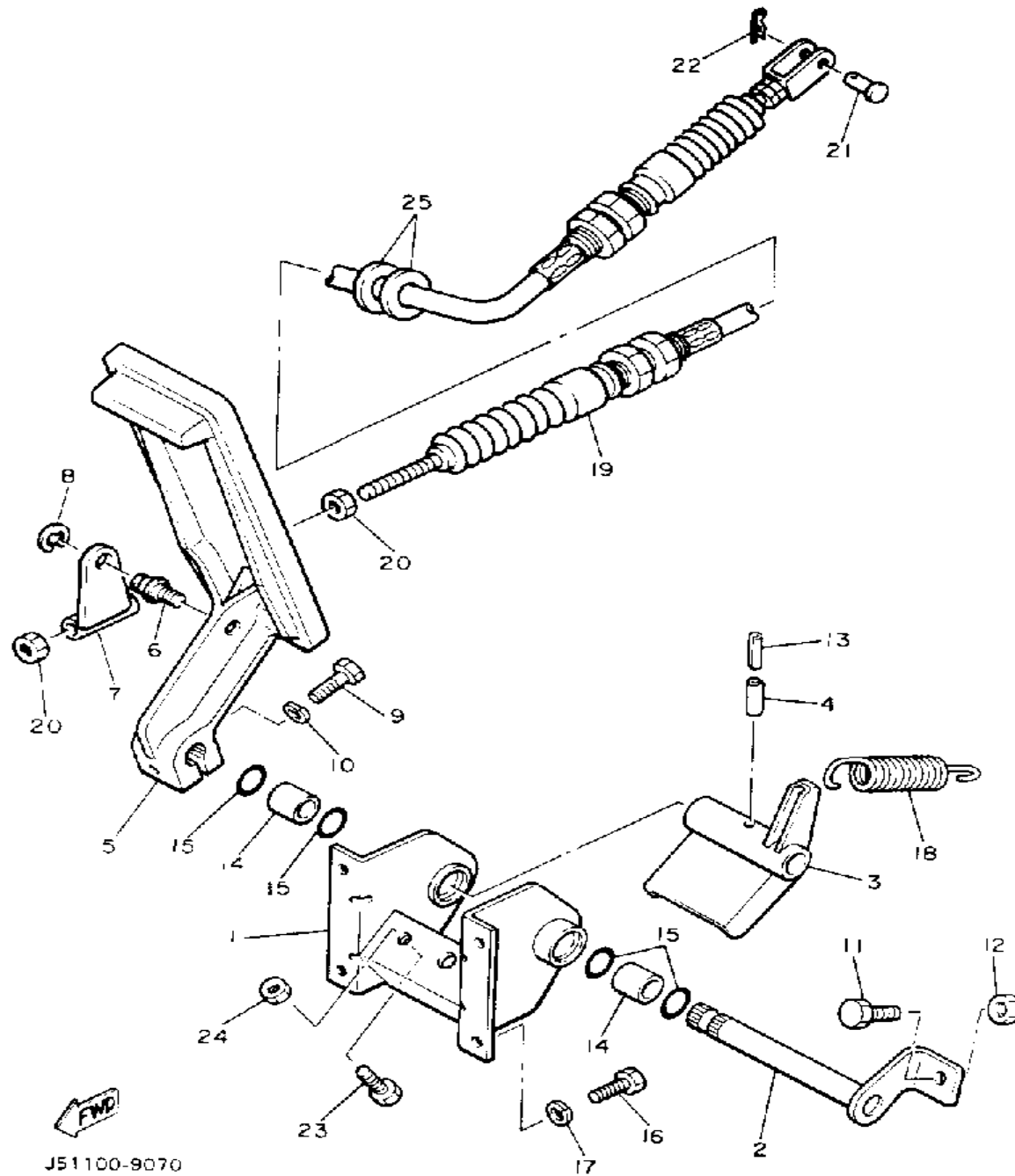
# BRAKE 3



JG5100-1160

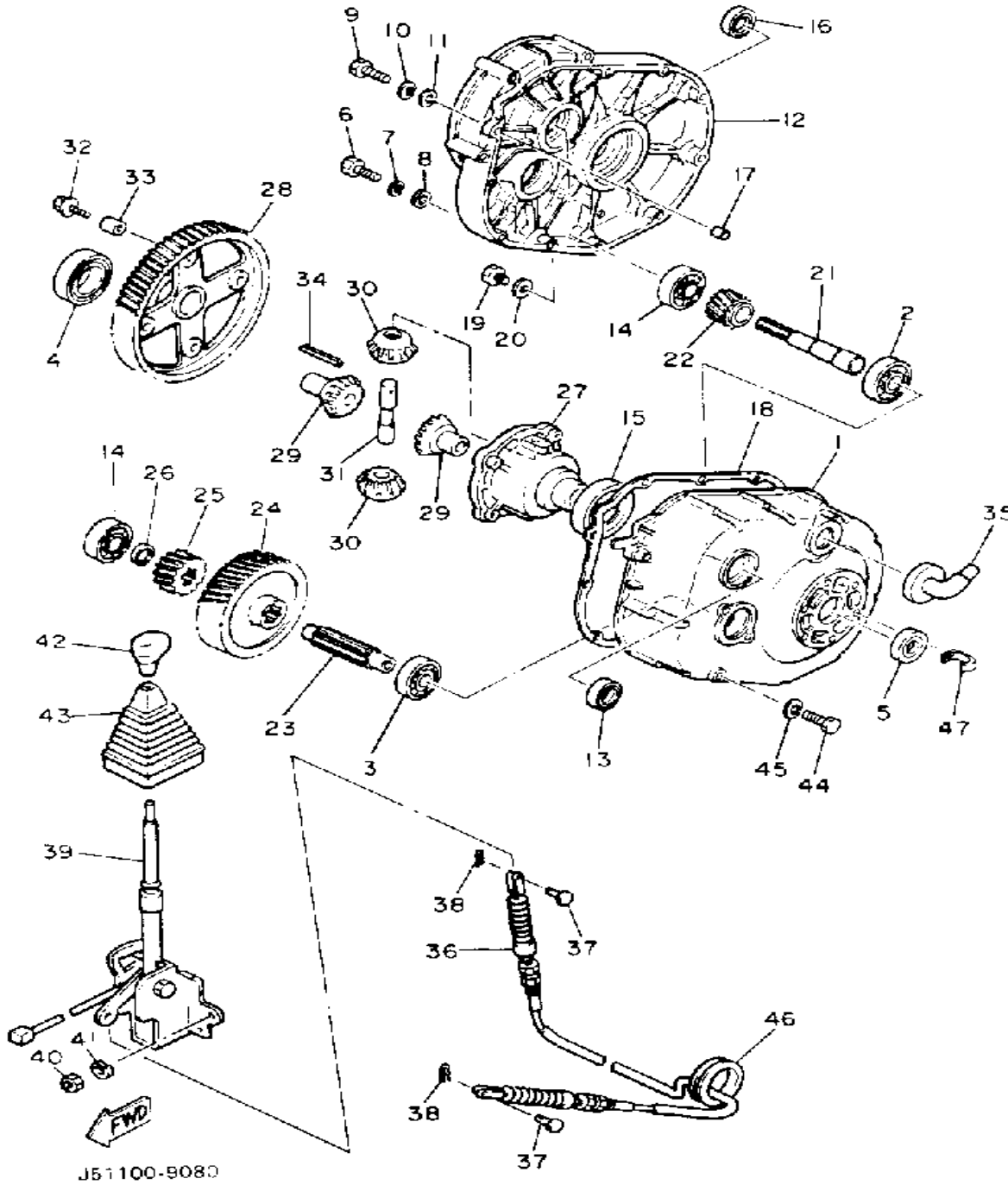
| Ref. No. | Part Number     | Description                        | Qty | Remarks |
|----------|-----------------|------------------------------------|-----|---------|
| 1        | J17-27209-00-00 | BACKING PLATE SUB ASSEMBLY 2 (L.H) | 1   |         |
| 2        | J55-W2536-00-00 | BRAKE SHOE SET                     | 1   |         |
| 3        | J17-27206-00-00 | ANCHOR BODY COMP.                  | 1   |         |
| 4        | J38-27205-00-00 | LEVER ASSEMBLY 2                   | 1   |         |
| 5        | J55-25357-00-00 | . SPRING, LEVER                    | 1   |         |
| 6        | J10-27281-00-00 | SPRING, SHOE CLAMP                 | 2   |         |
| 7        | J10-27282-00-00 | PIN, SHOE HOLD DOWN                | 2   |         |
| 8        | 90506-20281-00  | SPRING, TENSION                    | 1   |         |
| 9        | 90506-26191-00  | SPRING, TENSION                    | 1   |         |
| 10       | J55-27260-00-00 | ADJUSTER ASSEMBLY                  | 1   |         |
| 11       | J10-27286-00-00 | COVER, DUST                        | 1   |         |
| 12       | 92995-06100-00  | WASHER, SPRING                     | 2   |         |
| 13       | 95380-06600-00  | NUT                                | 2   |         |
| 14       | 90201-121H8-00  | WASHER, PLATE                      | 1   |         |
| 15       | 90201-121H9-00  | WASHER, PLATE                      | 1   |         |
| 16       | 97011-08016-00  | BOLT                               | 4   |         |
| 17       | 92902-08100-00  | WASHER, SPRING                     | 4   |         |

# ACCELERATOR



| Ref. No. | Part Number     | Description                      | Qty | Remarks |
|----------|-----------------|----------------------------------|-----|---------|
| 1        | J41-27874-00-00 | BRACKET, ACCELERATOR PEDAL ..... | 1   |         |
| 2        | J17-27853-00-00 | SHAFT, PEDAL 1 .....             | 1   |         |
| 3        | J22-27872-00-00 | ARM, ACCELERATOR .....           | 1   |         |
| 4        | 91609-60028-00  | PIN, SPRING .....                | 1   |         |
| 5        | JF3-27871-00-00 | PEDAL, ACCELERATOR .....         | 1   |         |
| 6        | J51-27813-00-00 | PIN, PEDAL CRK .....             | 1   |         |
| 7        | J51-27815-00-00 | LEVER, CRANK PEDAL .....         | 1   |         |
| 8        | 99080-09600-00  | CIRCLIP (E) (990010960000) ..    | 1   |         |
| 9        | 97011-06025-00  | BOLT (97001-06025) .....         | 1   |         |
| 10       | 92995-06100-00  | WASHER, SPRING .....             | 1   |         |
| 11       | 90106-08040-00  | BOLT, RD. HEX .....              | 1   |         |
| 12       | 95303-08700-00  | NUT .....                        | 1   |         |
| 13       | 91609-35028-00  | PIN, SPRING .....                | 1   |         |
| 14       | 90384-14080-00  | BUSH, BIMETAL .....              | 2   |         |
| 15       | 93210-14104-00  | O-RING .....                     | 4   |         |
| 16       | 97011-06016-00  | BOLT .....                       | 4   |         |
| 17       | 92995-06100-00  | WASHER, SPRING .....             | 4   |         |
| 18       | 90506-29283-00  | SPRING, TENSION .....            | 1   |         |
| 19       | J51-27875-00-00 | WIRE, CONTROLLER .....           | 1   |         |
| 20       | 95303-08700-00  | NUT .....                        | 2   |         |
| 21       | 91702-06016-00  | PIN, CLEVIS .....                | 1   |         |
| 22       | 90468-10050-00  | CLIP .....                       | 1   |         |
| 23       | 97011-06025-00  | BOLT (97001-06025) .....         | 1   |         |
| 24       | 95380-06700-00  | NUT .....                        | 1   |         |
| 25       | 90480-44513-00  | GROMMET .....                    | 2   |         |

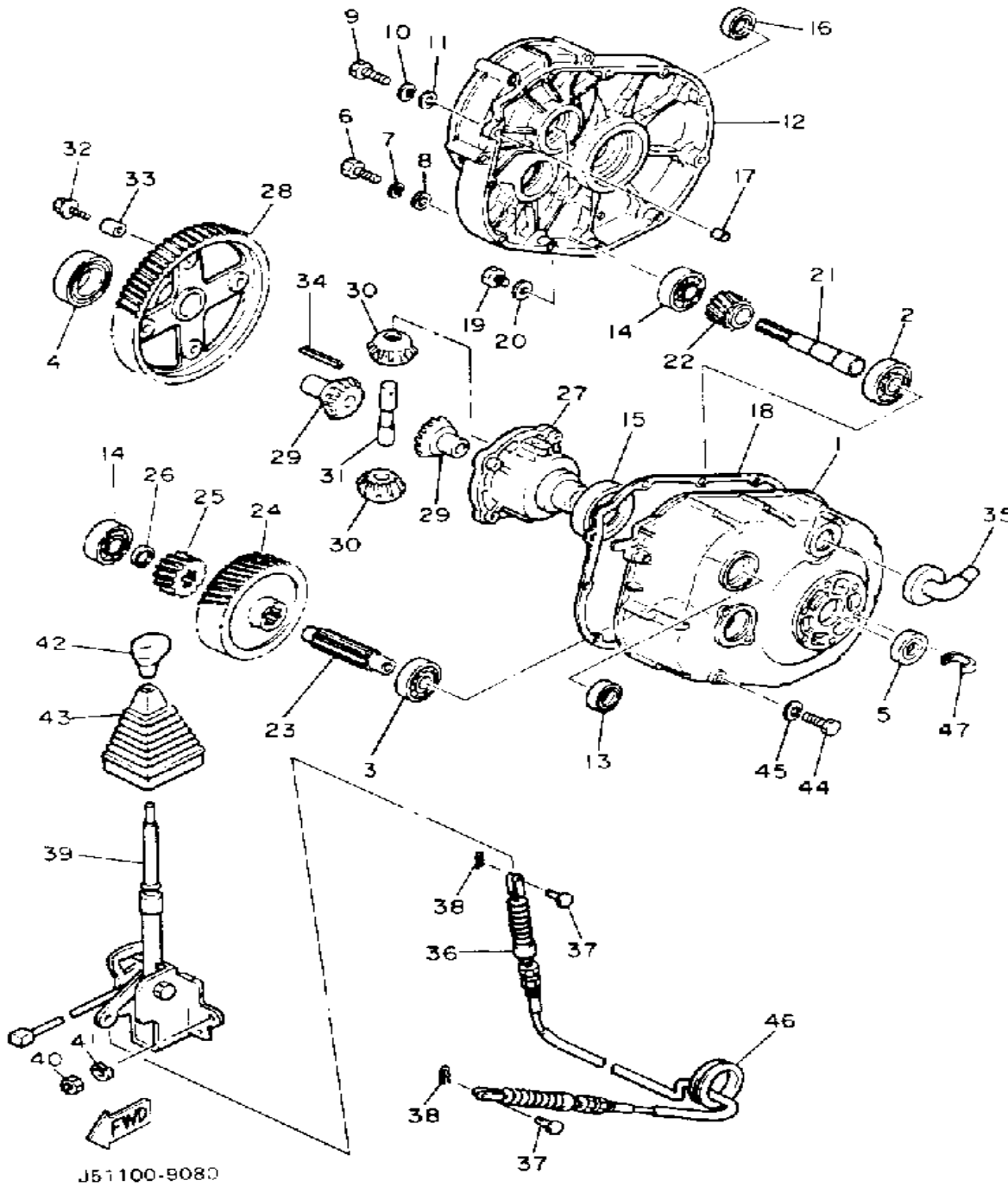
# TRANSMISSION



| Ref. No. | Part Number     | Description             | Qty | Remarks |
|----------|-----------------|-------------------------|-----|---------|
| 1        | J14-46311-00-00 | CASE, TRANSMISSION 1    | 1   |         |
| 2        | 93306-20541-00  | BEARING (B6205)         | 1   |         |
| 3        | 93306-20421-00  | BEARING                 | 1   |         |
| 4        | 93306-00803-00  | BEARING (B6008)         | 1   |         |
| 5        | 93102-22189-00  | OIL SEAL                | 1   |         |
| 6        | 97021-08035-00  | BOLT                    | 9   |         |
| 7        | 92990-08100-00  | WASHER                  | 9   |         |
| 8        | 92901-08600-00  | WASHER                  | 9   |         |
| 9        | 97021-08045-00  | BOLT                    | 2   |         |
| 10       | 92990-08100-00  | WASHER                  | 2   |         |
| 11       | 92901-08600-00  | WASHER                  | 2   |         |
| 12       | J14-46312-02-00 | CASE, TRANSMISSION 2    | 1   |         |
| 13       | 93102-20143-00  | OIL SEAL                | 1   |         |
| 14       | 93306-20421-00  | BEARING                 | 2   |         |
| 15       | 93306-00803-00  | BEARING (B6008)         | 1   |         |
| 16       | 93102-22189-00  | OIL SEAL                | 1   |         |
| 17       | 99510-12016-00  | PIN, DOWEL              | 2   |         |
| 18       | J10-46319-01-00 | GASKET                  | 1   |         |
| 19       | 90340-14036-00  | PLUG, STRAIGHT SCRW     | 2   |         |
| 20       | 90430-14043-00  | GASKET                  | 2   |         |
| 21       | J14-46321-01-00 | SHAFT, INPUT            | 1   |         |
| 22       | J56-46331-00-00 | GEAR, INPUT 1           | 1   |         |
| 23       | J10-46351-00-00 | SHAFT, COUNTER          | 1   |         |
| 24       | J56-46361-00-00 | GEAR, COUNTER 1         | 1   |         |
| 25       | J17-46362-00-00 | GEAR, COUNTER 2         | 1   |         |
| 26       | 90201-20272-00  | WASHER, PLATE           | 1   |         |
| 27       | J38-46411-01-00 | CASE, DIFFERENTIAL      | 1   |         |
| 28       | J41-46421-00-00 | GEAR, RING              | 1   |         |
| 29       | J38-46414-00-00 | GEAR, DIFFERENTIAL SIDE | 2   |         |

CONTINUED ON NEXT FRAME ►

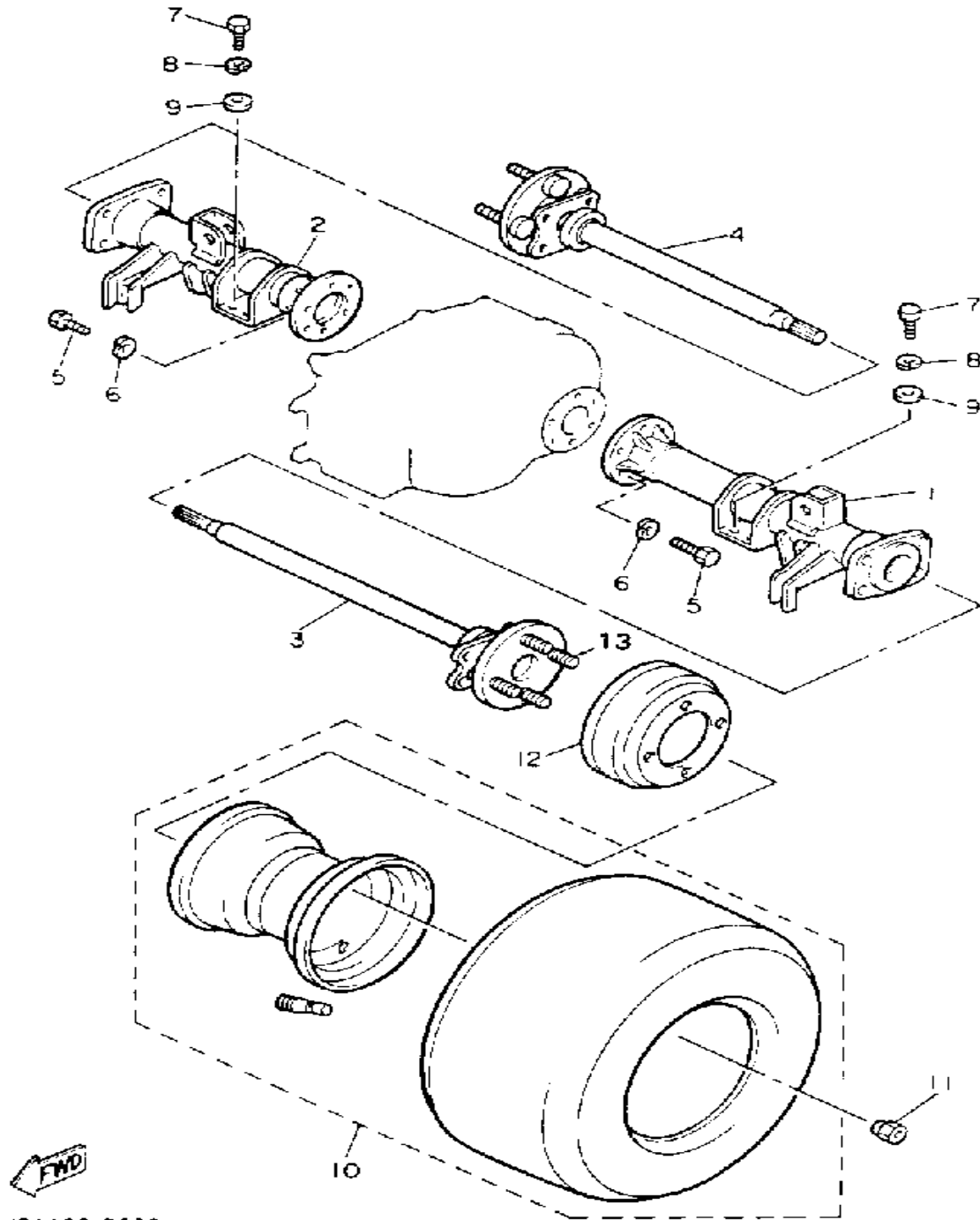
# TRANSMISSION



| Ref. No. | Part Number     | Description                | Qty | Remarks |
|----------|-----------------|----------------------------|-----|---------|
| 30       | J38-46415-00-00 | PINION, DIFFERENTIAL ..... | 2   |         |
| 31       | J38-46417-02-00 | PIN, DIFFERENTIAL .....    | 1   |         |
| 32       | 90105-08390-00  | BOLT, WASHER BASED .....   | 4   |         |
| 33       | 91812-16001-00  | PIN, DOWEL .....           | 2   |         |
| 34       | 91609-40040-00  | PIN, SPRING .....          | 1   |         |
| 35       | 835-47559-00-00 | CAP 2 .....                | 1   |         |
| 36       | J51-46371-00-00 | WIRE, SHIFT .....          | 1   |         |
| 37       | 91702-06016-00  | PIN, CLEVIS .....          | 2   |         |
| 38       | 90468-10050-00  | CLIP .....                 | 2   |         |
| 39       | J51-46382-00-00 | LEVER, SHIFT 1 .....       | 1   |         |
| 40       | 95333-08600-00  | NUT .....                  | 3   |         |
| 41       | 92990-08100-00  | WASHER .....               | 3   |         |
| 42       | 7Y6-52625-00-00 | KNOB .....                 | 1   |         |
| 43       | J50-46394-00-00 | JOINT .....                | 1   |         |
| 44       | 97011-10020-00  | BOLT .....                 | 2   |         |
| 45       | 92901-10100-00  | WASHER, SPRING .....       | 2   |         |
| 46       | 90480-44513-00  | GROMMET .....              | 2   |         |
| 47       | 90465-06100-00  | CLAMP .....                | 1   |         |

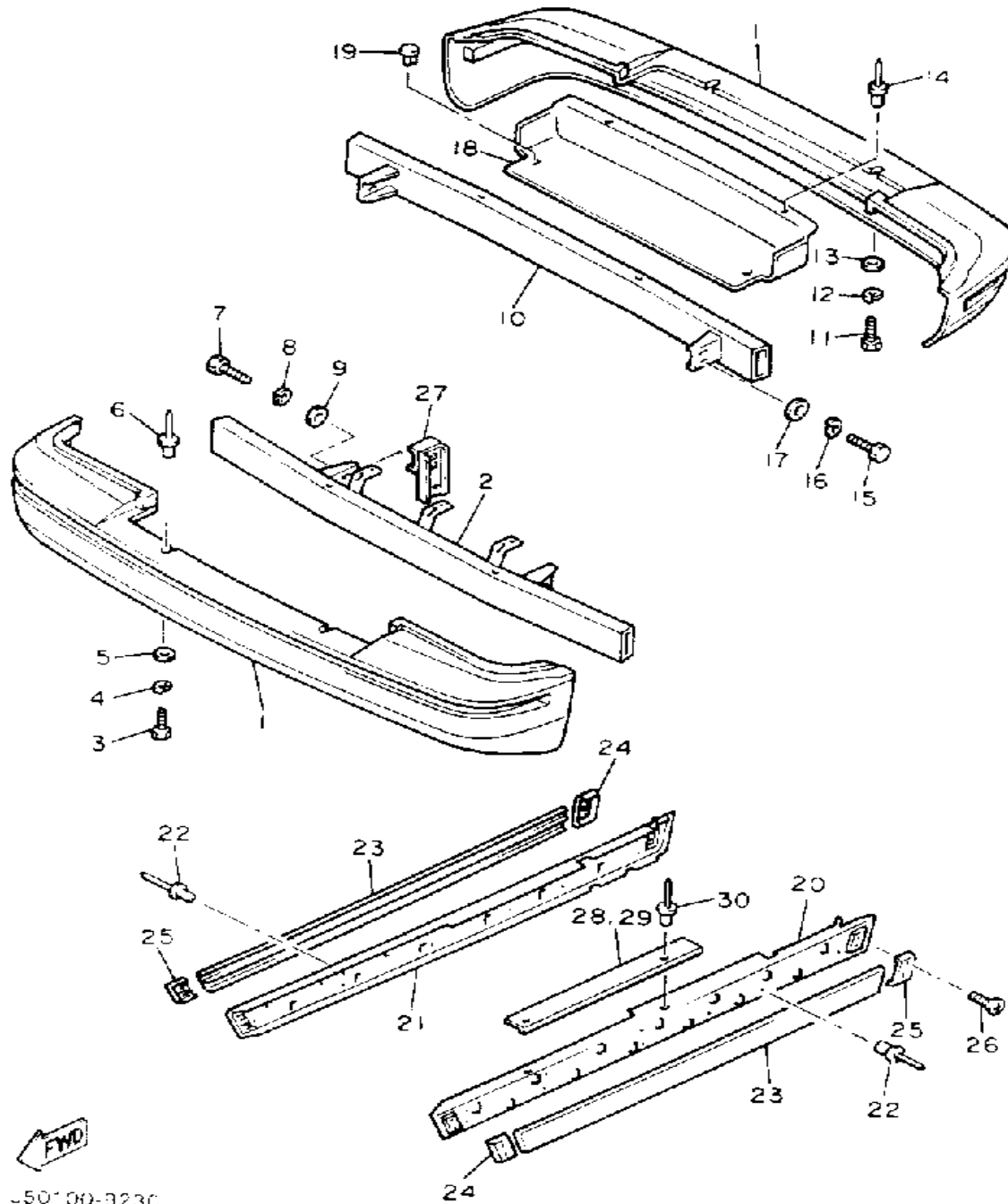
# REAR AXLE - WHEEL

| Ref. No. | Part Number     | Description                | Qty | Remarks  |
|----------|-----------------|----------------------------|-----|----------|
| 1        | J51-46540-00-00 | R.AXLE HOUSING 1 .....     | 1   |          |
| 2        | J51-46550-00-00 | R.AXLE HOUSING 2COMP. 2 .. | 1   |          |
| 3        | J51-46510-00-00 | REAR AXLE SHAFT 1 .....    | 1   |          |
| 4        | J51-46520-00-00 | REAR AXLE SHAFT 2 .....    | 1   |          |
| 5        | 97312-08025-00  | BOLT (97012-08025) .....   | 12  |          |
| 6        | 92990-08100-00  | WASHER .....               | 12  |          |
| 7        | 97011-10020-00  | BOLT .....                 | 8   |          |
| 8        | 92901-10100-00  | WASHER, SPRING .....       | 8   |          |
| 9        | 92990-10600-00  | WASHER, PLATE .....        | 8   |          |
| 10       | *---            | FRONT WHEEL ASSEMBLY ..    | 2   | SEE NOTE |
| 11       | 90179-12262-00  | NUT .....                  | 8   |          |
| 12       | J55-G6521-00-00 | DRUM .....                 | 2   |          |
| 13       | 90114-12004-00  | BOLT, RIBBED NECK .....    | 8   |          |



J51100-9090

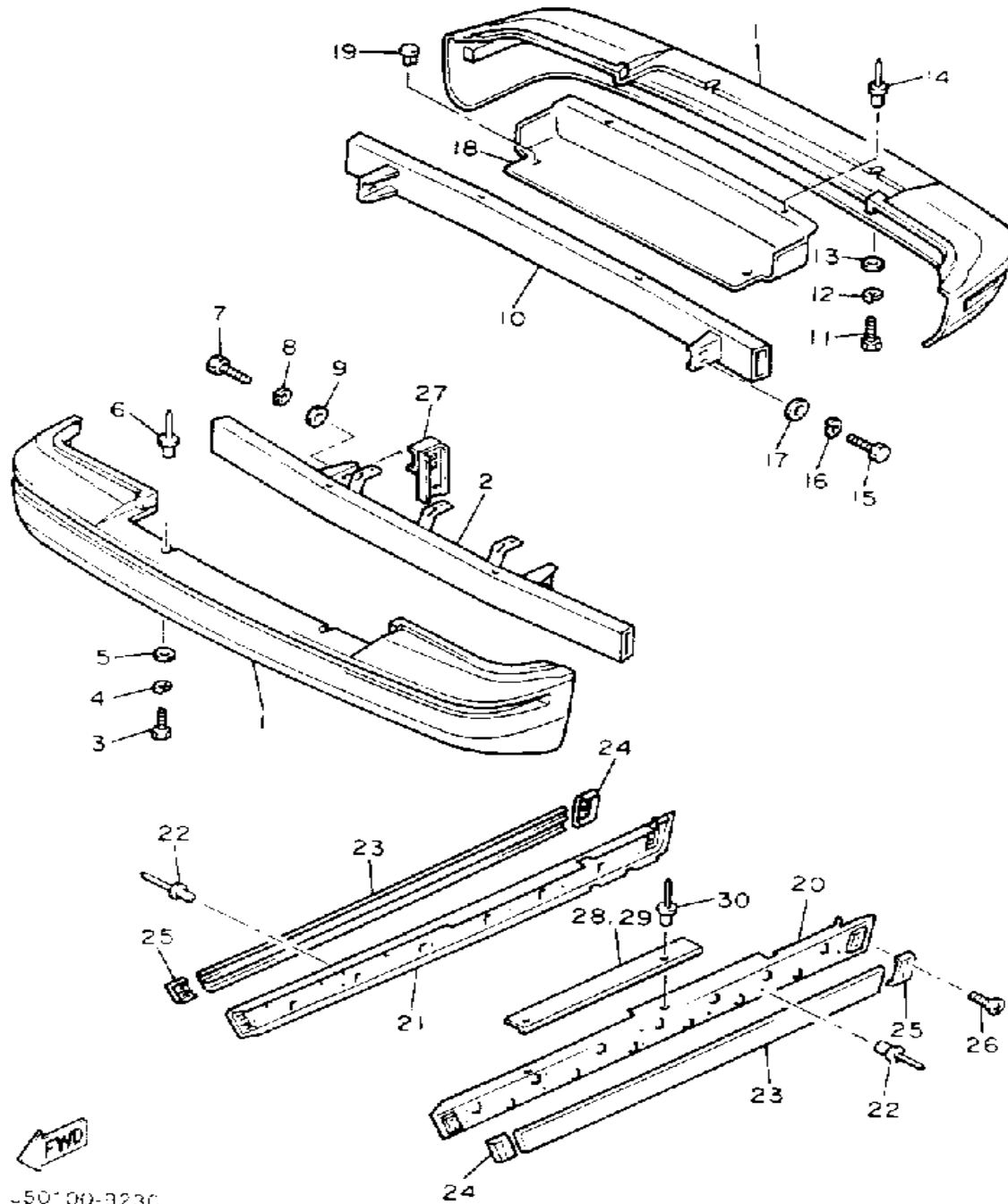
# BUMPER



| Ref. No. | Part Number     | Description                           | Qty | Remarks      |
|----------|-----------------|---------------------------------------|-----|--------------|
| 1        | J50-K8163-01-00 | COVER, FRONT BUMPER<br>(J50-K8163-00) | 2   |              |
| 2        | J50-K7511-01-00 | BUMPER, FRONT 1<br>(J50-K7511-00)     | 1   |              |
| 3        | 97395-06020-00  | BOLT, HEXAGON                         | 2   |              |
| 4        | 92995-06100-00  | WASHER, SPRING                        | 2   |              |
| 5        | 90201-06697-00  | WASHER, PLATE                         | 2   |              |
| 6        | 90267-47150-00  | RIVET, BLIND                          | 2   |              |
| 7        | 97313-08020-00  | BOLT, HEXAGON                         | 8   |              |
| 8        | 92990-08100-00  | WASHER                                | 8   |              |
| 9        | 92990-08600-00  | WASHER, PLATE                         | 8   |              |
| 10       | J50-K7541-01-00 | BUMPER, REAR 1<br>(J50-K7541-00)      | 1   |              |
| 11       | 97395-06020-00  | BOLT, HEXAGON                         | 2   |              |
| 12       | 92995-06100-00  | WASHER, SPRING                        | 2   |              |
| 13       | 90201-06697-00  | WASHER, PLATE                         | 2   |              |
| 14       | 90267-47150-00  | RIVET, BLIND                          | 2   |              |
| 15       | 97313-08020-00  | BOLT, HEXAGON                         | 4   |              |
| 16       | 92990-08100-00  | WASHER                                | 4   |              |
| 17       | 92990-08600-00  | WASHER, PLATE                         | 4   |              |
| 18       | J50-K7551-00-00 | PROTECTOR 1                           | 1   |              |
| 19       | 90267-63047-00  | RIVET, BLIND                          | 3   |              |
| 20       | J50-WK811-00-00 | PLATE, SD.SL.KIT-LH                   | 1   |              |
| 21       | J50-WK812-00-00 | PLATE, SD.SL.KIT-RH                   | 1   |              |
| 22       | 90267-48139-00  | RIVET, BLIND                          | 16  |              |
| 23       | J55-K818A-00-00 | PROTECTOR, SIDE PLT                   | 2   | J38-7818A-00 |
| 24       | J38-7818E-00-00 | CAP, PROTECT.END 1                    | 2   |              |
| 25       | J38-7818F-00-00 | CAP, PROTECT.END 2                    | 2   |              |
| 26       | 98606-06014-00  | SCREW, OVAL HEAD<br>(92606-06014)     | 8   |              |

CONTINUED ON NEXT FRAME ►

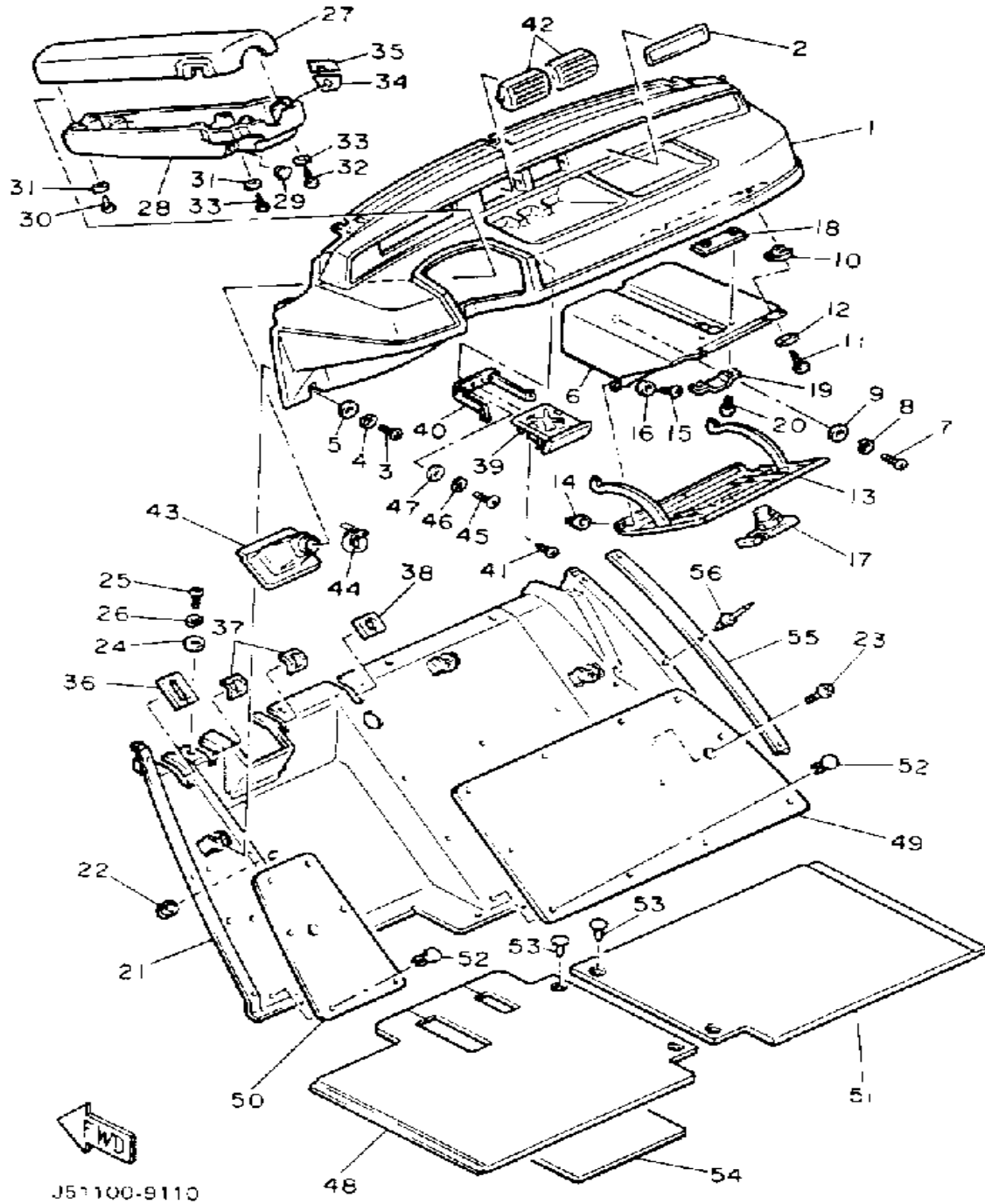
# BUMPER



50100-9230

| Ref. No. | Part Number     | Description         | Qty | Remarks |
|----------|-----------------|---------------------|-----|---------|
| 27       | J50-F251G-00-00 | SUPPORT, FRT.BUMPER | 2   |         |
| 28       | J50-78215-00-00 | PLATE, SIDE TRIM    | 1   |         |
| 29       | J50-7821F-00-00 | PLATE, SIDE TRIM    | 1   |         |
| 30       | 90267-40054-00  | RIVET, BLIND        | 4   |         |

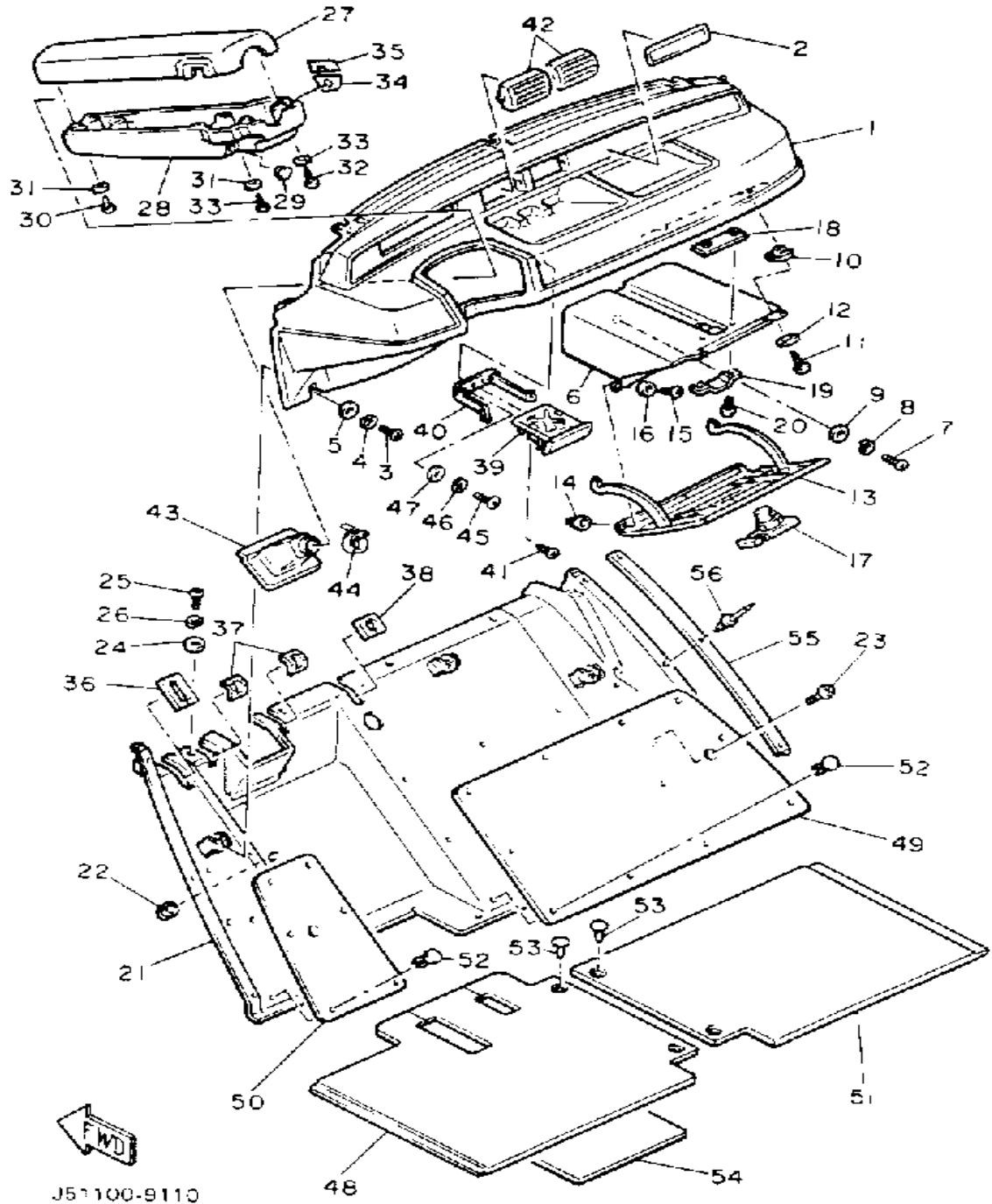
# INSTRUMENT PANEL



| Ref. No. | Part Number     | Description                                    | Qty | Remarks |
|----------|-----------------|--|-----|---------|
| 1        | J50-77711-00-00 | PANEL, INSTRUMENT .....                        | 1   |         |
| 2        | J50-77768-00-00 | LABEL, WARNING 2 .....                         | 1   |         |
| 3        | 98506-06016-00  | SCREW, PANHEAD .....                           | 6   |         |
| 4        | 92906-06100-00  | WASHER, SPRING .....                           | 6   |         |
| 5        | 90201-06059-00  | WASHER, PLATE .....                            | 6   |         |
| 6        | J50-K7735-00-00 | BOX, GLOVE .....                               | 1   |         |
| 7        | 98506-06016-00  | SCREW, PANHEAD .....                           | 1   |         |
| 8        | 92906-06100-00  | WASHER, SPRING .....                           | 1   |         |
| 9        | 90201-06059-00  | WASHER, PLATE .....                            | 1   |         |
| 10       | 90183-05050-00  | NUT, SPRING .....                              | 3   |         |
| 11       | 97706-50520-00  | SCREW, TAPPING .....                           | 3   |         |
| 12       | 90201-05721-00  | WASHER, PLATE .....                            | 3   |         |
| 13       | J50-K7736-00-00 | LID, GLOVE BOX .....                           | 1   |         |
| 14       | 90269-08058-00  | RIVET, SPEC'L SHAPE .....                      | 3   |         |
| 15       | 97706-50520-00  | SCREW, TAPPING .....                           | 3   |         |
| 16       | 90201-05721-00  | WASHER, PLATE .....                            | 3   |         |
| 17       | 35R-21708-01-00 | SIDE CVR LOCK ASSEMBLY<br>(J50-7773E-00) ..... | 1   |         |
| 18       | J50-77721-00-00 | BRACKET 1 .....                                | 1   |         |
| 19       | J50-77728-00-00 | WASHER .....                                   | 1   |         |
| 20       | 98906-05016-00  | SCREW, BIND .....                              | 2   |         |
| 21       | J50-K7780-00-00 | DASH PANEL ASSEMBLY .....                      | 1   |         |
| 22       | 90480-13511-00  | GROMMET .....                                  | 1   |         |
| 23       | 98906-06016-00  | SCREW, BIND .....                              | 2   |         |
| 24       | 90201-06697-00  | WASHER, PLATE .....                            | 4   |         |
| 25       | 98503-06014-00  | SCREW, PAN HEAD<br>(92502-06016) .....         | 4   |         |
| 26       | 92995-06100-00  | WASHER, SPRING .....                           | 4   |         |
| 27       | J50-K7732-00-00 | COVER, STEER SHFT 1 .....                      | 1   |         |

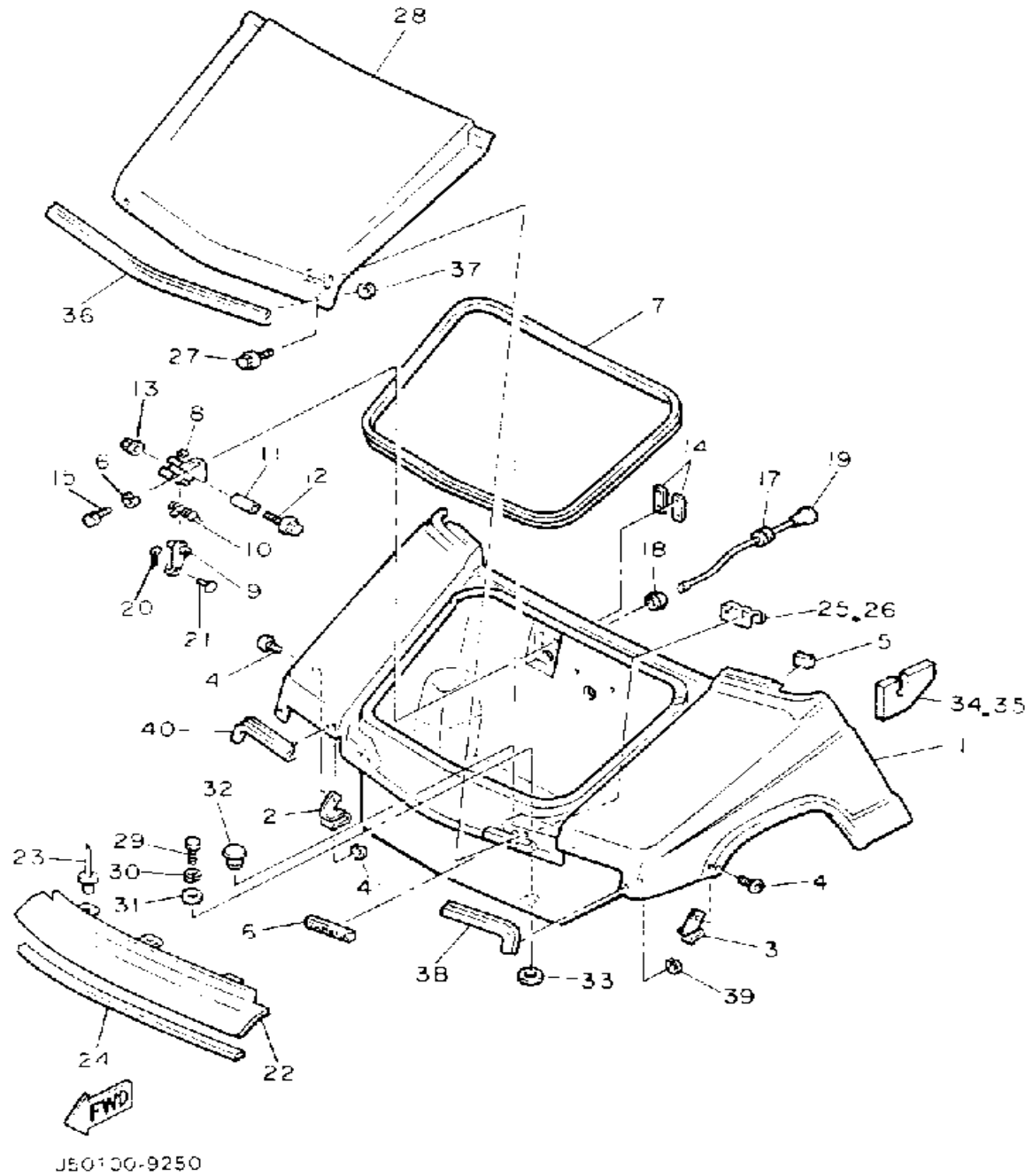
CONTINUED ON NEXT FRAME ►

# INSTRUMENT PANEL



| Ref. No. | Part Number     | Description         | Qty | Remarks      |
|----------|-----------------|---------------------|-----|--------------|
| 28       | J50-K7733-00-00 | COVER, STEER SHFT 2 | 1   |              |
| 29       | 90338-11125-00  | PLUG                | 1   |              |
| 30       | 97780-50120-00  | SCREW, TAPPING      | 2   |              |
| 31       | 92901-05600-00  | WASHER, PLATE       | 6   |              |
| 32       | 97702-50130-00  | SCREW, TAPPING      | 2   |              |
| 33       | 97702-50540-00  | SCREW, TAPPING      | 4   |              |
| 34       | J50-77741-00-00 | INDICATOR 1         | 1   |              |
| 35       | J42-77742-00-00 | INDICATOR 2         | 1   |              |
| 36       | J50-78245-00-00 | SEAL 1              | 1   |              |
| 37       | J50-78246-00-00 | SEAL, FLOOR 2       | 2   |              |
| 38       | J50-78247-00-00 | SEAL 3              | 1   |              |
| 39       | J50-78280-00-00 | ASH TRAY ASSEMBLY   | 1   |              |
| 40       | J50-78281-00-00 | BRACKET, ASH TRAY 2 | 1   |              |
| 41       | 98506-05010-00  | SCREW, PAN HEAD     | 3   |              |
| 42       | J50-2837X-00-00 | GRILL, AIR OUTLET 3 | 2   |              |
| 43       | J50-78283-00-00 | COVER 3             | 1   |              |
| 44       | 90465-13169-00  | CALMP               | 1   |              |
| 45       | 98580-05010-00  | SCREW, PAN HEAD     | 2   |              |
| 46       | 92990-05100-00  | WASHER, SPRING      | 2   |              |
| 47       | 92901-05600-00  | WASHER, PLATE       | 2   |              |
| 48       | J50-K8231-00-00 | MAT, MAIN FLOOR 1   | 1   |              |
| 49       | J50-K8232-00-00 | MAT, MAIN FLOOR 2   | 1   |              |
| 50       | J50-K8233-00-00 | MAT, MAIN FLOOR 3   | 1   |              |
| 51       | J50-K8234-00-00 | MAT, MAIN FLOOR 4   | 1   |              |
| 52       | 90267-63047-00  | RIVET, BLIND        | 16  |              |
| 53       | 90269-07064-00  | RIVET               | 4   |              |
| 54       | J55-K8271-00-00 | SERVICE LID, PEDAL  | 1   | J38-78271-02 |
| 55       | J50-78261-00-00 | PLATE, BODY PRTC 1  | 2   |              |
| 56       | 90267-40131-00  | RIVET, BLIND        | 6   |              |

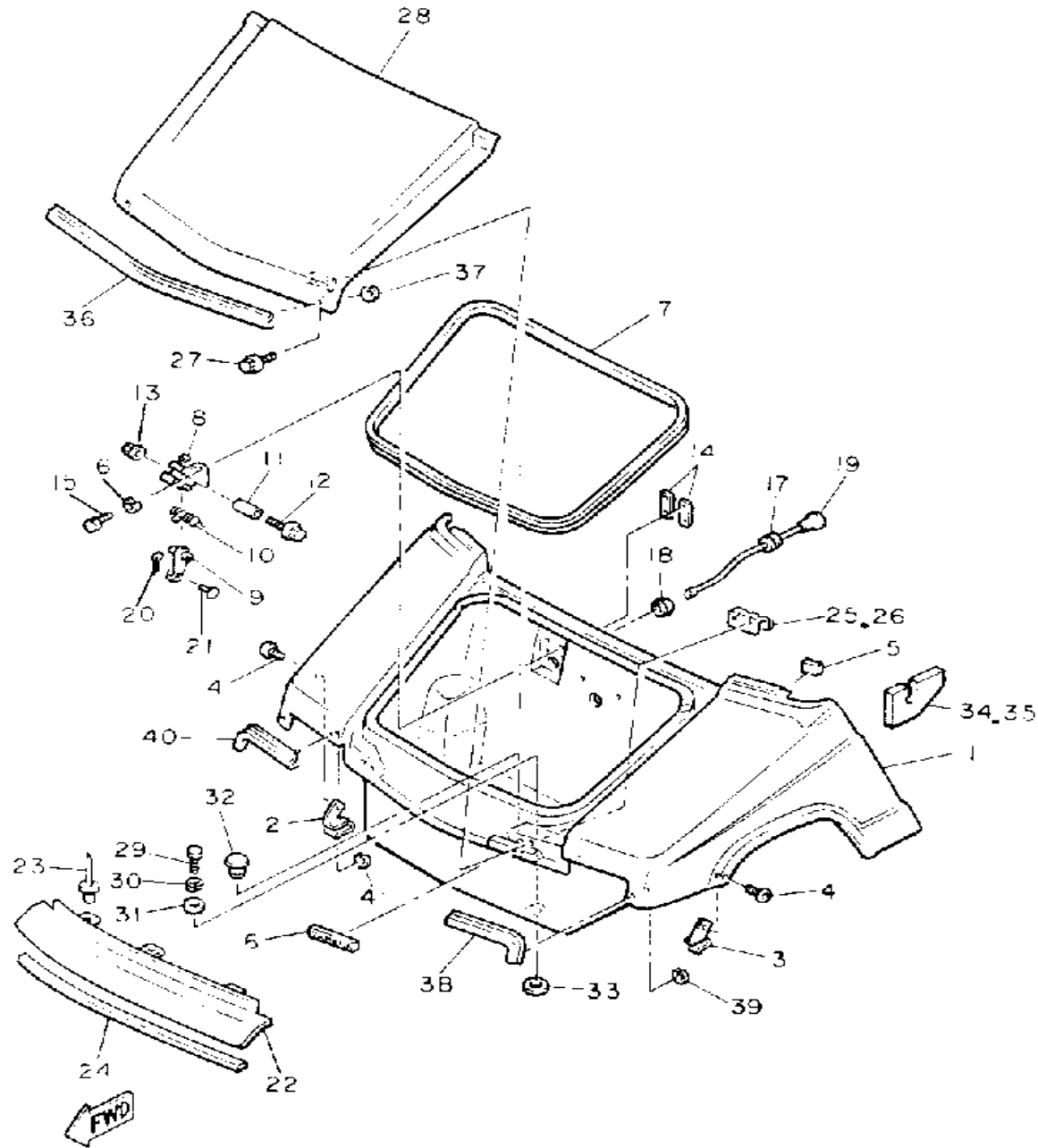
# BODY



| Ref. No. | Part Number     | Description                            | Qty | Remarks |
|----------|-----------------|--|-----|---------|
| 1        | J50-K819A-00-00 | SHELL, FRNT.STORAGE                    | 1   |         |
| 2        | J50-77532-00-00 | BRACKET, FRONT R                       | 1   |         |
| 3        | J50-77533-00-00 | BRACKET, REAR L                        | 1   |         |
| 4        | 90110-06102-00  | BOLT, HEXAGON SOCKET HEAD              | 2   |         |
| 5        | J50-78248-00-00 | SEAL 4                                 | 2   |         |
| 6        | 25G-21578-00-00 | EMBLEM                                 | 1   |         |
| 7        | J50-7815G-00-00 | SEAL, FRONT STORAGE                    | 1   |         |
| 8        | J50-7814W-00-00 | BRACKET, BODY LOCK                     | 1   |         |
| 9        | J50-7814H-00-00 | HOOK, BODY LOCK                        | 1   |         |
| 10       | 90508-15752-00  | SPRING, TORSION                        | 1   |         |
| 11       | 90387-055U1-00  | COLLAR                                 | 1   |         |
| 12       | 90105-05126-00  | BOLT, WASHER BASED                     | 1   |         |
| 13       | 95701-05500-00  | NUT, FLANGE                            | 1   |         |
| 14       | J50-78118-00-00 | PLATE 2                                | 2   |         |
| 15       | 97001-05012-00  | BOLT (97002-05012)                     | 4   |         |
| 16       | 92990-05100-00  | WASHER, SPRING                         | 4   |         |
| 17       | 90480-12067-00  | GROMMET                                | 1   |         |
| 18       | 90480-12480-00  | GROMMET                                | 1   |         |
| 19       | J50-7814G-00-00 | LEVER, BODY LOCK                       | 1   |         |
| 20       | 90240-03089-00  | PIN, CLEVIS                            | 1   |         |
| 21       | 91402-12018-00  | PIN, COTTER                            | 1   |         |
| 22       | J50-K8216-00-00 | COVER, BUMPER GAP                      | 1   |         |
| 23       | 90267-48101-00  | RIVET, BLIND                           | 3   |         |
| 24       | J50-78316-00-00 | DAMPER                                 | 2   |         |
| 25       | J50-78375-00-00 | SUPPORT 1                              | 1   |         |
| 26       | J50-78376-00-00 | SUPPORT, 2                             | 1   |         |
| 27       | 95811-06016-00  | BOLT, FLANGE (95822-06016)             | 4   |         |
| 28       | J50-K819E-00-00 | LID, FRONT STORAGECOMP. (J50-K810E-00) | 1   |         |

CONTINUED ON NEXT FRAME ►

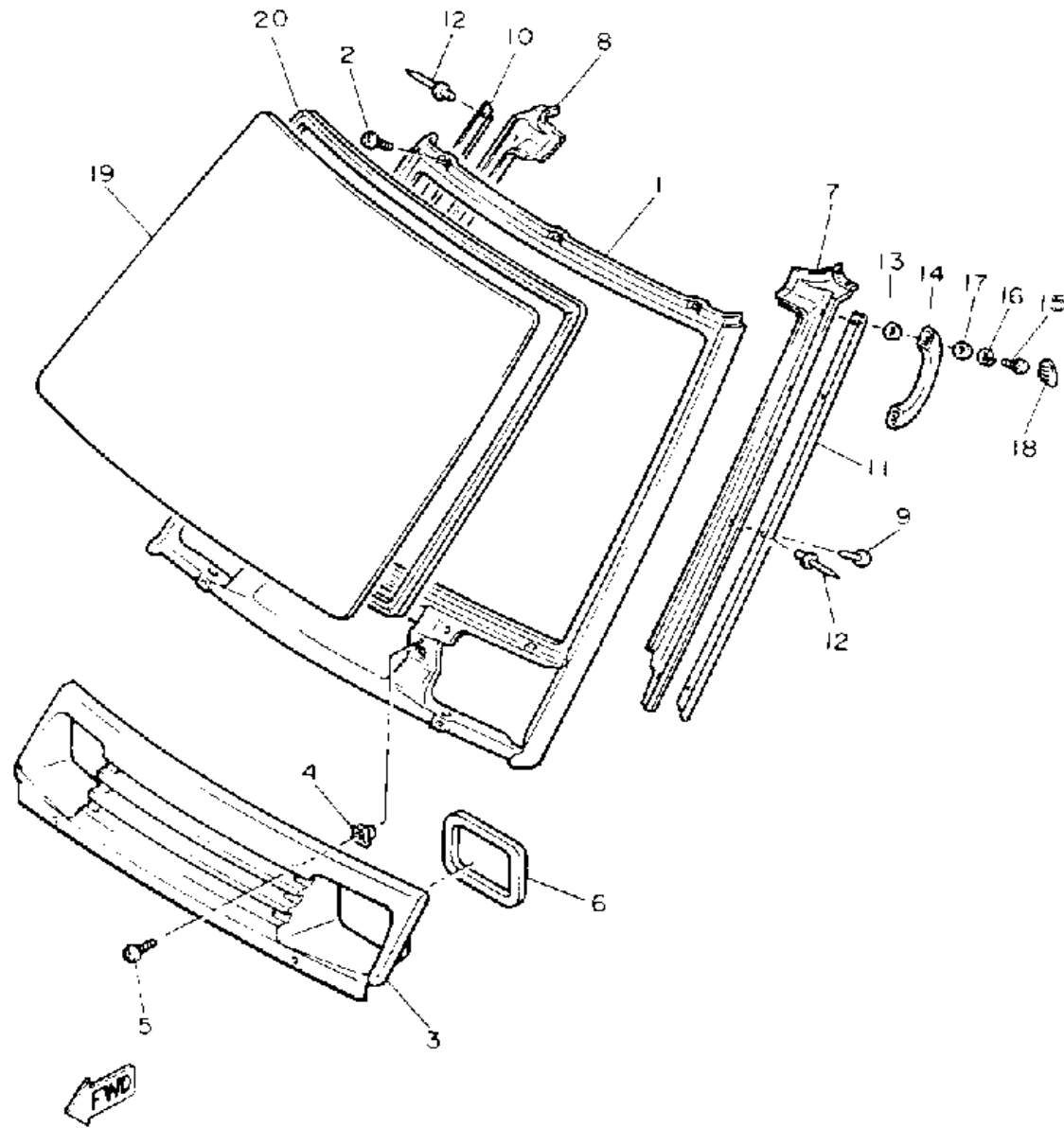
# BODY



J50100-9250

| Ref. No. | Part Number     | Description              | Qty | Remarks |
|----------|-----------------|--------------------------|-----|---------|
| 29       | 97313-08020-00  | BOLT, HEXAGON .....      | 2   |         |
| 30       | 92990-08100-00  | WASHER .....             | 2   |         |
| 31       | 90201-08748-00  | WASHER, PLATE .....      | 2   |         |
| 32       | 90338-24112-00  | PLUG, SPEC'L SHAPE ..... | 1   |         |
| 33       | 90202-09194-00  | WASHER, PLATE .....      | 2   |         |
| 34       | J50-7814E-00-00 | SEAL, BODY SIDE 1 .....  | 1   |         |
| 35       | J50-7814F-00-00 | SEAL, BODY SIDE 2 .....  | 1   |         |
| 36       | J50-7811A-00-00 | TRIM, UPPER COWL .....   | 1   |         |
| 37       | 90183-04005-00  | NUT, SPRING .....        | 2   |         |
| 38       | J50-7816J-00-00 | TRIM, FRONT BODY 1 ..... | 1   |         |
| 39       | 90183-04005-00  | NUT, SPRING .....        | 2   |         |
| 40       | J50-7816K-00-00 | TRIM, FRONT BODY 2 ..... | 1   |         |
| 41       | 90183-04005-00  | NUT, SPRING .....        | 2   |         |

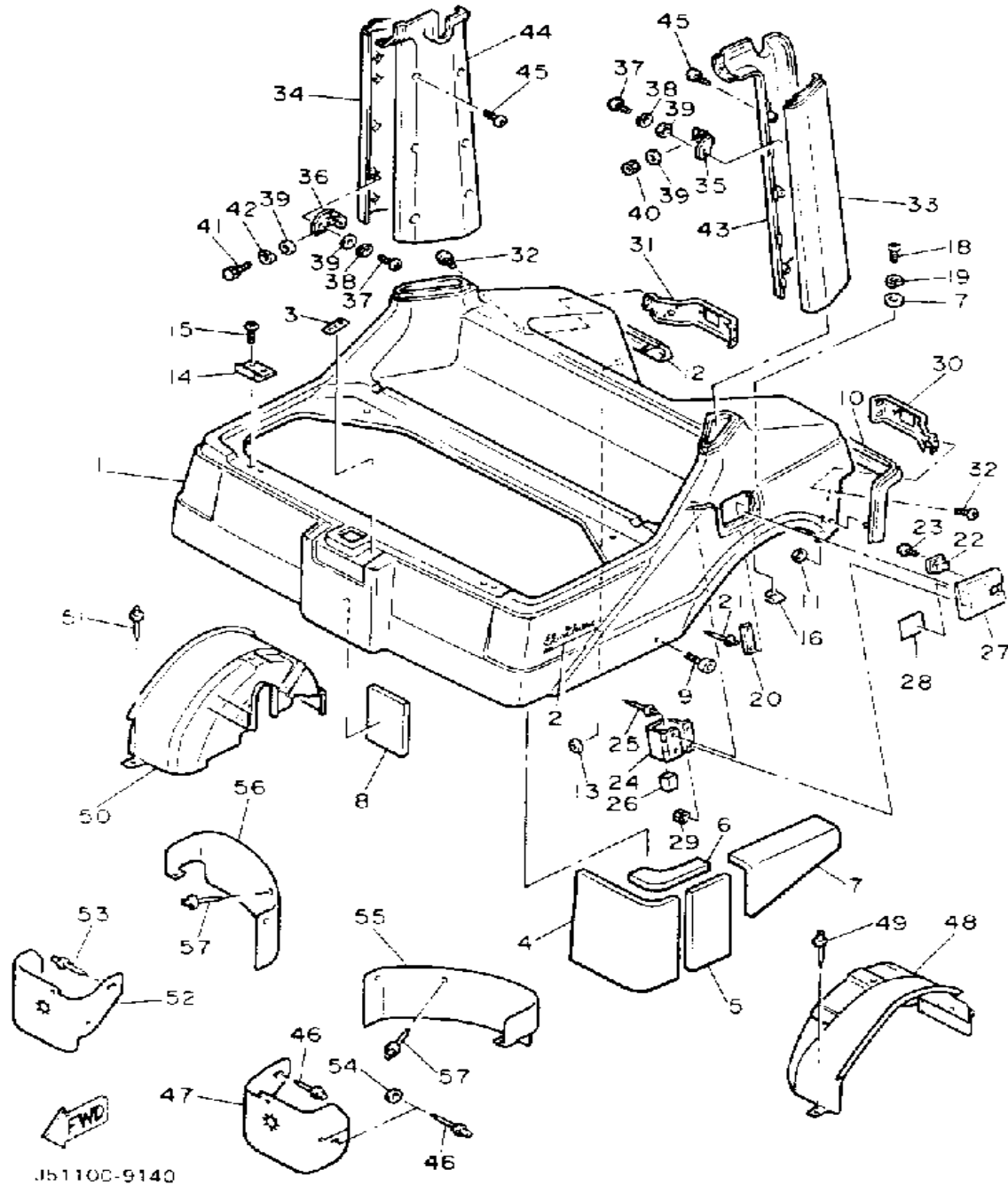
## BODY 2



J50100 9260

| Ref. No. | Part Number     | Description               | Qty | Remarks |
|----------|-----------------|---------------------------|-----|---------|
| 1        | J50-K811J-00-00 | BASE, HEAD LIGHT .....    | 1   |         |
| 2        | 98901-08016-00  | SCREW, BIND .....         | 5   |         |
| 3        | J50-K7251-00-00 | COVER, HEADLIGHT .....    | 1   |         |
| 4        | 90183-06057-00  | NUT, SPRING .....         | 4   |         |
| 5        | 98906-06014-00  | SCREW, BIND .....         | 4   |         |
| 6        | J50-7811L-00-00 | TRIM, COWL SIDE 2 .....   | 2   |         |
| 7        | J50-K817A-00-00 | COVER, FRONT PILLAR ..... | 1   |         |
| 8        | J50-K817E-00-00 | COVER, FRONT PILLAR ..... | 1   |         |
| 9        | 90269-06063-00  | RIVET, SPEC'L SHAPE ..... | 4   |         |
| 10       | J50-7817J-00-00 | TRIM, SIDE PANEL 2 .....  | 1   |         |
| 11       | J50-7817H-00-00 | TRIM, SIDE PANEL 1 .....  | 1   |         |
| 12       | 90267-48059-00  | RIVET, BLIND .....        | 8   |         |
| 13       | 90201-05725-00  | WASHER, PLATE .....       | 4   |         |
| 14       | J50-78214-01-00 | GRIP, HAND .....          | 2   |         |
| 15       | 98580-05016-00  | SCREW, PAN HEAD .....     | 4   |         |
| 16       | 92990-05100-00  | WASHER, SPRING .....      | 4   |         |
| 17       | 92901-05600-00  | WASHER, PLATE .....       | 4   |         |
| 18       | J50-78274-00-00 | COVER, HOLE 2 .....       | 4   |         |
| 19       | J50-K7211-00-00 | WINDSHIELD .....          | 1   |         |
| 20       | J50-77213-00-00 | TRIM, UPPER .....         | 1   |         |

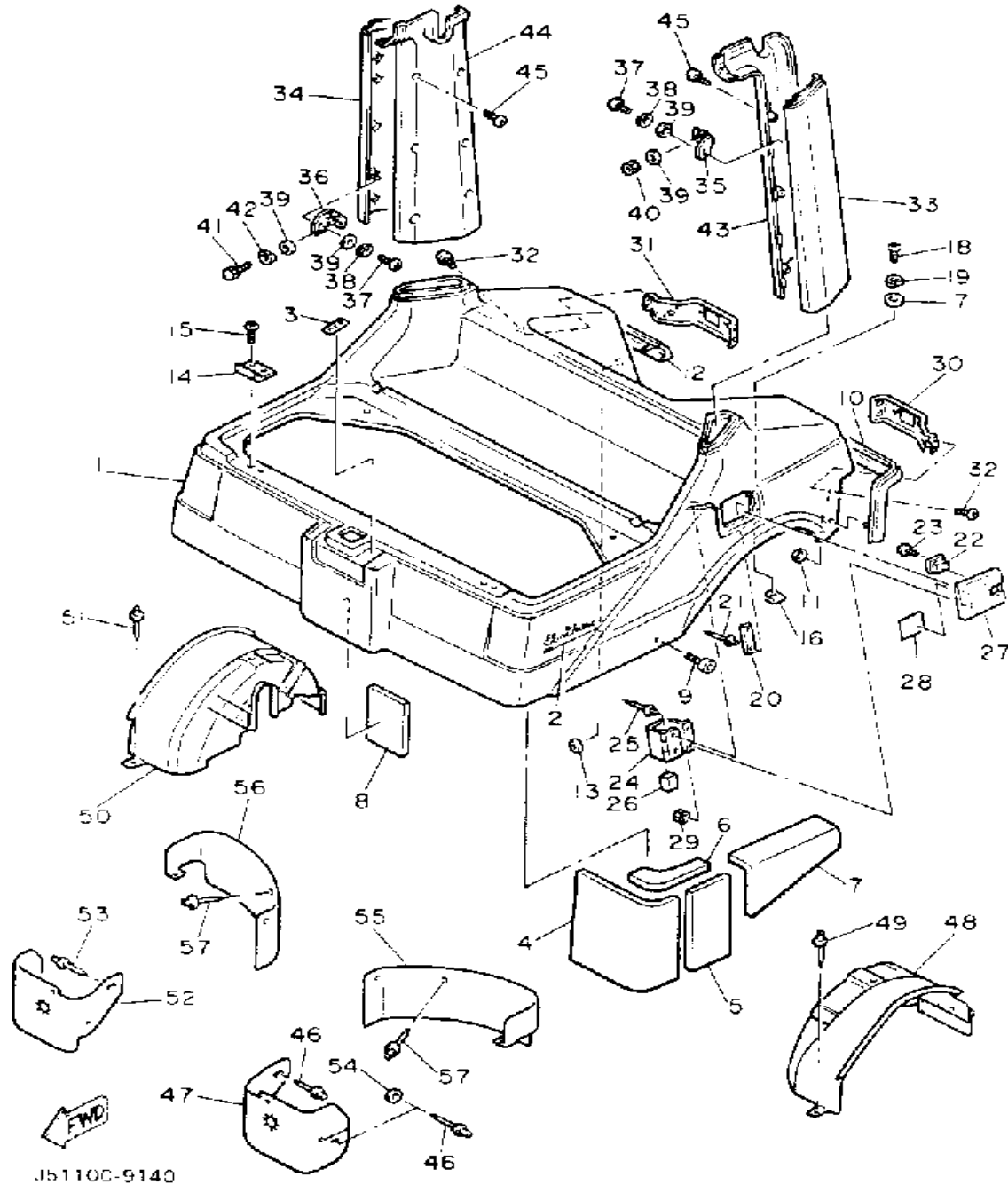
# BODY 3



| Ref. No. | Part Number     | Description                     | Qty | Remarks |
|----------|-----------------|---------------------------------|-----|---------|
| 1        | J50-K8142-01-00 | PANEL, REAR BODY (J50-K8142-00) | 1   |         |
| 2        | J50-78291-01-00 | EMBLEM 1                        | 2   |         |
| 3        | J51-77743-00-00 | INDICATOR 3                     | 1   |         |
| 4        | J51-78251-00-00 | PAD, SILENCER 1                 | 1   |         |
| 5        | J51-78252-00-00 | PAD, SILENCER 2                 | 1   |         |
| 6        | J51-78253-00-00 | PAD, SILENCER 3                 | 1   |         |
| 7        | J51-78254-00-00 | PAD, SILENCER 4                 | 1   |         |
| 8        | J50-78255-00-00 | PAD, SILENCER 5                 | 1   |         |
| 9        | 90110-06102-00  | BOLT, HEXAGON SOCKET HEAD       | 2   |         |
| 10       | J50-7824E-00-00 | TRIM, REAR BODY 1               | 1   |         |
| 11       | 90183-04005-00  | NUT, SPRING                     | 2   |         |
| 12       | J50-7824F-00-00 | TRIM, REAR BODY 2               | 1   |         |
| 13       | 90183-04005-00  | NUT, SPRING                     | 2   |         |
| 14       | J50-78427-00-00 | HINGE, SEAT 2                   | 2   |         |
| 15       | 90151-06010-00  | SCREW, COUNTERSUNK              | 4   |         |
| 16       | 90183-06028-00  | NUT, SPRING                     | 2   |         |
| 17       | 90201-06050-00  | WASHER, PLATE                   | 2   |         |
| 18       | 98580-06020-00  | SCREW                           | 2   |         |
| 19       | 92995-06100-00  | WASHER, SPRING                  | 2   |         |
| 20       | J50-7827A-00-00 | GUIDE 1                         | 1   |         |
| 21       | 90267-40054-00  | RIVET, BLIND                    | 2   |         |
| 22       | 1HX-21780-00-00 | LOCK ASSEMBLY                   | 1   |         |
| 23       | 97706-40510-00  | SCREW, TAPPING                  | 2   |         |
| 24       | 1HX-2849E-00-00 | HINGE 4                         | 1   |         |
| 25       | 90267-40054-00  | RIVET, BLIND                    | 2   |         |
| 26       | J50-7826A-00-00 | PAD BODY PROTECT 1              | 1   |         |
| 27       | J50-K8272-00-00 | COVER, FUEL INLET               | 1   |         |

CONTINUED ON NEXT FRAME ►

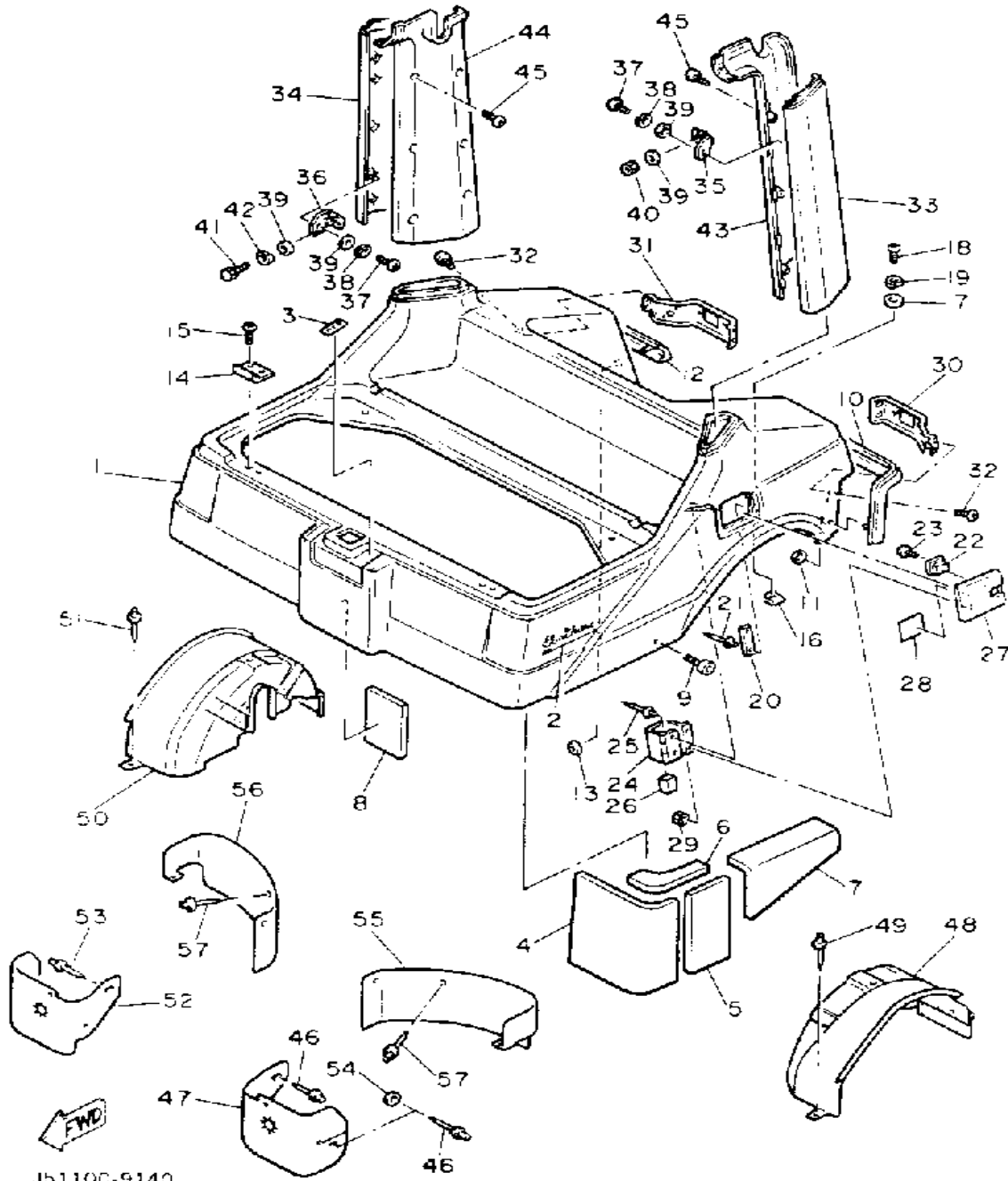
## BODY 3



| Ref. No. | Part Number     | Description                       | Qty | Remarks |
|----------|-----------------|-----------------------------------|-----|---------|
| 28       | J51-77764-00-00 | LABEL, WARNING 4                  | 1   |         |
| 29       | 95306-05600-00  | NUT                               | 2   |         |
| 30       | J50-H3368-00-00 | STAY, FLASHER 1                   | 1   |         |
| 31       | J50-H3369-00-00 | STAY, FLASHER 2                   | 1   |         |
| 32       | 90110-06102-00  | BOLT, HEXAGON SOCKET HEAD         | 8   |         |
| 33       | J50-K813F-00-00 | COVER, SIDE PILLAR                | 1   |         |
| 34       | J50-K813G-00-00 | COVER, SIDE PILLAR                | 1   |         |
| 35       | J50-7813W-00-00 | BRACKET, COVER 1                  | 4   |         |
| 36       | J50-7813X-00-00 | BRACKET, COVER 2                  | 4   |         |
| 37       | 98580-06012-00  | SCREW, PAN HEAD                   | 8   |         |
| 38       | 92995-06100-00  | WASHER, SPRING                    | 8   |         |
| 39       | 92990-06200-00  | WASHER                            | 16  |         |
| 40       | 95380-06600-00  | NUT                               | 2   |         |
| 41       | 97013-06012-00  | BOLT                              | 6   |         |
| 42       | 92995-06100-00  | WASHER, SPRING                    | 6   |         |
| 43       | J50-K817F-00-00 | COVER, REAR PILLAR                | 1   |         |
| 44       | J50-K817G-00-00 | COVER, REAR PILLAR                | 1   |         |
| 45       | 97780-50612-00  | SCREW, TAPPING                    | 12  |         |
| 46       | 90267-48141-00  | RIVET, BLIND                      | 2   |         |
| 47       | J50-7818K-00-00 | FLAP, FRONT FENDER                | 1   |         |
| 48       | J50-K8191-00-00 | PANEL, REAR FENDE 1               | 1   |         |
| 49       | 90267-48104-00  | RIVET, BLIND                      | 3   |         |
| 50       | J50-K8192-00-00 | PANEL, REAR FENDE 2               | 1   |         |
| 51       | 90267-48104-00  | RIVET, BLIND                      | 3   |         |
| 52       | J50-78187-00-00 | FLAP, FRONT FENDER                | 1   |         |
| 53       | 90267-49152-00  | RIVET, BLIND                      | 2   |         |
| 54       | 90201-05033-00  | WASHER, PLATE                     | 2   |         |
| 55       | J50-78185-00-00 | EXT, FRONT FENDER 1FRONT FENDER 1 | 1   |         |

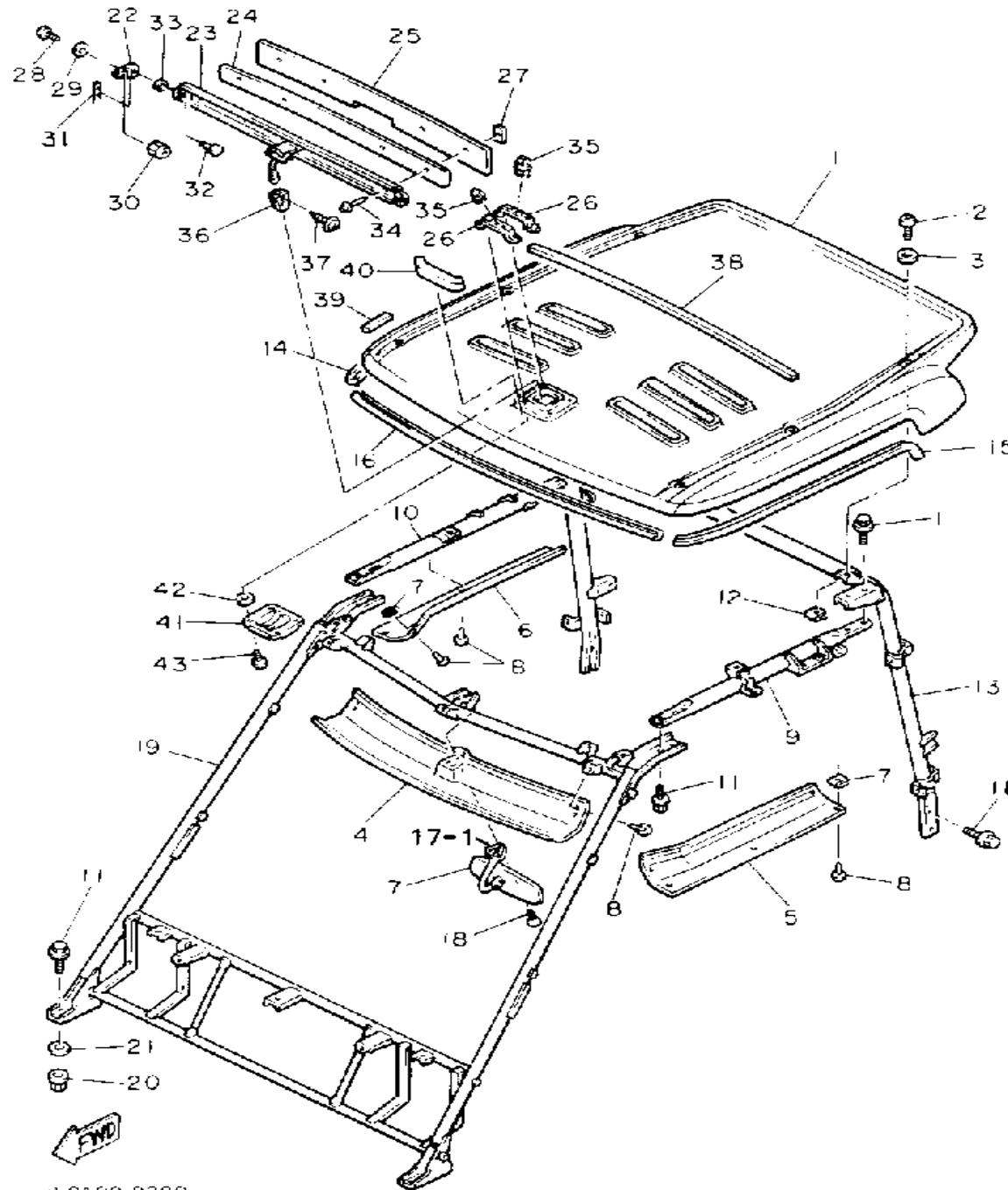
CONTINUED ON NEXT FRAME ►

# BODY 3



| Ref. No. | Part Number     | Description                                | Qty | Remarks   |
|----------|-----------------|--|-----|-----------|
| 56       | J50-78186-00-00 | EXT, FRONT FENDER 2FRONT<br>FENDER 2 ..... | 1   |           |
| 57       | 90267-48101-00  | RIVET, BLIND .....                         | 6   |           |
|          | PNT-90000-K0-94 | QRT, NEW WHITE 5 .....                     | 5   | NEW WHITE |

# SUN ROOF

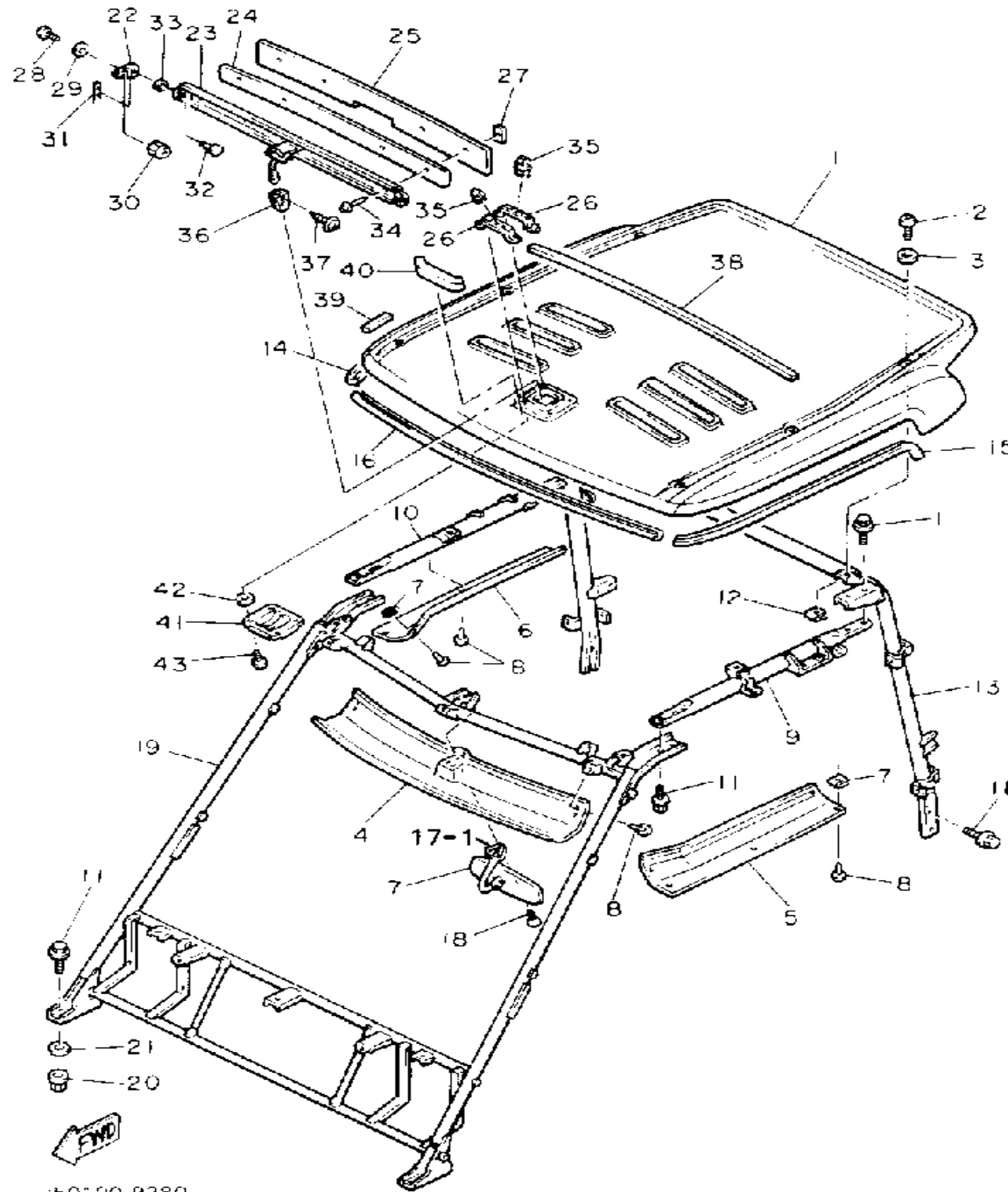


J50-00-9280

| Ref. No. | Part Number     | Description                        | Qty | Remarks |
|----------|-----------------|------------------------------------|-----|---------|
| 1        | J50-K8314-00-00 | COVER, SUN ROOF                    | 1   |         |
| 2        | 98980-08020-00  | SCREW, BIND                        | 6   |         |
| 3        | 92990-08200-00  | WASHER, PLAIN                      | 6   |         |
| 4        | J50-K8312-00-00 | SUPPORT, SUN ROO 1                 | 1   |         |
| 5        | J50-K8313-00-00 | SUPPORT, SUN ROO 2                 | 1   |         |
| 6        | J50-K831A-00-00 | SUPPORT, ROOF 3                    | 1   |         |
| 7        | J50-78342-00-00 | HOOK, SUPPORT                      | 6   |         |
| 8        | 90269-06063-00  | RIVET, SPEC"L SHAPE                | 14  |         |
| 9        | J50-K831G-00-00 | STAY, SUNROOF COVER                | 1   |         |
| 10       | J50-K831H-00-00 | STAY, SUNROOF COVER                | 1   |         |
| 11       | 95821-08020-00  | BOLT, FLANGE (95801-08020)         | 16  |         |
| 12       | 90183-08051-00  | NUT, SPRING                        | 2   |         |
| 13       | J50-K8311-00-00 | FRAME, SUN ROOF                    | 1   |         |
| 14       | J50-7831X-00-00 | TRIM, ROOF 3                       | 1   |         |
| 15       | J50-7831J-00-00 | TRIM, ROOF                         | 1   |         |
| 16       | J50-78315-00-00 | TRIM, ROOF                         | 1   |         |
| 17       | J50-26290-00-00 | MIRROR ASSEMBLY ASS"Y (RIGHT)      | 1   |         |
| 18       | 98586-05016-00  | SCREW, PAN HEAD                    | 3   |         |
| 19       | J50-K8301-00-00 | FRAME COMP., ROOF                  | 1   |         |
| 20       | 95701-08500-00  | NUT, FLANGE                        | 4   |         |
| 21       | 90201-084K3-00  | WASHER, PLATE                      | 4   |         |
| 22       | J50-7831L-00-00 | REINFORCEMENT, ROOF ROOF SUPPORT 1 | 2   |         |
| 23       | J50-7834E-01-00 | HOLDER COMP. 1                     | 1   |         |
| 24       | J50-7831U-00-00 | PLATE, ROOF                        | 1   |         |
| 25       | J50-7831K-00-00 | END, ROOF TRIM                     | 1   |         |
| 26       | J50-7831R-00-00 | HOOK, END 3                        | 2   |         |
| 27       | J50-78344-00-00 | RETAINER 2                         | 4   |         |

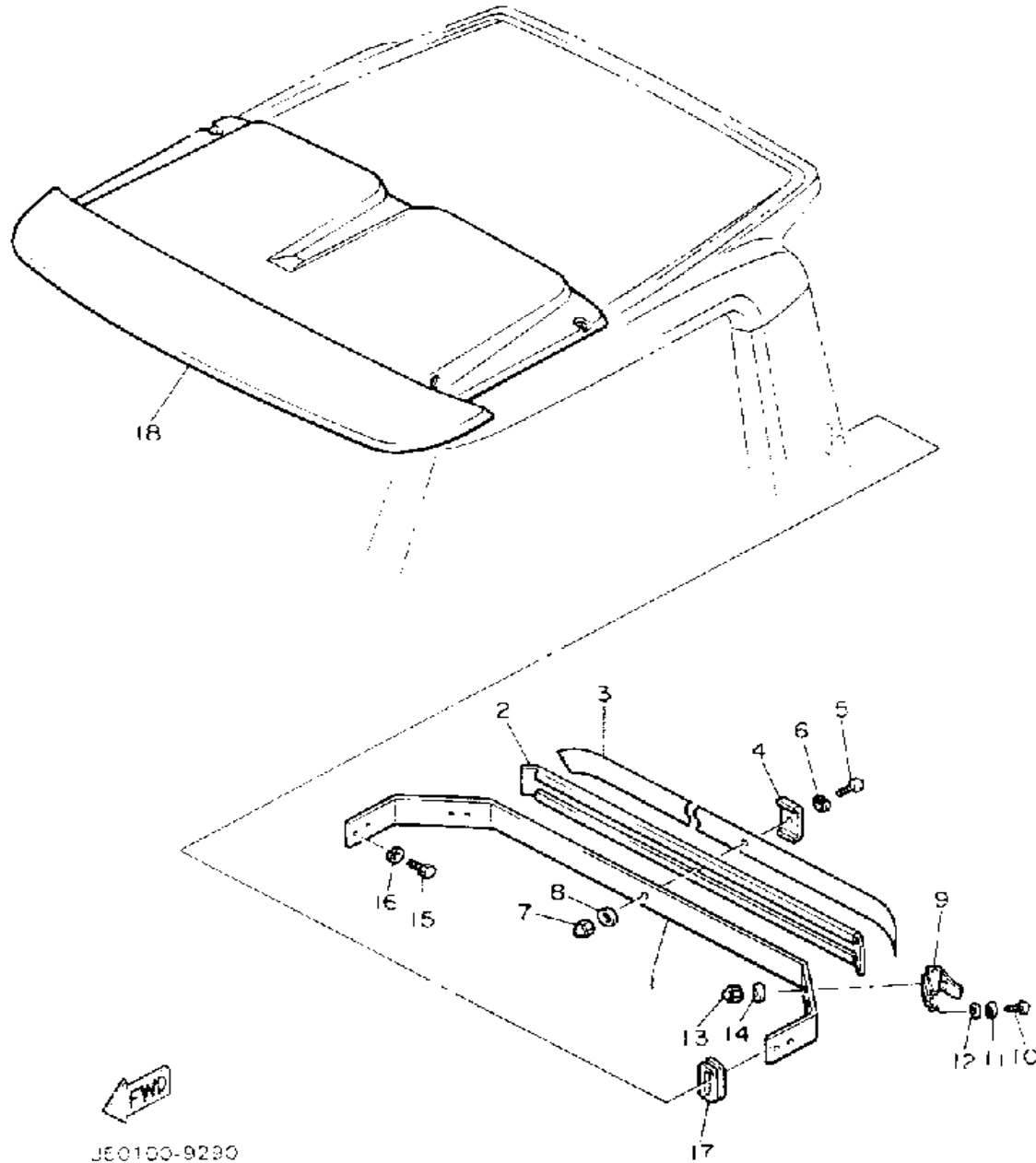
CONTINUED ON NEXT FRAME ►

# SUN ROOF



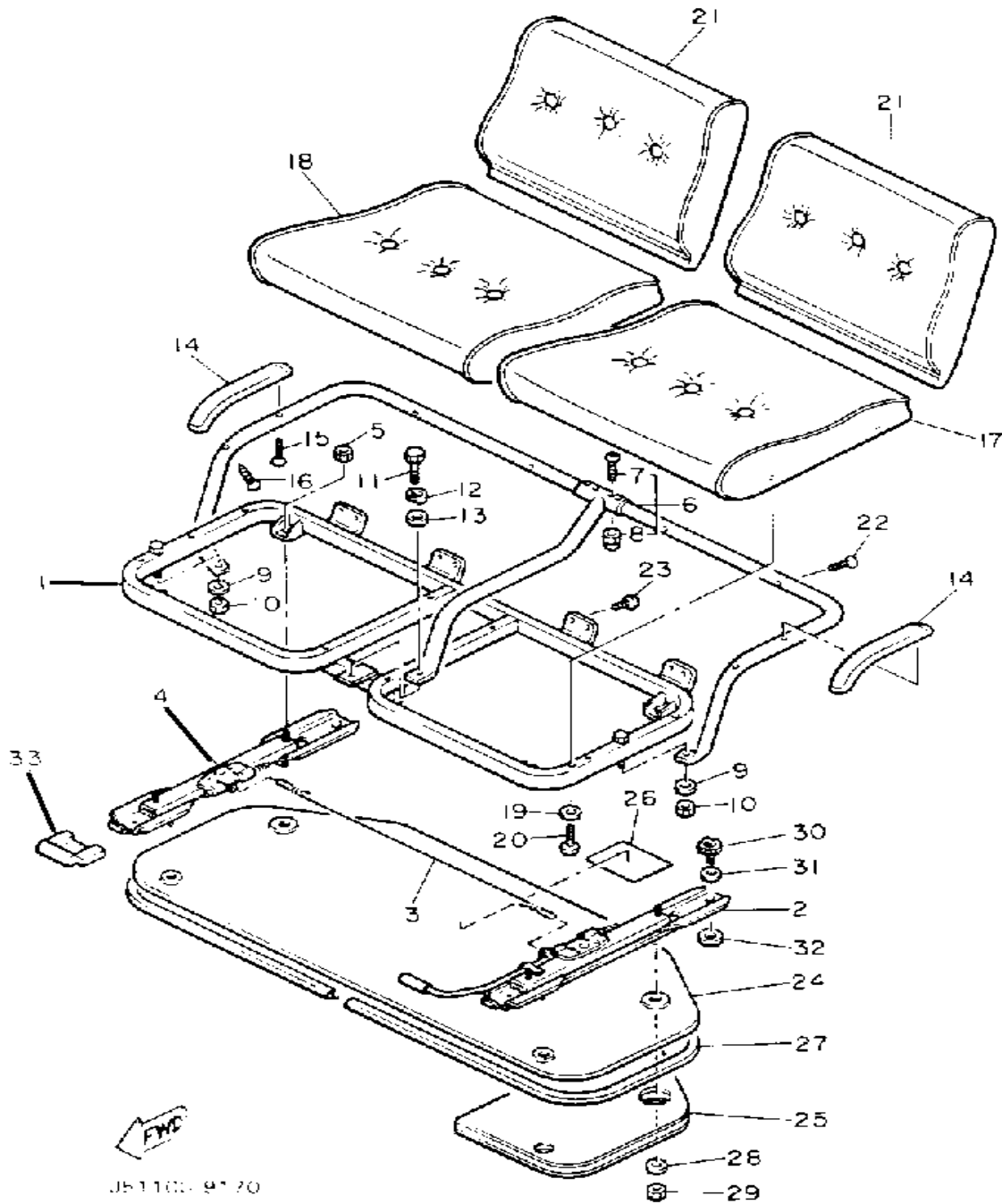
| Ref. No. | Part Number     | Description         | Qty | Remarks |
|----------|-----------------|---------------------|-----|---------|
| 28       | 98980-06014-00  | SCREW, BIND         | 2   |         |
| 29       | 92990-06200-00  | WASHER              | 2   |         |
| 30       | 95780-06300-00  | NUT, FLANGE         | 2   |         |
| 31       | 90468-10050-00  | CLIP                | 2   |         |
| 32       | 90240-06005-00  | PIN, CLEVIS         | 2   |         |
| 33       | 90201-06050-00  | WASHER, PLATE       | 2   |         |
| 34       | 90267-48138-00  | RIVET, BLIND        | 4   |         |
| 35       | J50-78358-00-00 | HOLDER 2            | 2   |         |
| 36       | JA9-52625-00-00 | KNOB                | 1   |         |
| 37       | 98606-03016-00  | SCREW, OVAL HEAD    | 2   |         |
| 38       | J50-7814A-00-00 | SEAL, BODY UPPER    | 1   |         |
| 39       | J50-78316-00-00 | DAMPER              | 2   |         |
| 40       | J50-78337-00-00 | SEAL, SIDE WND/SHLD | 1   |         |
| 41       | J50-7832F-00-00 | GROMMET, ROOF SUP 1 | 1   |         |
| 42       | 90201-05651-00  | WASHER, PLATE       | 4   |         |
| 43       | 90149-05282-00  | SCREW, SPEC'L SHAPE | 4   |         |
| 17-1     | J50-2628N-00-00 | BASE, MIRROR        | 1   |         |

# CARRIER



| Ref. No. | Part Number     | Description        | Qty | Remarks |
|----------|-----------------|--------------------|-----|---------|
| 1        | J50-78351-00-00 | SUPPORT, BAG UPPER | 1   |         |
| 2        | J50-78356-00-00 | PAD, BAG SUPPORT   | 1   |         |
| 3        | J50-78355-00-00 | BAND               | 1   |         |
| 4        | J38-78367-00-00 | PLATE, ANCHOR      | 1   |         |
| 5        | 98980-06020-00  | SCREW, BIND        | 1   |         |
| 6        | 92995-06100-00  | WASHER, SPRING     | 1   |         |
| 7        | 95380-06800-00  | NUT                | 1   |         |
| 8        | 92990-06200-00  | WASHER             | 1   |         |
| 9        | J10-78380-00-00 | LOCK ASSEMBLY      | 2   |         |
| 10       | 98580-06016-00  | SCREW, PAN HEAD    | 4   |         |
| 11       | 92995-06100-00  | WASHER, SPRING     | 4   |         |
| 12       | 92990-06600-00  | WASHER, PLATE      | 4   |         |
| 13       | 95380-06800-00  | NUT                | 4   |         |
| 14       | 92990-06200-00  | WASHER             | 4   |         |
| 15       | 97011-08016-00  | BOLT               | 4   |         |
| 16       | 92990-08100-00  | WASHER             | 4   |         |
| 17       | J50-7836F-00-00 | GROMMET            | 2   |         |
| 18       | J50-7831F-00-00 | SUPPORT, ROOF 5    | 1   |         |

## SEAT

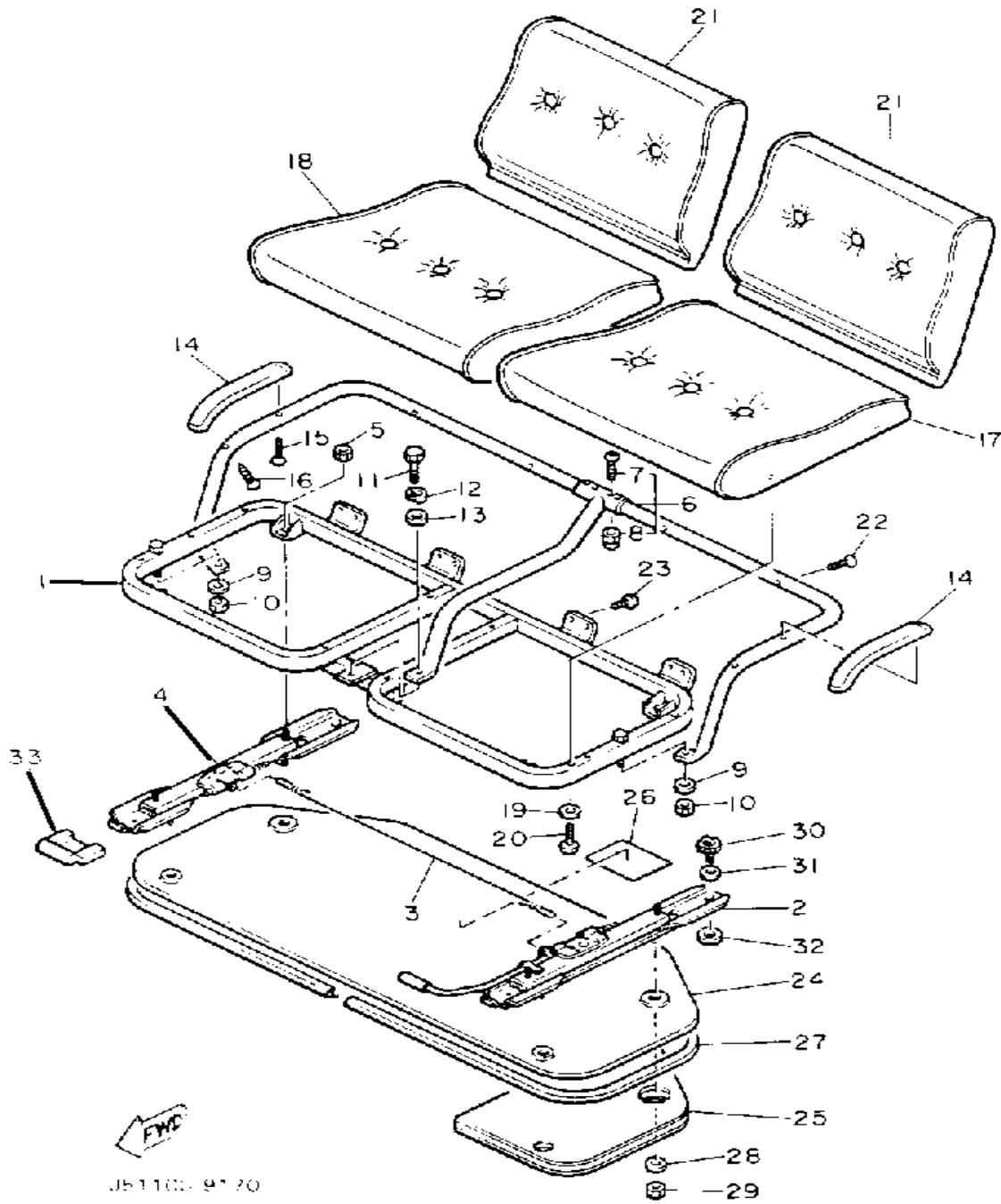


J51103-9170

| Ref. No. | Part Number     | Description                           | Qty | Remarks      |
|----------|-----------------|---------------------------------------|-----|--------------|
| 1        | J50-K8451-00-00 | FRAME, SLIDE SEAT .....               | 1   |              |
| 2        | J50-78452-00-00 | SEAT-ADJUSTER 1 .....                 | 1   |              |
| 3        | J50-78457-00-00 | WIRE, ADJUSTER .....                  | 1   |              |
| 4        | J50-78453-00-00 | SEAT-ADJUSTER 2 .....                 | 1   |              |
| 5        | 95333-08600-00  | NUT .....                             | 4   |              |
| 6        | J50-K8421-00-00 | SUPPORT, SEAT .....                   | 1   |              |
| 7        | 98580-06035-00  | . SCREW, PAN HEAD .....               | 4   |              |
| 8        | 95380-06800-00  | . NUT .....                           | 4   |              |
| 9        | 92990-08600-00  | WASHER, PLATE .....                   | 2   |              |
| 10       | 95380-08600-00  | NUT .....                             | 2   |              |
| 11       | 97011-08016-00  | BOLT .....                            | 1   |              |
| 12       | 92990-08100-00  | WASHER .....                          | 1   |              |
| 13       | 92990-08600-00  | WASHER, PLATE .....                   | 1   |              |
| 14       | J50-78361-00-00 | ARM REST 1 .....                      | 2   |              |
| 15       | 98680-05030-00  | SCREW, OVAL HEAD .....                | 2   |              |
| 16       | 97780-50330-00  | SCREW, TAPPING .....                  | 2   |              |
| 17       | J50-K8401-00-00 | SEAT SB/ASSEMBLY, CSHN ..             | 1   | J42-78401-00 |
| 18       | J50-K8403-00-00 | SEAT SB/ASSEMBLY, CSH 2 ..            | 1   | J42-78403-00 |
| 19       | 90201-065F3-00  | WASHER, PLATE .....                   | 8   |              |
| 20       | 98580-06545-00  | SCREW PAN HEAD<br>(92503-06045) ..... | 8   |              |
| 21       | J50-K8402-00-00 | SEAT SB/ASSEMBLY, BACK ..             | 2   | J42-78402-00 |
| 22       | 90152-06017-00  | SCREW, COUNTERSUNK .....              | 4   |              |
| 23       | 90149-059U1-00  | SCREW, PANHEAD<br>(97701-50516) ..... | 8   |              |
| 24       | J50-K8414-00-00 | PLATE, SEAT BOTTOM .....              | 1   |              |
| 25       | J51-78255-00-00 | PAD, SILENCER 5 .....                 | 1   |              |
| 26       | J51-77765-00-00 | LABEL, WARNING 5 .....                | 1   |              |
| 27       | J50-78425-01-00 | SEAL, SEAT .....                      | 1   |              |

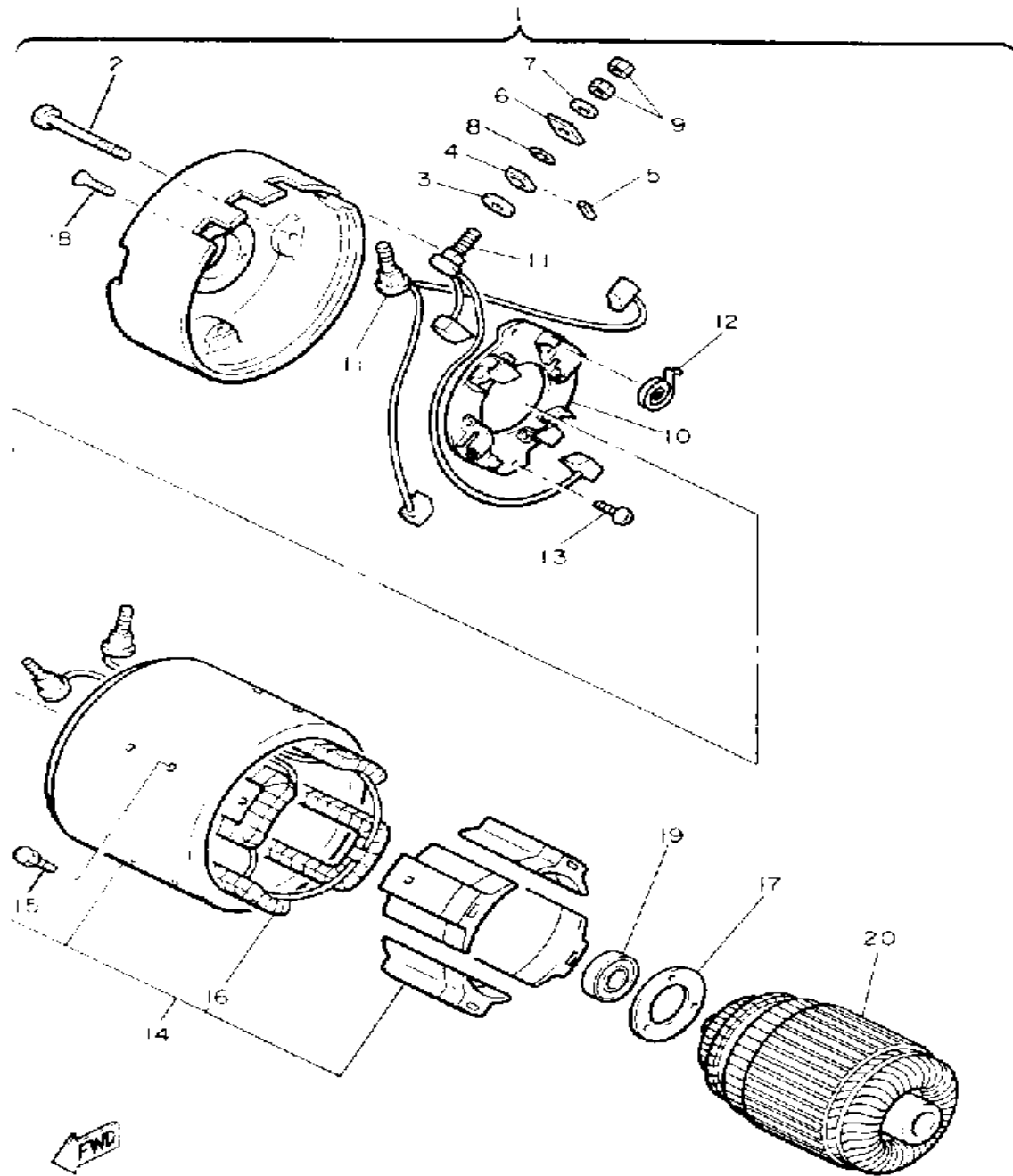
CONTINUED ON NEXT FRAME ►

## SEAT



| Ref. No. | Part Number     | Description            | Qty | Remarks |
|----------|-----------------|------------------------|-----|---------|
| 28       | 92990-08600-00  | WASHER, PLATE .....    | 4   |         |
| 29       | 95380-08600-00  | NUT .....              | 4   |         |
| 30       | J50-78417-00-00 | KNOB, PLATE SEAT ..... | 2   |         |
| 31       | 90201-08795-00  | WASHER, PLATE .....    | 2   |         |
| 32       | 90201-105H3-00  | WASHER, PLATE .....    | 2   |         |
| 33       | J50-78139-00-00 | CAP, END .....         | 2   |         |

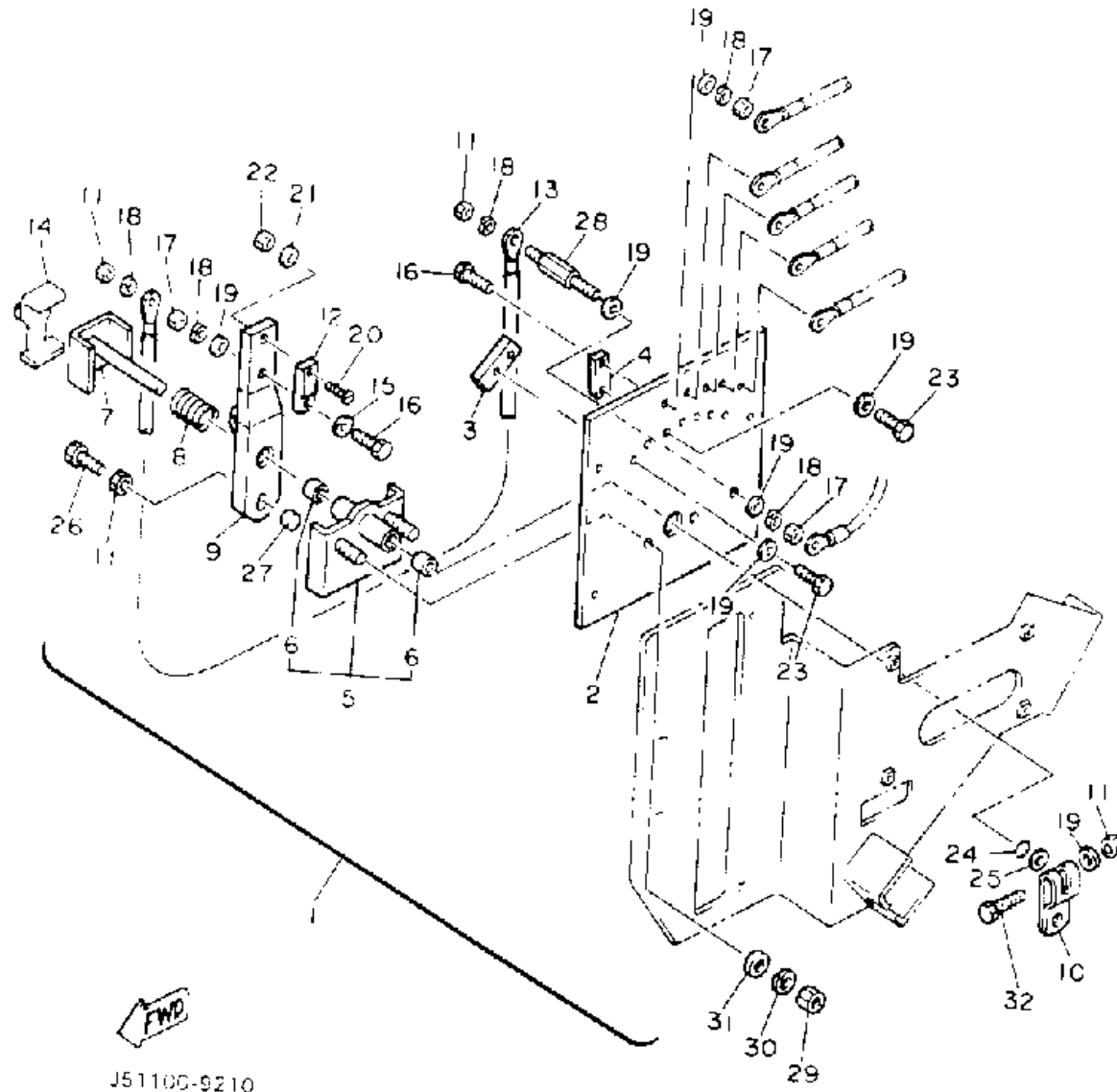
# STARTING MOTOR



J5-100-925C

| Ref. No. | Part Number     | Description                 | Qty | Remarks |
|----------|-----------------|-----------------------------|-----|---------|
| 1        | J51-H1890-01-00 | STARTING MOTOR ASSEMBLY     | 1   |         |
| 2        | J56-H1828-00-00 | . BOLT 2                    | 2   |         |
| 3        | J56-H1824-00-00 | . WASHER 2                  | 4   |         |
| 4        | J56-H182G-00-00 | . BUSH, TERMINAL            | 4   |         |
| 5        | J56-H1861-00-00 | . GASKET                    | 4   |         |
| 6        | J56-H1843-00-00 | . WASHER 1                  | 4   |         |
| 7        | J56-H1894-00-00 | . WASHER, SPECIAL           | 4   |         |
| 8        | J56-H1847-00-00 | . O"RING                    | 4   |         |
| 9        | J56-H182A-00-00 | . NUT                       | 8   |         |
| 10       | J51-H1840-00-00 | . BRUSH HOLDER ASSEMBLY     | 1   |         |
| 11       | J56-H1801-00-00 | . BRUSH SET                 | 2   |         |
| 12       | J56-H1813-00-00 | . SPRING, BRUSH 1           | 4   |         |
| 13       | J56-H1848-00-00 | . SCREW, BRUSH HOLDER       | 4   |         |
| 14       | ϕJ5-1H181-00-00 | . UNAVAILABLE IN PRICE BOOK | 1   |         |
| 15       | J56-H1826-00-00 | . BOLT                      | 8   |         |
| 16       | J51-H1160-00-00 | . FIELD COIL ASSEMBLY       | 1   |         |
| 17       | J56-H1857-00-00 | . RETAINER                  | 1   |         |
| 18       | J56-H1846-00-00 | . SCREW                     | 3   |         |
| 19       | J56-H1856-00-00 | . RETAINER                  | 1   |         |
| 20       | J51-H1850-00-00 | . ARMATURE ASSEMBLY         | 1   |         |

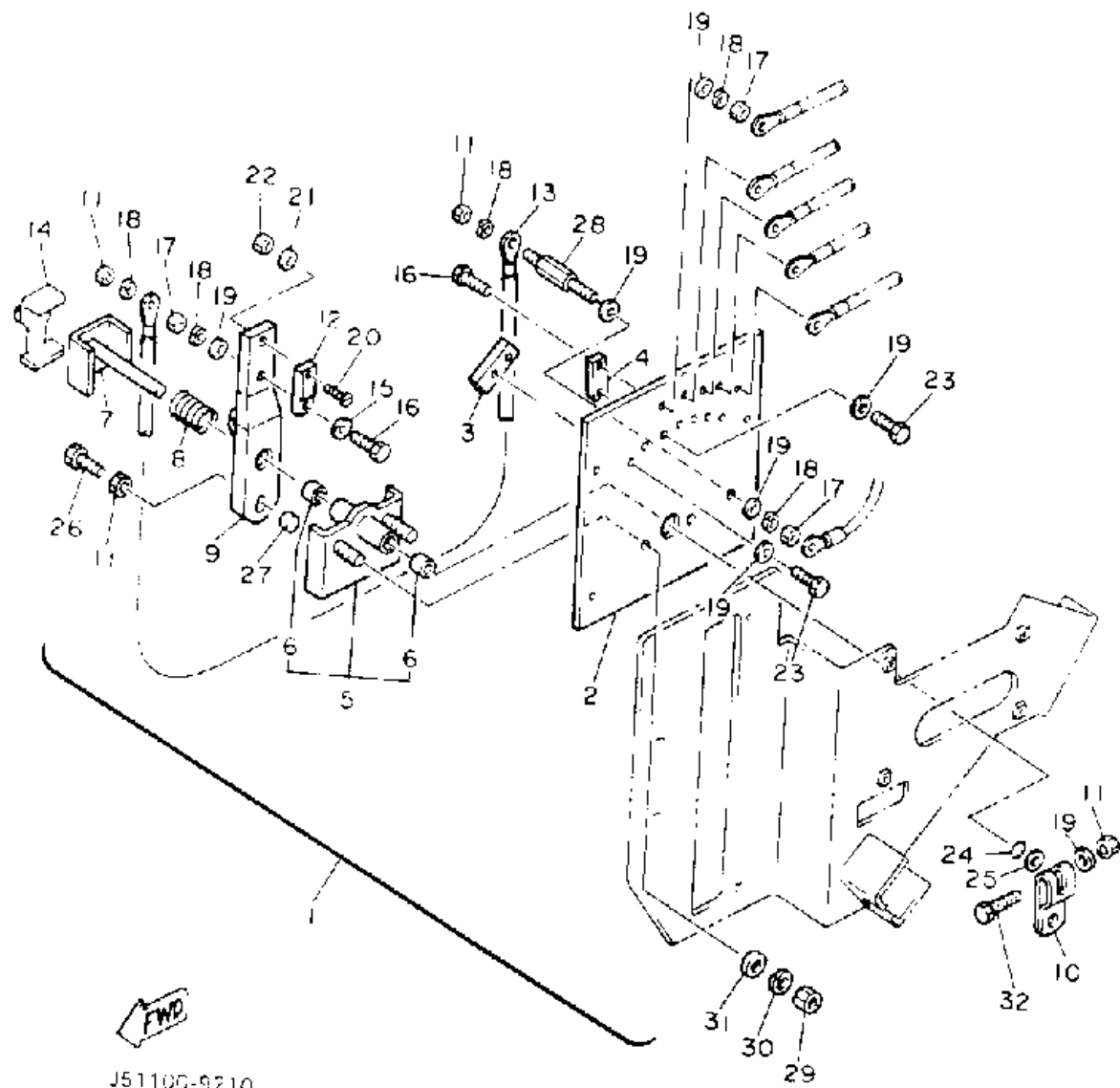
# CONTROLLER 1



| Ref. No. | Part Number     | Description                      | Qty | Remarks |
|----------|-----------------|----------------------------------|-----|---------|
| 1        | J51-86140-00-00 | CONTROLLER ASSEMBLY              | 1   |         |
| 2        | J46-86142-00-00 | . BASE, PLATE                    | 1   |         |
| 3        | J14-82103-00-00 | . TERMINAL 1                     | 1   |         |
| 4        | J14-86162-00-00 | . CONTACT, STATE                 | 5   |         |
| 5        | J14-86156-00-00 | . HOLDER, SHAFT                  | 1   |         |
| 6        | 90380-10010-00  | . BUSH, SOLID                    | 2   |         |
| 7        | ϕJ5-18615-50-00 | . UNAVAILABLE IN PRICE BOOK      | 1   |         |
| 8        | 90501-16573-00  | . SPRING, COMPRESSION            | 1   |         |
| 9        | J22-86152-00-00 | . ARM, MOVING                    | 1   |         |
| 10       | ϕJ5-18614-40-00 | . UNAVAILABLE IN PRICE BOOK      | 1   |         |
| 11       | 95380-06700-00  | . NUT                            | 4   |         |
| 12       | J14-86153-00-00 | . CONTACT, MOVING                | 1   |         |
| 13       | J22-86157-00-00 | . WIRE, LEAD                     | 1   |         |
| 14       | J22-86158-00-00 | . SPRING, COMPRESSION            | 1   |         |
| 15       | 90201-063F3-00  | . WASHER, PLATE                  | 1   |         |
| 16       | 90101-06469-00  | . BOLT                           | 6   |         |
| 17       | 95320-06600-00  | . NUT                            | 7   |         |
| 18       | 92995-06100-00  | . WASHER, SPRING                 | 9   |         |
| 19       | 92990-06600-00  | . WASHER, PLATE                  | 16  |         |
| 20       | 98701-04016-00  | . SCREW, FLAT HEAD (98702-04016) | 1   |         |
| 21       | 92902-04300-00  | . WASHER, IN.TOOTH               | 1   |         |
| 22       | 95301-04600-00  | . NUT                            | 1   |         |
| 23       | 97013-06012-00  | . BOLT                           | 7   |         |
| 24       | 93210-10166-00  | . O-RING                         | 1   |         |
| 25       | 92990-10600-00  | . WASHER, PLATE                  | 1   |         |
| 26       | 97011-06020-00  | . BOLT                           | 1   |         |
| 27       | 90386-05111-00  | . BUSH, SPEC'L NYLON             | 1   |         |

CONTINUED ON NEXT FRAME ►

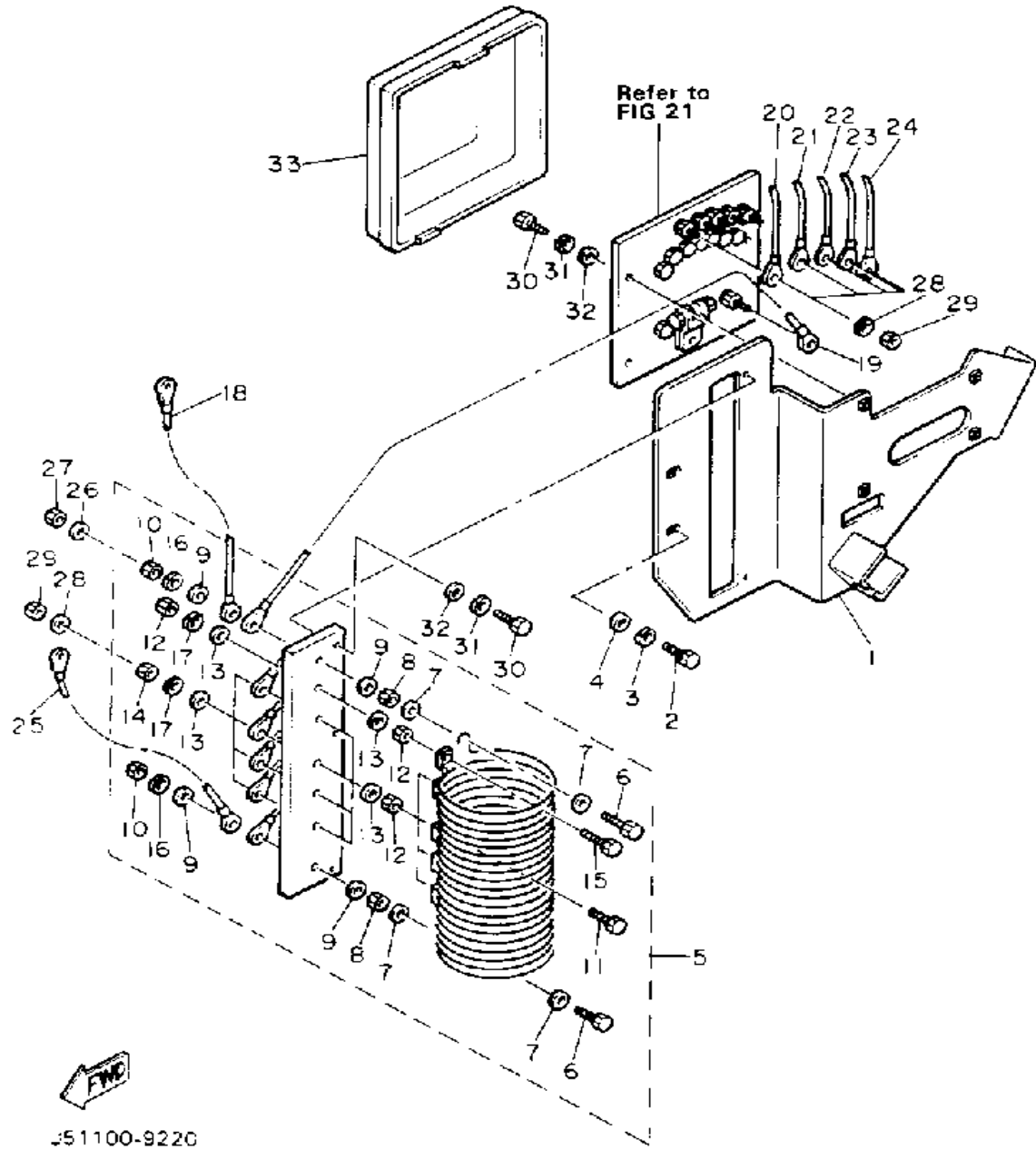
# CONTROLLER 1



J51100-9210

| Ref. No. | Part Number     | Description      | Qty | Remarks |
|----------|-----------------|------------------|-----|---------|
| 28       | J22-82104-00-00 | . TERMINAL 2     | 1   |         |
| 29       | 95303-08700-00  | . NUT            | 2   |         |
| 30       | 95902-08100-00  | . WASHER, SPRING | 2   |         |
| 31       | 92990-08600-00  | . WASHER, PLATE  | 2   |         |
| 32       | 97021-06030-00  | . BOLT           | 1   |         |

# CONTROLLER 2

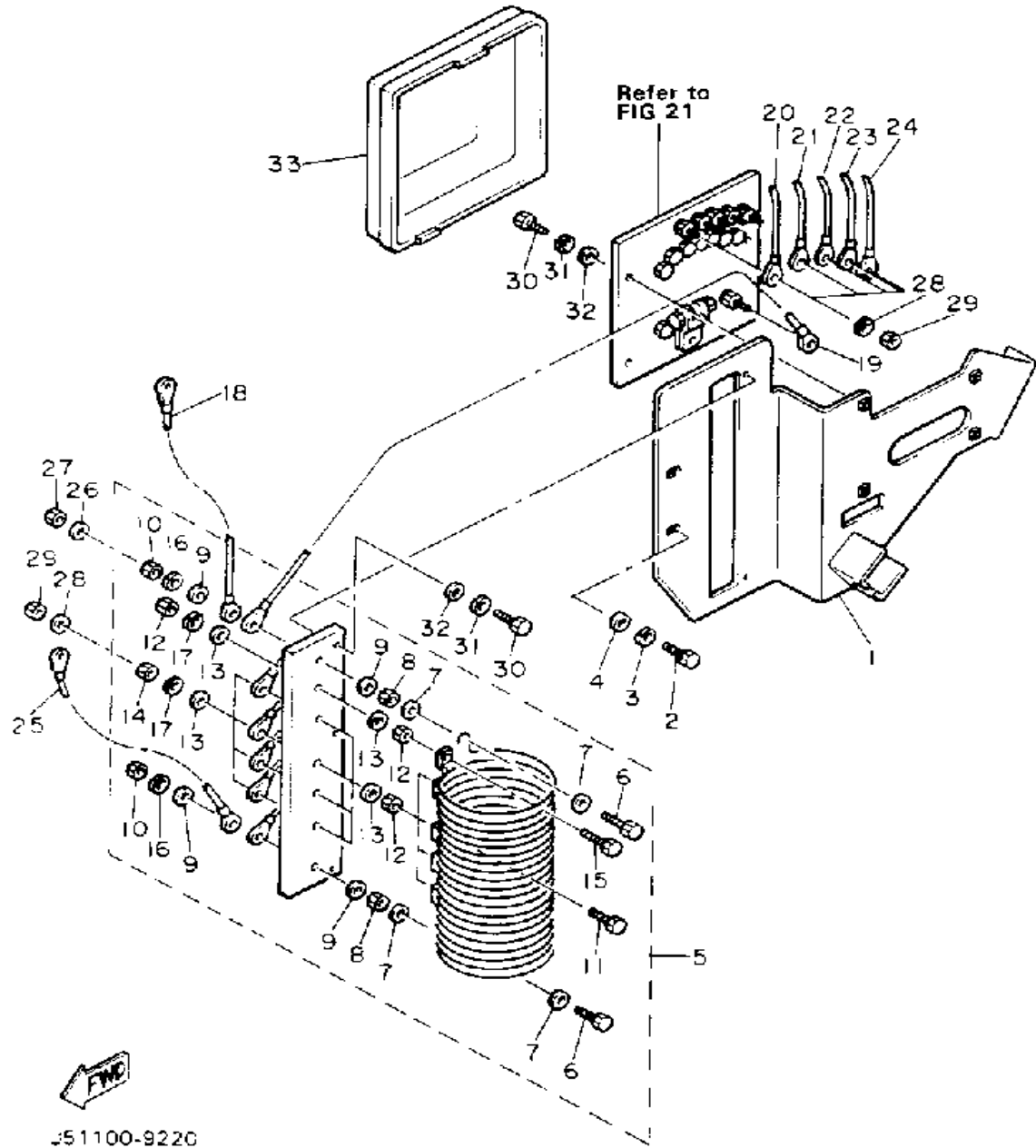


J51100-9220

| Ref. No. | Part Number     | Description          | Qty | Remarks |
|----------|-----------------|----------------------|-----|---------|
| 1        | J51-86141-00-00 | PLATE, CONTROLLER    | 1   |         |
| 2        | 97011-06025-00  | BOLT (97001-06025)   | 4   |         |
| 3        | 92995-06100-00  | WASHER, SPRING       | 4   |         |
| 4        | 92990-06600-00  | WASHER, PLATE        | 4   |         |
| 5        | J51-85370-00-00 | RESISTOR ASSEMBLY    | 1   |         |
| 6        | 90101-08470-00  | . BOLT               | 2   |         |
| 7        | 90201-083F1-00  | . WASHER, PLATE      | 4   |         |
| 8        | 95303-08700-00  | . NUT                | 2   |         |
| 9        | 92990-08600-00  | . WASHER, PLATE      | 4   |         |
| 10       | 95320-08700-00  | . NUT                | 2   |         |
| 11       | 90101-06469-00  | . BOLT               | 4   |         |
| 12       | 95380-06700-00  | . NUT                | 6   |         |
| 13       | 92990-06600-00  | . WASHER, PLATE      | 10  |         |
| 14       | 95320-06600-00  | . NUT                | 4   |         |
| 15       | 97011-06025-00  | . BOLT (97001-06025) | 1   |         |
| 16       | 92990-08100-00  | . WASHER             | 2   |         |
| 17       | 92995-06100-00  | . WASHER, SPRING     | 5   |         |
| 18       | J51-86176-00-00 | WIRE, LEAD           | 1   |         |
| 19       | J51-82507-00-00 | WIRE, LEAD           | 1   |         |
| 20       | J14-86175-00-00 | WIRE, LEAD 5         | 1   |         |
| 21       | J14-86175-00-00 | WIRE, LEAD 5         | 1   |         |
| 22       | J14-86175-00-00 | WIRE, LEAD 5         | 1   |         |
| 23       | J14-86175-00-00 | WIRE, LEAD 5         | 1   |         |
| 24       | J14-86175-00-00 | WIRE, LEAD 5         | 1   |         |
| 25       | J51-82541-00-00 | WIRE, LEAD           | 1   |         |
| 26       | 92990-08100-00  | WASHER               | 2   |         |
| 27       | 95303-08700-00  | NUT                  | 2   |         |
| 28       | 92995-06100-00  | WASHER, SPRING       | 4   |         |
| 29       | 95380-06700-00  | NUT                  | 4   |         |

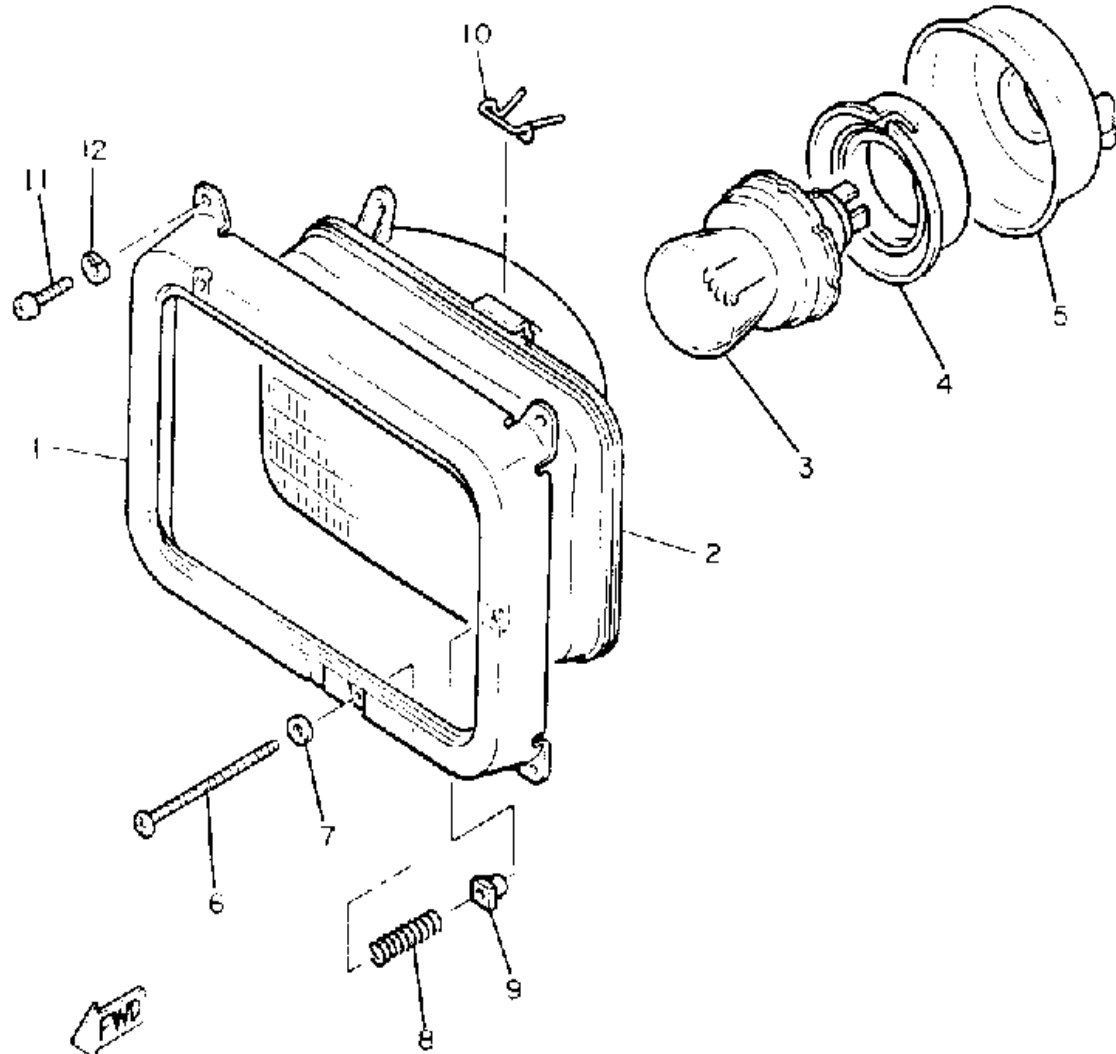
CONTINUED ON NEXT FRAME ➤

# CONTROLLER 2



| Ref. No. | Part Number     | Description             | Qty | Remarks      |
|----------|-----------------|-------------------------|-----|--------------|
| 30       | 97011-08016-00  | BOLT .....              | 4   |              |
| 31       | 92990-08100-00  | WASHER .....            | 4   |              |
| 32       | 92990-08600-00  | WASHER, PLATE .....     | 4   |              |
| 33       | J56-H6163-00-00 | COVER, CONTROLLER ..... | 1   | J14-86163-01 |

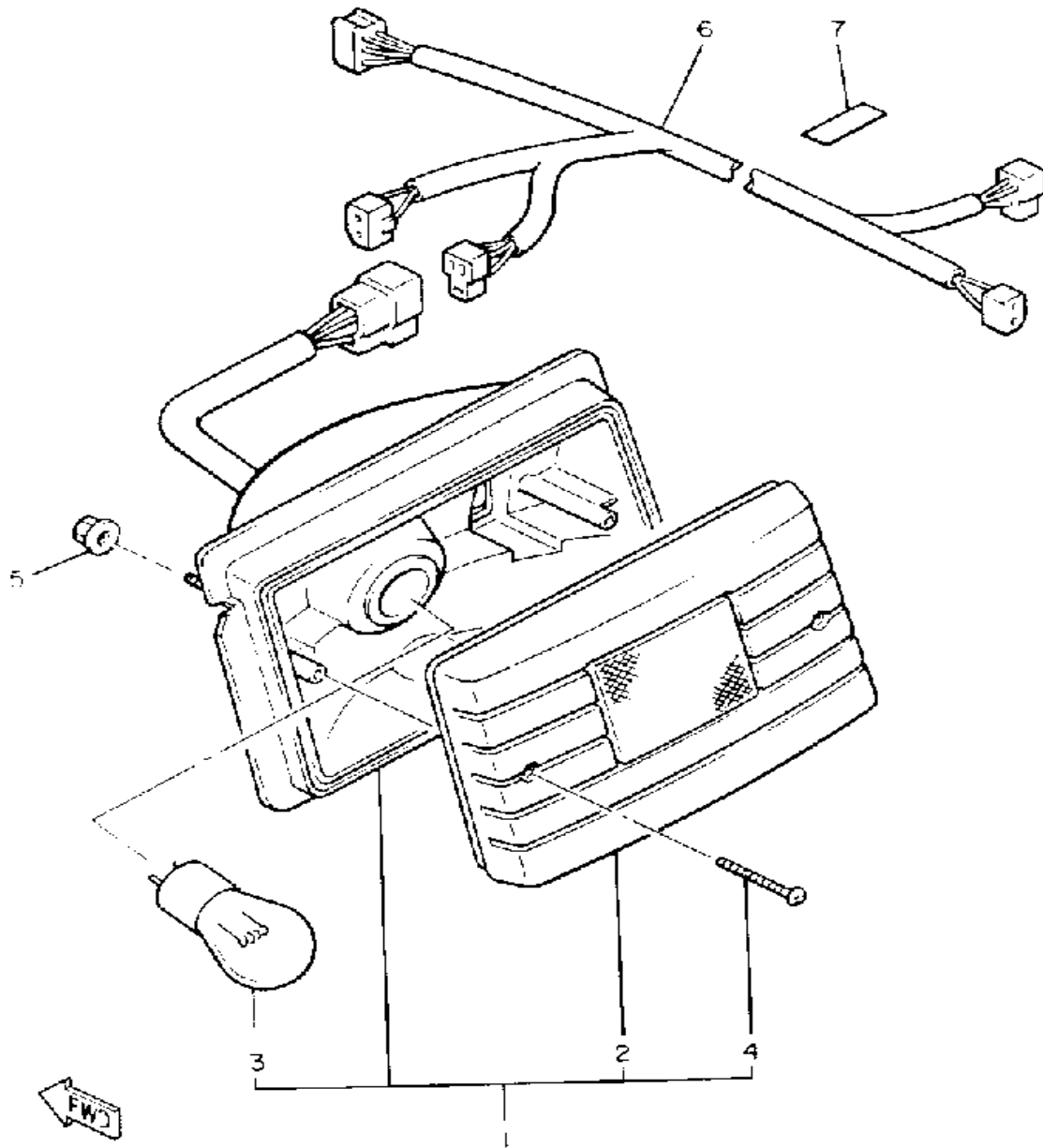
# HEADLIGHT



J50106-9330

| Ref. No. | Part Number     | Description                               | Qty | Remarks |
|----------|-----------------|---|-----|---------|
| 1        | J50-84315-00-00 | RIM, HEADLIGHT .....                      | 2   |         |
| 2        | 47J-84320-00-00 | LENS ASSEMBLY .....                       | 2   |         |
| 3        | 17E-84314-00-00 | BULB, HL 12V50/40W<br>(12V-50/40W) .....  | 2   |         |
| 4        | 341-84393-40-00 | HOLDER, BULB .....                        | 2   |         |
| 5        | 46X-84396-00-00 | COVER .....                               | 2   |         |
| 6        | 43F-84131-00-00 | SCREW, RIM ADJUSTER .....                 | 4   |         |
| 7        | 233-84127-60-00 | WASHER, SPECIAL .....                     | 4   |         |
| 8        | 341-84332-60-00 | SPRING, SCREW .....                       | 4   |         |
| 9        | 47J-84334-00-00 | NUT, ADJUSTING .....                      | 4   |         |
| 10       | 5G2-84324-A0-00 | SPRING, REFLECTOR<br>(5G2-84324-00) ..... | 2   |         |
| 11       | 98580-05010-00  | SCREW, PAN HEAD .....                     | 8   |         |
| 12       | 92990-05100-00  | WASHER, SPRING .....                      | 8   |         |

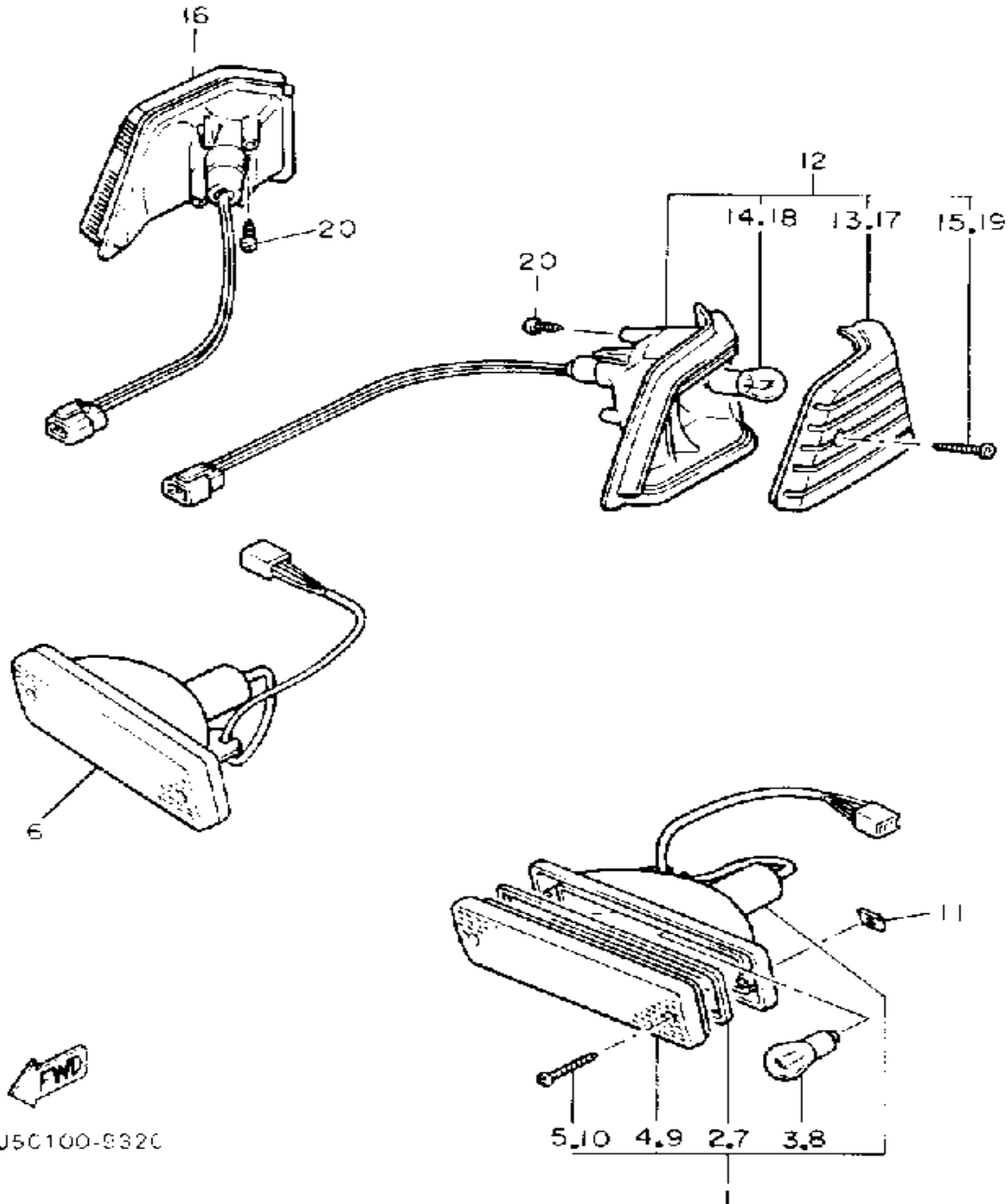
# TAILLIGHT



J5D100-9340

| Ref. No. | Part Number     | Description  | Qty | Remarks |
|----------|-----------------|--|-----|---------|
| 1        | J50-84710-00-00 | TAILLIGHT UNIT ASSEMBLY ..                         | 2   |         |
| 2        | 25G-84721-01-00 | . LENS, TAILLIGHT .....                            | 1   |         |
| 3        | 256-84714-61-00 | . BULB (12V-27/8W) .....                           | 1   |         |
| 4        | 97780-40130-00  | . SCREW, PANHEAD TAPPING<br>(97701-40130-00) ..... | 2   |         |
| 5        | 95701-06500-00  | NUT, FLANGE .....                                  | 4   |         |
| 6        | J50-84727-00-00 | CORD, TAILLIGHT .....                              | 1   |         |
| 7        | ϕJ4-27717-E0-00 | UNAVAILABLE IN PRICE BOOK                          | 4   |         |

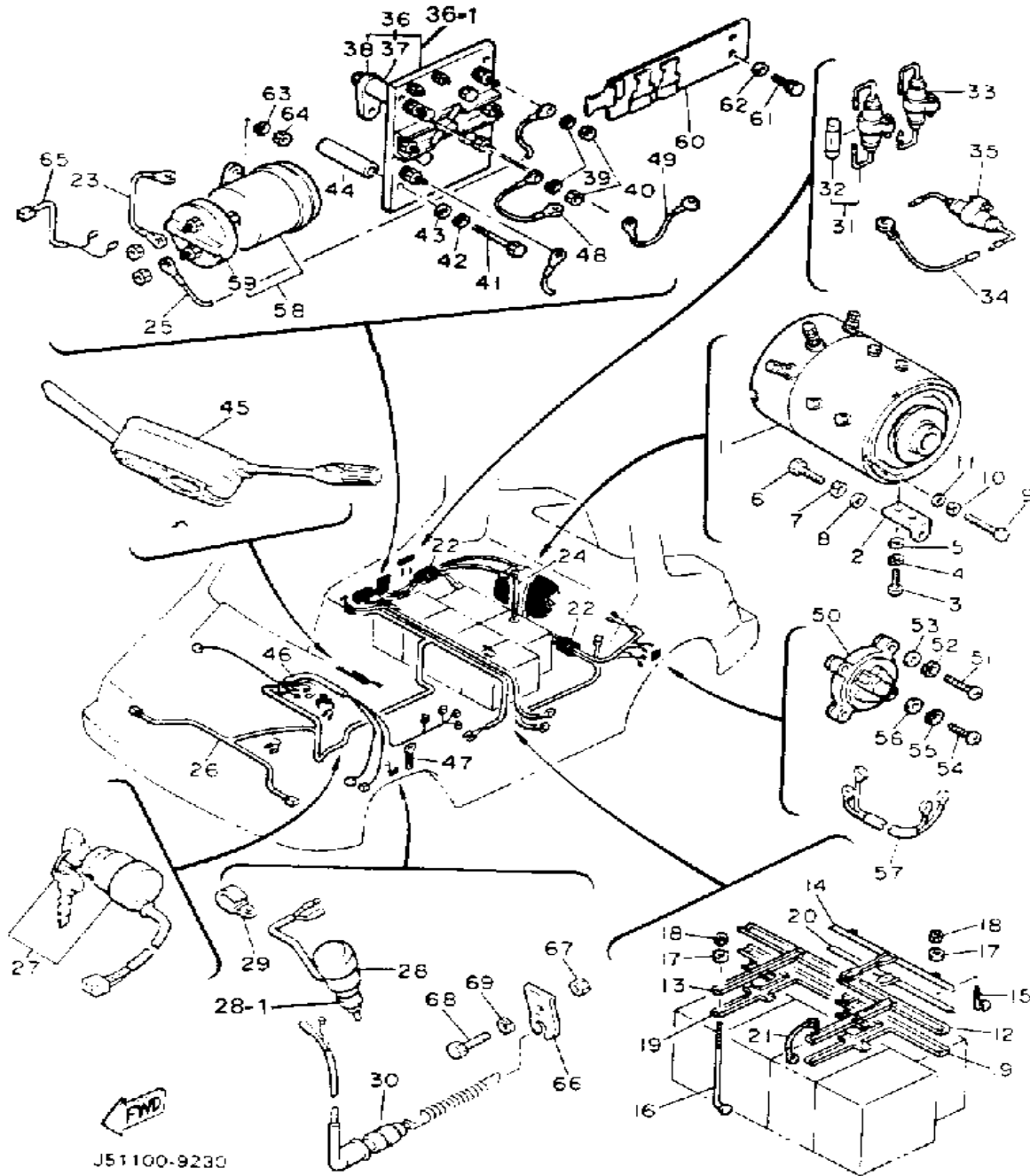
# TURNSIGNAL



| Ref. No. | Part Number     | Description                               | Qty | Remarks |
|----------|-----------------|---|-----|---------|
| 1        | J50-83310-00-00 | FRT FLSHR LITE ASSEMBLY                   | 1   |         |
| 2        | J50-83313-00-00 | . GASKET, FLSHR LENS                      | 1   |         |
| 3        | 137-84714-61-00 | . BULB, TL 12V23/8W (J50-83311-00)        | 1   |         |
| 4        | J50-83312-00-00 | . LENS, FLASHER                           | 1   |         |
| 5        | 97780-40535-00  | . SCREW, TAPPING (FJ1)                    | 2   |         |
| 6        | J50-83320-00-00 | FRT FLSHR LITE ASSEMBLY                   | 1   |         |
| 7        | J50-83313-00-00 | . GASKET, FLSHR LENS                      | 1   |         |
| 8        | 137-84714-61-00 | . BULB, TL 12V23/8W (J50-83311-00)        | 1   |         |
| 9        | J50-83322-00-00 | . LENS, FLASHER 2                         | 1   |         |
| 10       | 97780-40535-00  | . SCREW, TAPPING (FJ1)                    | 2   |         |
| 11       | 90183-04058-00  | NUT, SPRING                               | 4   |         |
| 12       | 25G-83330-00-00 | R FLSHR LITE ASSEMBLY                     | 1   |         |
| 13       | 25G-83332-00-00 | . LENS, FLASHER (L.H)                     | 1   |         |
| 14       | 256-83311-70-XX | . BULB, TS 12V27W                         | 1   |         |
| 15       | 97780-40130-00  | . SCREW, PANHEAD TAPPING (97701-40130-00) | 1   |         |
| 16       | 25G-83340-00-00 | R FLSHR LITE ASSEMBLY                     | 1   |         |
| 17       | 25G-83342-00-00 | . LENS, FLASHER (R.H)                     | 1   |         |
| 18       | 256-83311-70-XX | . BULB, TS 12V27W                         | 1   |         |
| 19       | 97780-40130-00  | . SCREW, PANHEAD TAPPING (97701-40130-00) | 1   |         |
| 20       | 97780-60116-00  | SCREW, TAPPING                            | 4   |         |

J5C100-8320

# ELECTRICAL 1

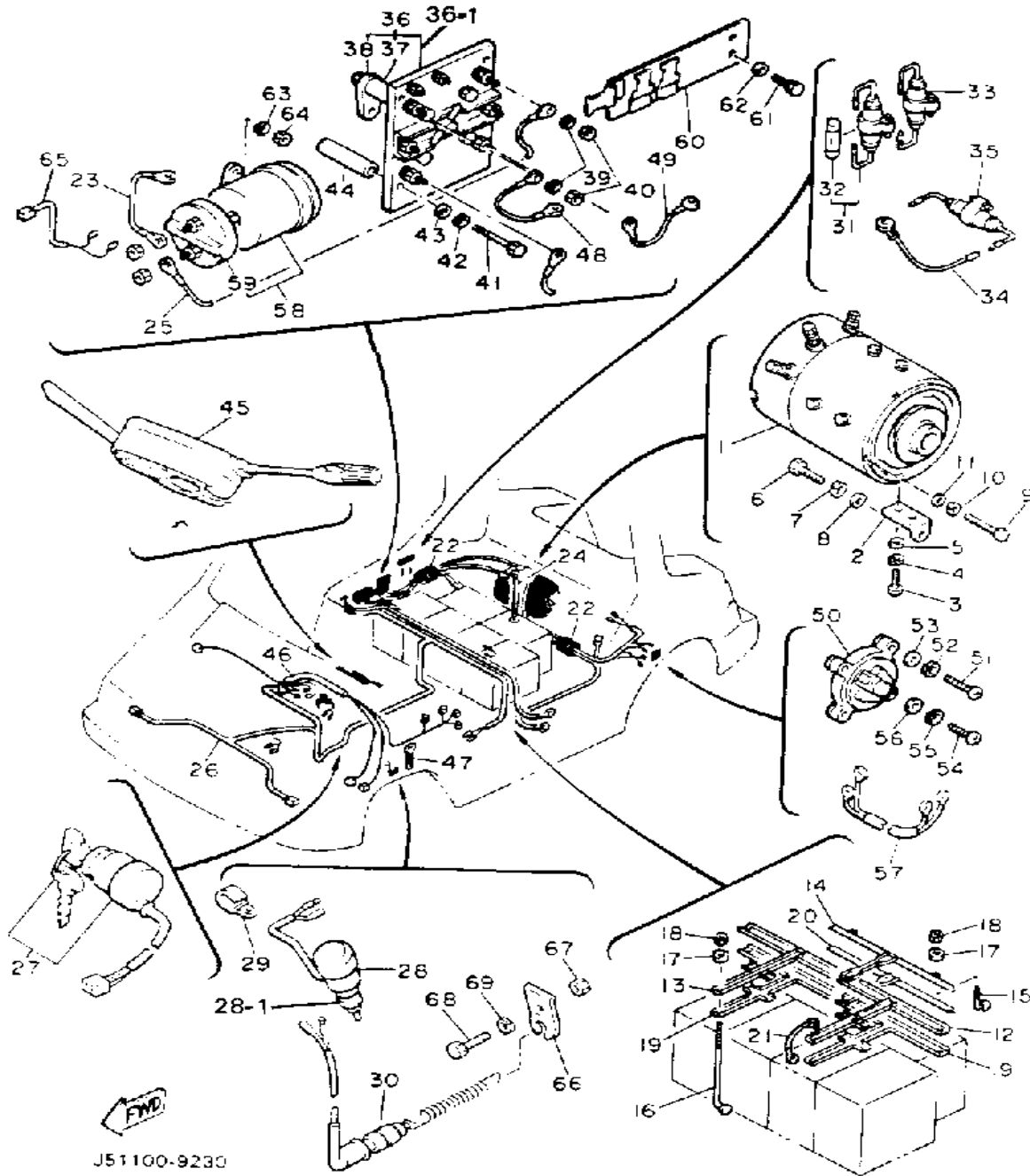


J51100-9230

| Ref. No. | Part Number     | Description                       | Qty | Remarks      |
|----------|-----------------|-----------------------------------|-----|--------------|
| 1        | J51-H1890-01-00 | STARTING MOTOR ASSEMBLY           | 1   | J14-81800-10 |
| 2        | J14-81823-01-00 | STAY, STARTING MTR (J14-81823-00) | 1   |              |
| 3        | 97011-06016-00  | BOLT                              | 2   |              |
| 4        | 92995-06100-00  | WASHER, SPRING                    | 2   |              |
| 5        | 92990-06600-00  | WASHER, PLATE                     | 2   |              |
| 6        | 97011-08016-00  | BOLT                              | 1   |              |
| 7        | 92990-08100-00  | WASHER                            | 1   |              |
| 8        | 92990-08600-00  | WASHER, PLATE                     | 1   |              |
| 9        | 97313-06055-00  | BOLT, HEXAGON (97322-06055)       | 3   |              |
| 10       | 92995-06100-00  | WASHER, SPRING                    | 3   |              |
| 11       | 90201-06643-00  | WASHER, PLATE                     | 3   |              |
| 12       | J51-82136-00-00 | PLATE, BATT FITTING               | 1   |              |
| 13       | J51-8213E-00-00 | PLATE, BATTERY                    | 1   |              |
| 14       | J51-82158-00-00 | BRACKET, BATTERY 2                | 1   |              |
| 15       | J51-82133-00-00 | SCREW, FITTING                    | 2   |              |
| 16       | J51-8213A-00-00 | SCREW, FITTING 2                  | 5   |              |
| 17       | 90201-06067-00  | WASHER, PLATE                     | 7   |              |
| 18       | 95701-06500-00  | NUT, FLANGE                       | 7   |              |
| 19       | J51-82121-00-00 | PAD, BATTERY                      | 2   |              |
| 20       | J51-82126-00-00 | PAD, BATTERY                      | 1   |              |
| 21       | J51-H2127-00-00 | WIRE, LEAD 2                      | 5   |              |
| 22       | J51-87196-00-00 | TUBE 1                            | 2   |              |
| 23       | J51-H2115-00-00 | WIRE, PLUS LEAD                   | 1   |              |
| 24       | J51-H2116-00-00 | WIRE, MINUS LEAD                  | 1   |              |
| 25       | J51-H2117-00-00 | WIRE, LEAD                        | 1   |              |
| 26       | J51-82590-00-00 | WIRE HARNESS ASSEMBLY             | 1   |              |
| 27       | J50-82510-00-00 | MAIN SWITCH ASSEMBLY              | 1   |              |
| 28       | J41-82550-01-00 | ENGINE STOP SWITCH ASSEMBLY       | 1   |              |

CONTINUED ON NEXT FRAME ➤

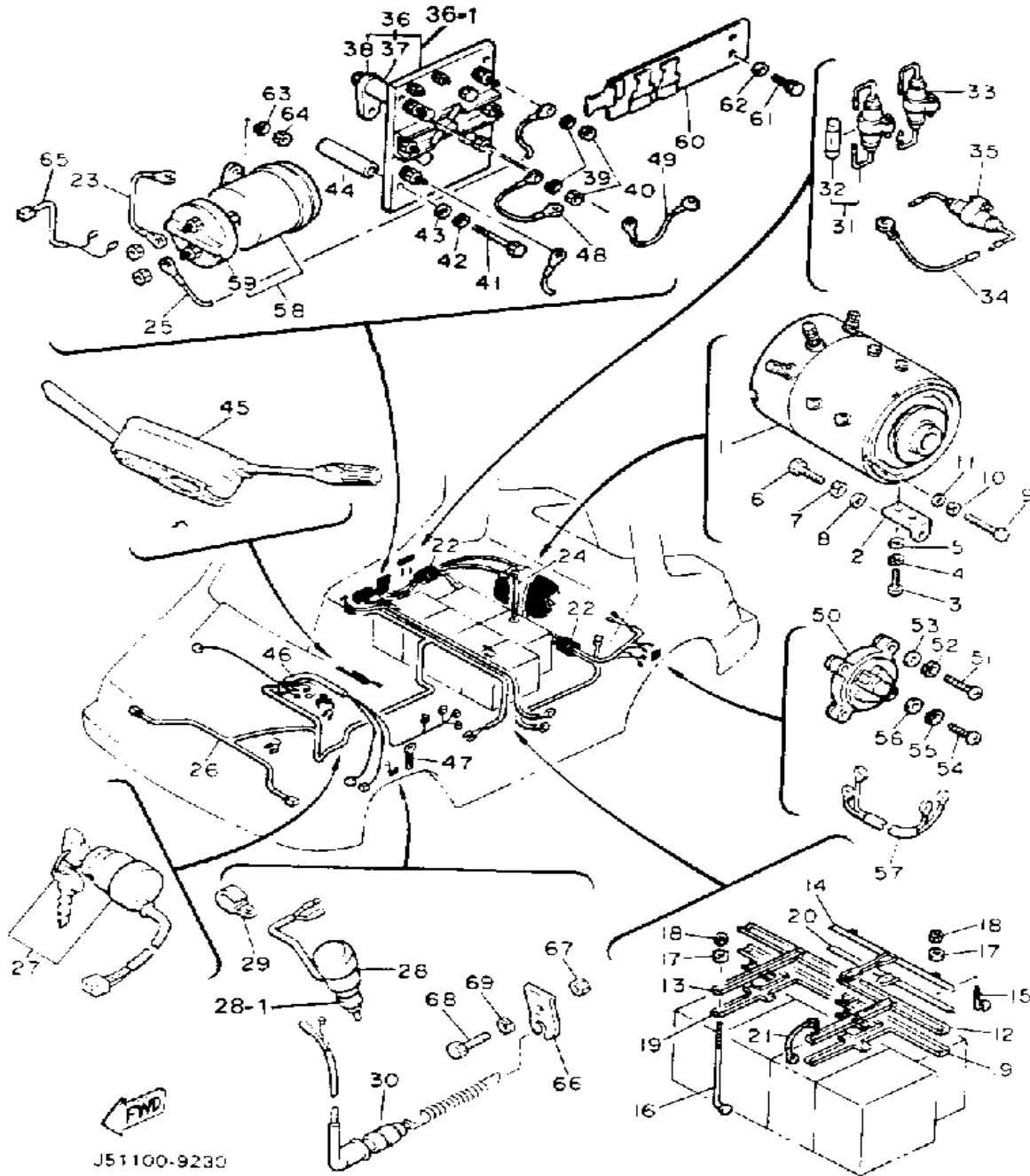
# ELECTRICAL 1



| Ref. No. | Part Number     | Description                 | Qty | Remarks |
|----------|-----------------|-----------------------------|-----|---------|
| 29       | 90465-06038-00  | CLAMP                       | 1   |         |
| 30       | J50-82530-01-00 | STOP SWITCH ASSEMBLY        | 1   |         |
| 31       | 1E6-82150-00-00 | FUSE HOLDER ASSEMBLY        | 1   |         |
| 32       | 1E6-82151-00-00 | . FUSE (10A)                | 2   |         |
| 33       | J42-82150-50-00 | FUSE HOLDER ASSEMBLY        | 1   |         |
| 34       | J42-82318-00-00 | WIRE, SUB-LEAD              | 1   |         |
| 35       | J42-82150-50-00 | FUSE HOLDER ASSEMBLY        | 1   |         |
| 36       | J51-82917-00-00 | SWITCH                      | 1   |         |
| 37       | 90380-10010-00  | . BUSH, SOLID               | 2   |         |
| 38       | J41-82617-00-00 | . SWITCH                    | 1   |         |
| 39       | 92995-06100-00  | WASHER, SPRING              | 4   |         |
| 40       | 95380-06600-00  | NUT                         | 4   |         |
| 41       | 97313-06055-00  | BOLT, HEXAGON (97322-06055) | 3   |         |
| 42       | 92995-06100-00  | WASHER, SPRING              | 3   |         |
| 43       | 92990-06600-00  | WASHER, PLATE               | 3   |         |
| 44       | 90387-065V0-00  | COLLAR                      | 3   |         |
| 45       | J42-83975-00-00 | SWITCH, HANDLE 2            | 1   |         |
| 46       | J51-82580-00-00 | WIRE HARNESS ASSEMBLY 2     | 1   |         |
| 47       | 25G-83936-01-00 | BAND, SWITCH CORD           | 1   |         |
| 48       | J51-H2521-00-00 | WIRE, LEAD                  | 1   |         |
| 49       | J51-H2531-00-00 | WIRE, LEAD                  | 1   |         |
| 50       | JF3-86181-00-00 | RECEPTACLE                  | 1   |         |
| 51       | 98506-05035-00  | SCREW, PAN HEAD             | 2   |         |
| 52       | 92906-05100-00  | WASHER, SPRING              | 2   |         |
| 53       | 92906-05600-00  | WASHER, PLATE               | 2   |         |
| 54       | 98586-05016-00  | SCREW, PAN HEAD             | 2   |         |
| 55       | 92906-05100-00  | WASHER, SPRING              | 2   |         |
| 56       | 92906-05600-00  | WASHER, PLATE               | 2   |         |
| 57       | J51-82105-00-00 | WIRE HARNESS                | 1   |         |

CONTINUED ON NEXT FRAME ►

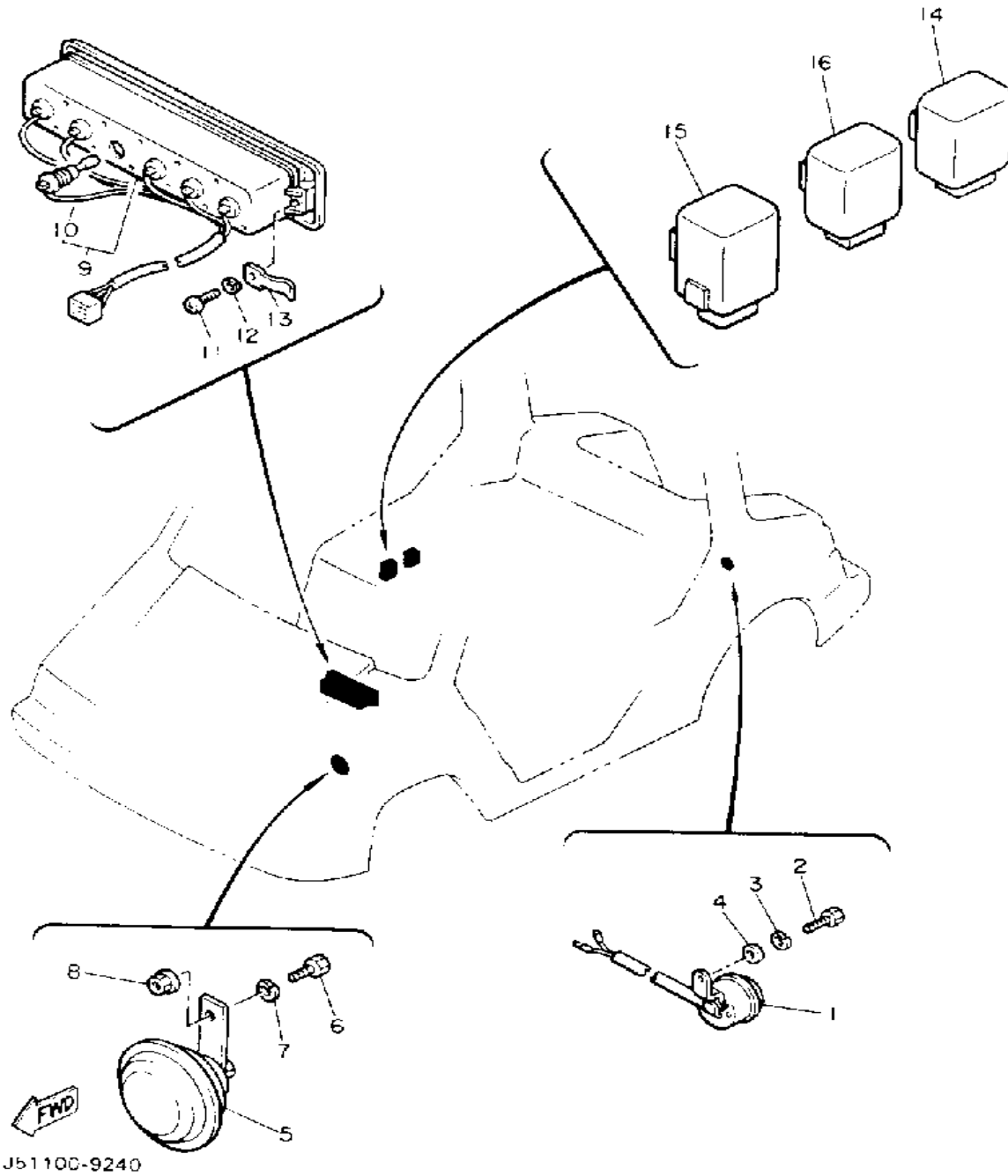
# ELECTRICAL 1



J51100-9230

| Ref. No. | Part Number     | Description                                  | Qty | Remarks |
|----------|-----------------|--|-----|---------|
| 58       | J41-81950-00-00 | RELAY ASSEMBLY. ....                         | 1   |         |
| 59       | J41-81920-09-00 | . G2A/E SLND RBLDKIT .....                   | 1   |         |
| 60       | J51-83352-00-00 | BRKT, FLSHR RELAY 1 .....                    | 1   |         |
| 61       | 97011-06016-00  | BOLT .....                                   | 2   |         |
| 62       | 92990-06600-00  | WASHER, PLATE .....                          | 2   |         |
| 63       | 92990-08100-00  | WASHER .....                                 | 2   |         |
| 64       | 95303-08700-00  | NUT .....                                    | 2   |         |
| 65       | J51-82509-00-00 | WIRE, SUB LEAD .....                         | 1   |         |
| 66       | J13-25656-00-00 | BRKT, STOP LT SWCHSTOP<br>LIGHT SWITCH ..... | 1   |         |
| 67       | 95380-06600-00  | NUT .....                                    | 1   |         |
| 68       | 97011-06016-00  | BOLT .....                                   | 1   |         |
| 69       | 92995-06100-00  | WASHER, SPRING .....                         | 1   |         |
| 28-1     | JF2-82532-00-00 | . CAP, RUBBER .....                          | 1   |         |
| 36-1     | J51-82817-00-00 | . SWITCH .....                               | 1   |         |

## ELECTRICAL 2



| Ref. No. | Part Number     | Description                | Qty | Remarks |
|----------|-----------------|----------------------------|-----|---------|
| 1        | J10-83383-02-00 | BUZZER .....               | 1   |         |
| 2        | 97011-06016-00  | BOLT .....                 | 1   |         |
| 3        | 92995-06100-00  | WASHER, SPRING .....       | 1   |         |
| 4        | 92990-06600-00  | WASHER, PLATE .....        | 1   |         |
| 5        | 2KR-83371-00-00 | HORN .....                 | 1   |         |
| 6        | 97013-06012-00  | BOLT .....                 | 1   |         |
| 7        | 92995-06100-00  | WASHER, SPRING .....       | 1   |         |
| 8        | 95702-06600-00  | NUT, FLANGE .....          | 1   |         |
| 9        | J46-83530-00-00 | PILOT LIGHT ASSEMBLY ..... | 1   |         |
| 10       | J51-83509-00-00 | . SOCKET CORD ASSEMBLY .   | 1   |         |
| 11       | 98580-04010-00  | SCREW, PAN HEAD .....      | 2   |         |
| 12       | 92901-04100-00  | WASHER, SPRING .....       | 2   |         |
| 13       | J50-83514-00-00 | PLATE, FITTING .....       | 2   |         |
| 14       | 50V-83350-20-00 | FLASHER RELAY ASSEMBLY .   | 1   |         |
| 15       | J42-85590-01-00 | CONTROL UNIT ASSEMBLY ..   | 1   |         |
| 16       | J46-82120-00-00 | SENDER, BATTERY .....      | 1   |         |

J51100-9240