



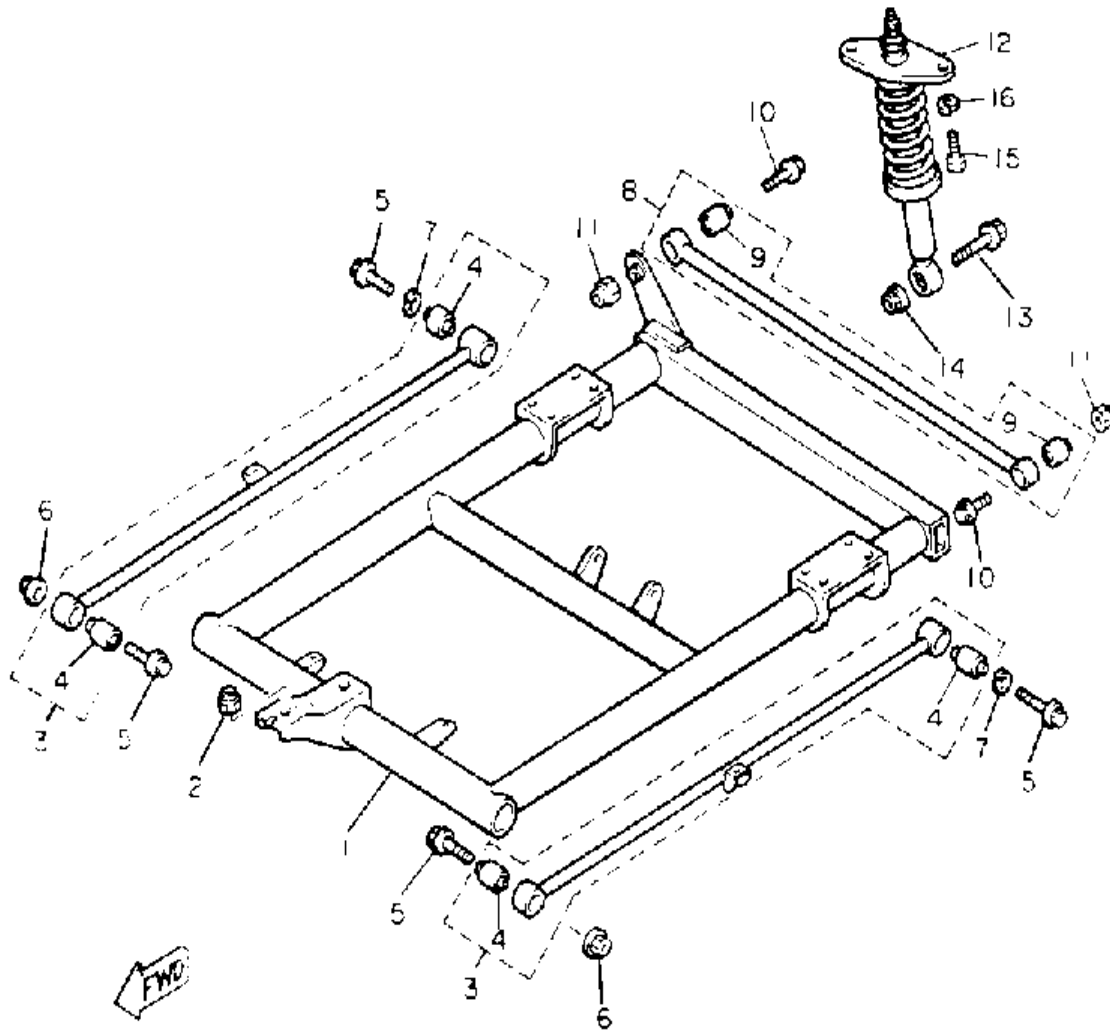
YAMAHA

GENUINE

PARTS CATALOGUE

GOLF CAR

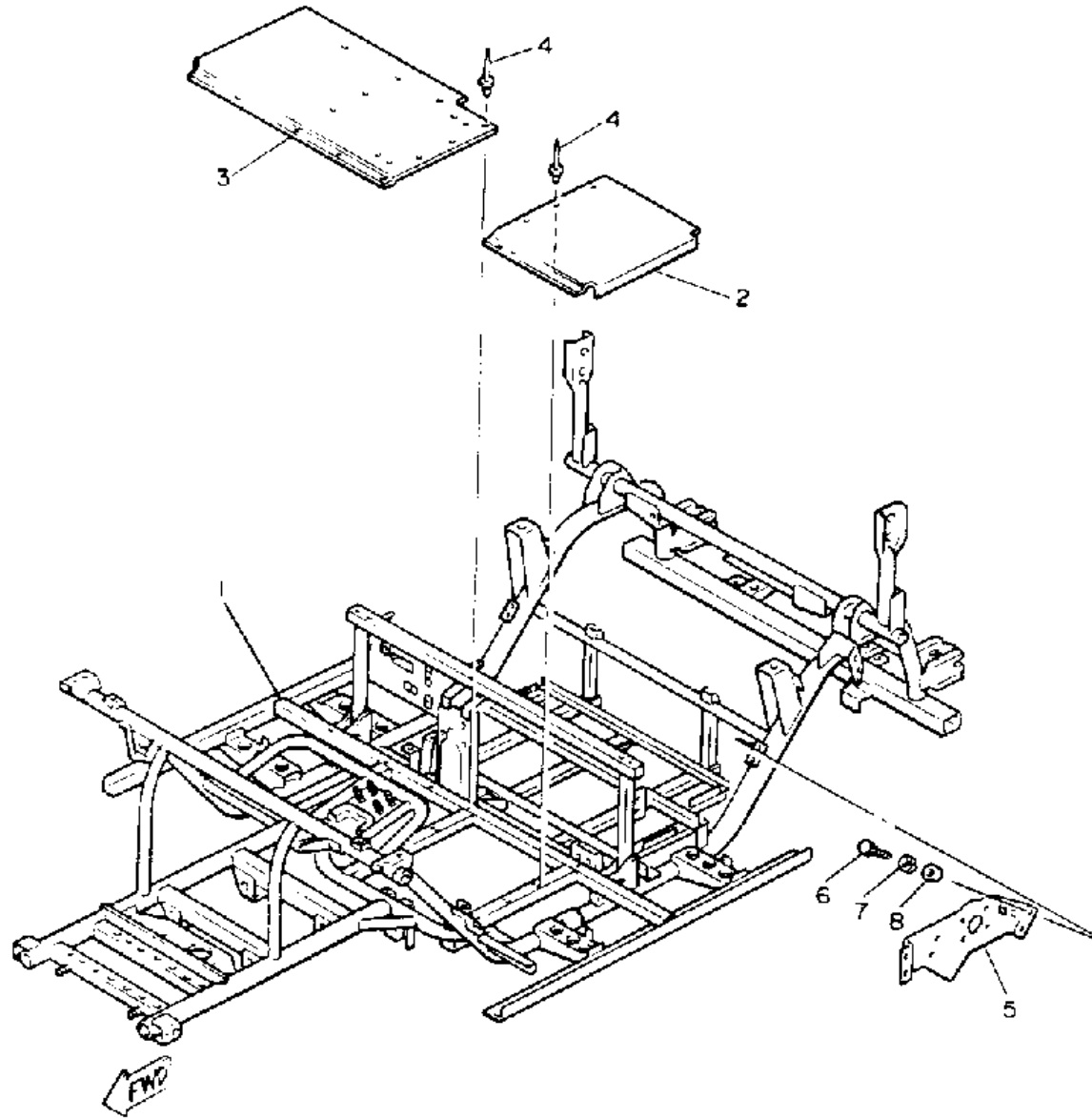
REAR SHOCKS



J51100-9010

Ref. No.	Part Number	Description	Qty	Remarks
1	J51-F2110-00-00	REAR ARM COMP.	1	
2	90185-10115-00	NUT, SELF-LOCKING	2	
3	J50-22171-00-00	ARM, REAR 1	2	
4	J50-22124-00-00	. BUSH 2	2	
5	95812-12065-00	BOLT, FLANGE	4	
6	90185-12072-00	NUT, SELF-LOCKING	2	
7	92901-12100-00	WASHER, SPRING	2	
8	J50-22172-00-00	ARM, REAR 2	1	
9	J50-22124-00-00	. BUSH 2	2	
10	95812-12065-00	BOLT, FLANGE	2	
11	90185-12072-00	NUT, SELF-LOCKING	2	
12	J51-F2201-00-00	DAMPER SUB ASSEMBLY, RR	2	
13	95812-12055-00	BOLT, FLANGE	2	
14	90185-12072-00	NUT, SELF-LOCKING	2	
15	97011-08016-00	BOLT	4	
16	92990-08100-00	WASHER	4	

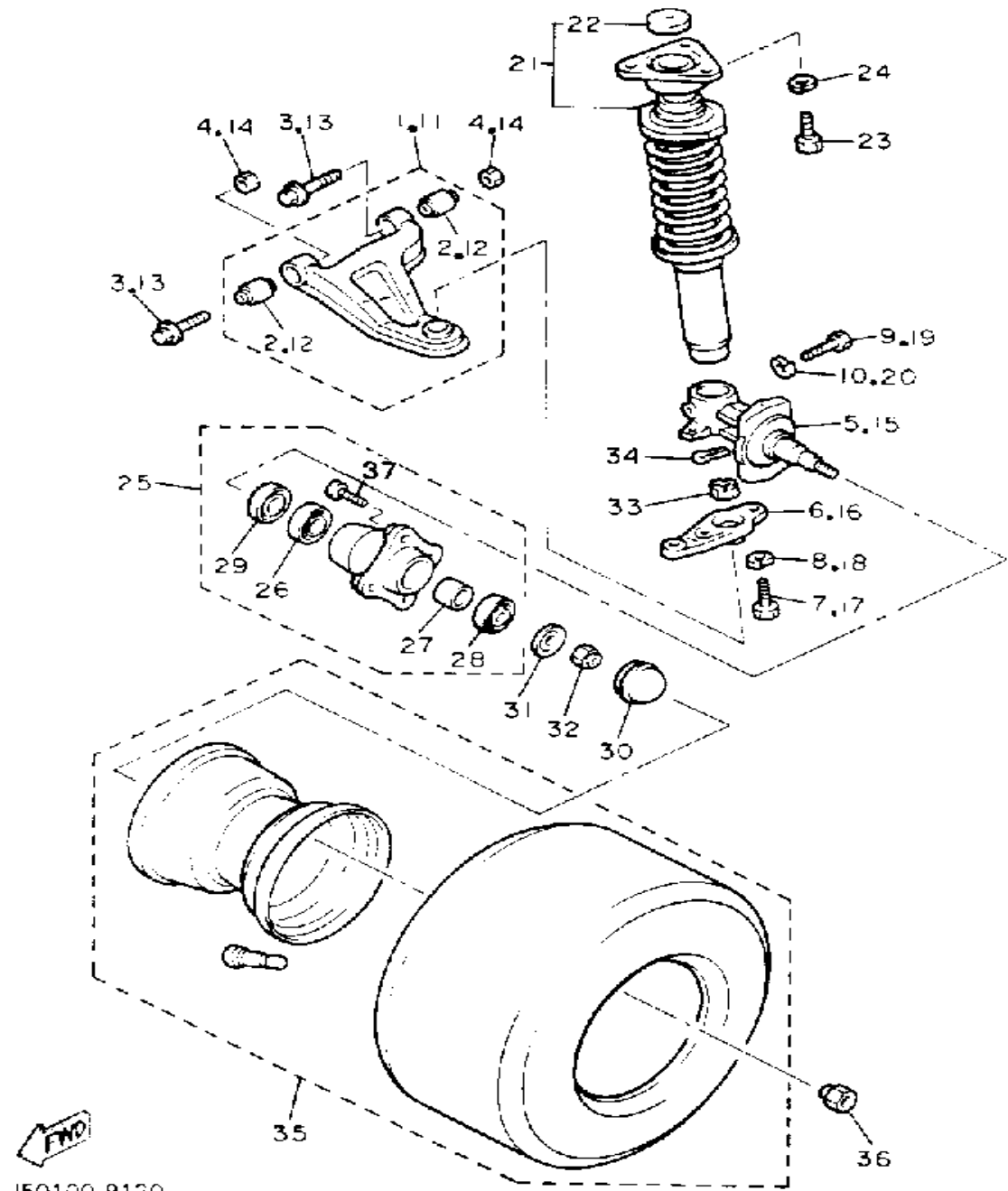
FRAME



J51100-9020

Ref. No.	Part Number	Description	Qty	Remarks
1	J51-F2501-00-00	FRAME COMP	1	
2	J50-22571-00-00	PANEL 1	1	
3	J50-22572-00-00	PANEL 2	1	
4	90267-40054-00	RIVET, BLIND	16	
5	J51-2252K-00-00	STAY, SHIFT	1	
6	97011-08016-00	BOLT	4	
7	92990-08100-00	WASHER	4	
8	92990-08600-00	WASHER, PLATE	4	

FRONT SUSPENSION-WHEEL

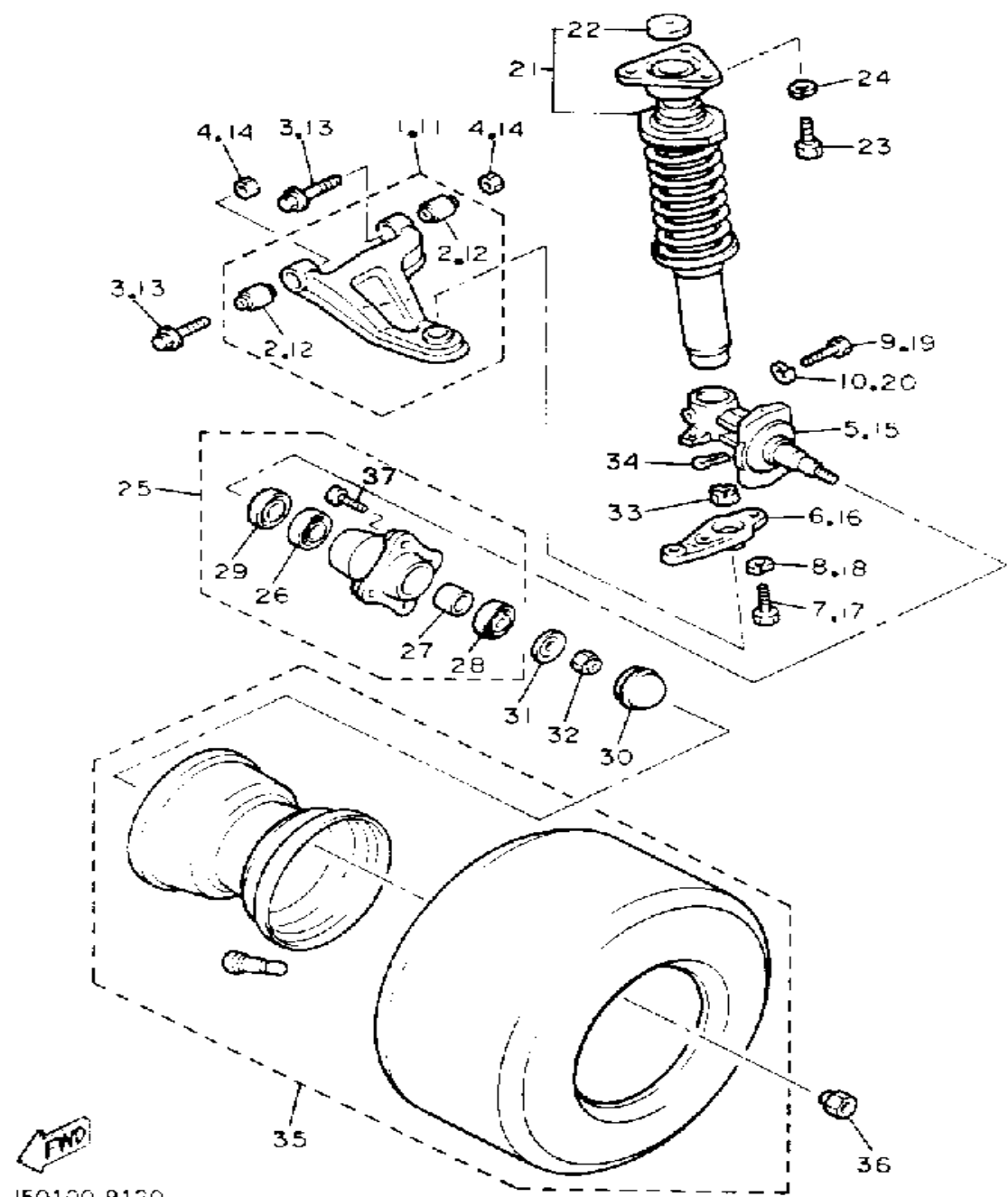


J50100-9120

Ref. No.	Part Number	Description	Qty	Remarks
1	J50-23507-00-00	FRT.LW.ARM SUB-ASSEMBLY (L.H)	1	
2	J38-23526-00-00	. BUSH	2	
3	95811-10070-00	BOLT, flange (95812-10070-00)	2	
4	90185-10115-00	NUT, SELF-LOCKING	2	
5	J51-23511-00-00	KNUCKLE, STEERING 1	1	
6	J50-23512-00-00	ARM, KNUCKLE 1	1	
7	90101-12687-00	BOLT	2	
8	92990-12100-00	WASHER, SPRING	2	
9	97022-08040-00	BOLT (83L)	1	
10	92990-08100-00	WASHER	1	
11	J50-23508-00-00	FRT.LW.ARM SUB-ASSEMBLY (R.H)	1	
12	J38-23526-00-00	. BUSH	2	
13	95811-10070-00	BOLT, flange (95812-10070-00)	2	
14	90185-10115-00	NUT, SELF-LOCKING	2	
15	J51-23511-00-00	KNUCKLE, STEERING 1	1	
16	J50-23522-00-00	ARM, KNUCKLE 2	1	
17	90101-12687-00	BOLT	2	
18	92990-12100-00	WASHER, SPRING	2	
19	97022-08040-00	BOLT (83L)	1	
20	92990-08100-00	WASHER	1	
21	J51-F330E-00-00	DAMPER ASSEMBLY, FRONT	2	
22	J50-23384-00-00	. COVER, DUST SEAL 2	1	
23	97090-08020-00	BOLT	6	
24	92990-08100-00	WASHER	6	
25	J50-F5110-00-00	HUB ASSEMBLY, FRONT	2	
26	93306-20567-00	. BEARING	1	

CONTINUED ON NEXT FRAME ►

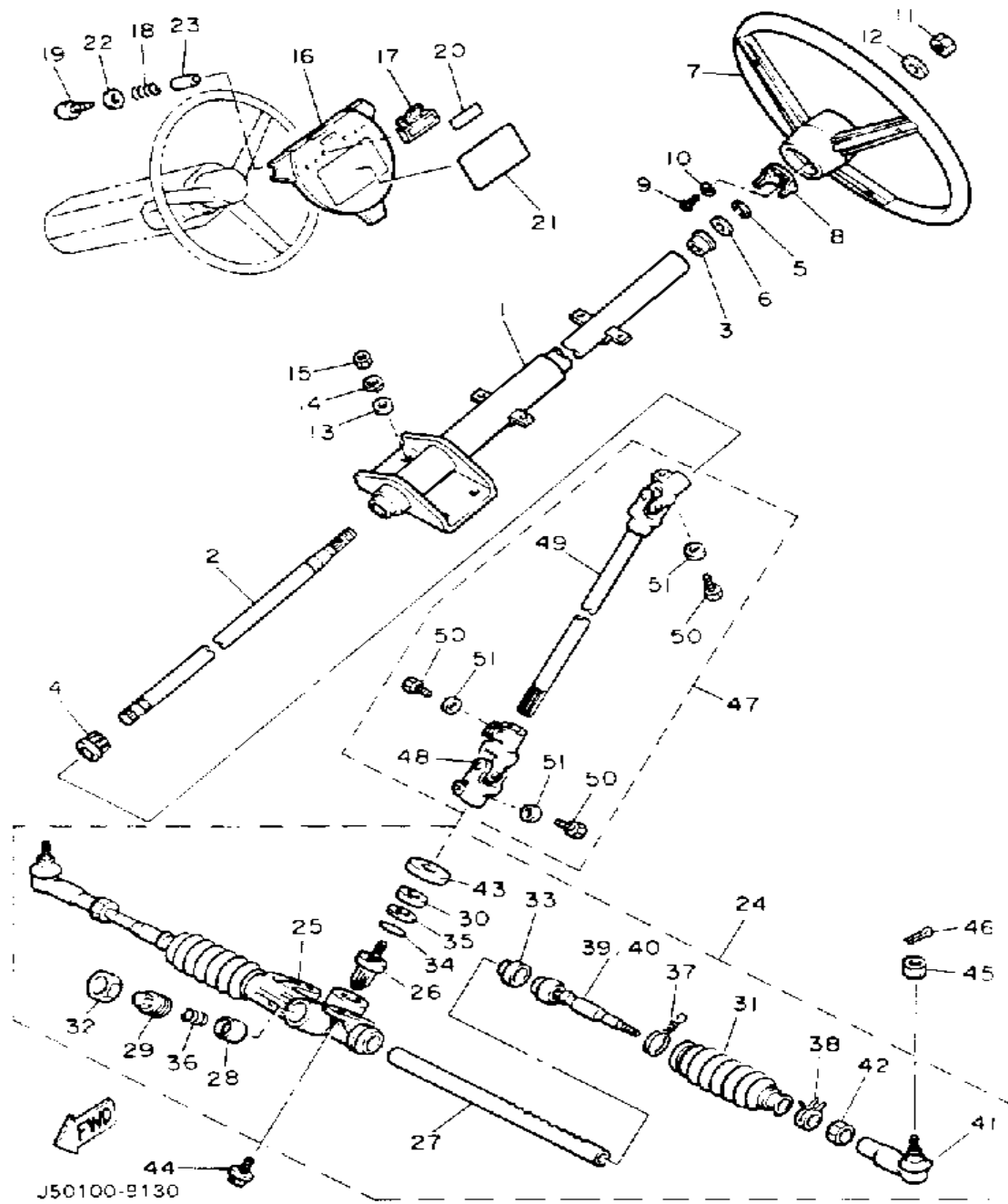
FRONT SUSPENSION-WHEEL



J50100-9120

Ref. No.	Part Number	Description	Qty	Remarks
27	J50-25183-00-00	. COLLAR, WHEEL	1	
28	93306-00507-00	. BEARING (B6005)	1	
29	93102-35412-00	. OIL SEAL	1	
30	J17-25118-00-00	COVER, HUB DUST	2	
31	90209-32271-00	WASHER	2	
32	95601-14100-00	NUT, U (95602-14100-00)	2	
33	90171-10004-00	NUT, CASTLE	2	
34	91401-25030-00	PIN, COTTER	2	
35	*---	FRONT WHEEL ASSEMBLY	2	SEE NOTE
36	90179-12262-00	NUT	8	
37	90114-12003-00	BOLT, RIBBED NECK	8	

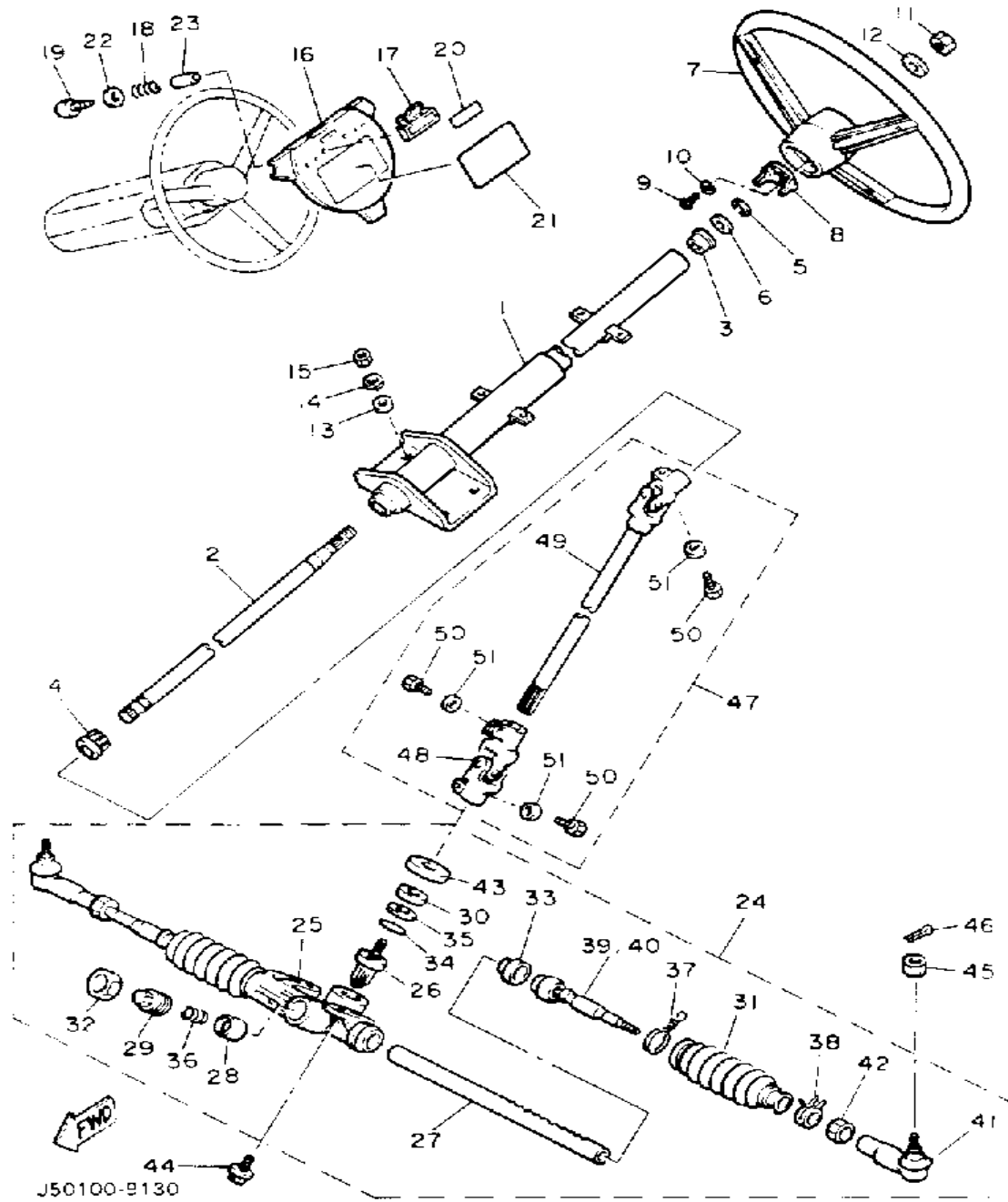
STEERING



Ref. No.	Part Number	Description	Qty	Remarks
1	J50-23811-00-00	COLUMN, STEERING	1	
2	J50-23828-00-00	ROD, STEERING	1	
3	J50-23814-00-00	HOLDER, HANDLE UPR	1	
4	J50-23857-00-00	WASHER, LOCK	1	
5	99009-16400-00	CIRCLIP	1	
6	90201-16245-00	WASHER, PLATE	1	
7	J50-F3838-00-00	WHEEL, STEERING	1	J42-23838-00
8	J42-23839-00-00	PIN, CANCEL	1	
9	98580-04008-00	SCREW, PAN HEAD	3	
10	92901-04100-00	WASHER, SPRING	3	
11	90185-12119-00	NUT, SELF-LOCKING	1	
12	92990-12200-00	WASHER, PLAIN	1	
13	92990-08200-00	WASHER, PLAIN	4	
14	92990-08100-00	WASHER	4	
15	95380-08600-00	NUT	4	
16	J50-K8357-00-00	HOLDER 1	1	
17	J50-K8358-00-00	HOLDER 2	1	
18	90502-10013-00	SPRING, CONICAL	2	
19	97706-40525-00	SCREW, TAPPING	2	
20	J51-77763-00-00	LABEL, WARNING 3	1	
21	J50-77762-00-00	LABEL, WARNING 2	1	
22	90201-044A2-00	WASHER, PLATE	2	
23	90387-046N7-00	COLLAR	2	
24	J50-23400-00-00	STEERING ASSEMBLY	1	
25	J50-2388A-00-00	. HOUSING, STRG.GEAR (J50-23824-00)	1	
26	J50-2387A-00-00	. PINION KIT	1	
27	J50-2387E-00-00	. GEAR, RACK	1	
28	J50-2387F-00-00	. PAD, PRESSURE	1	

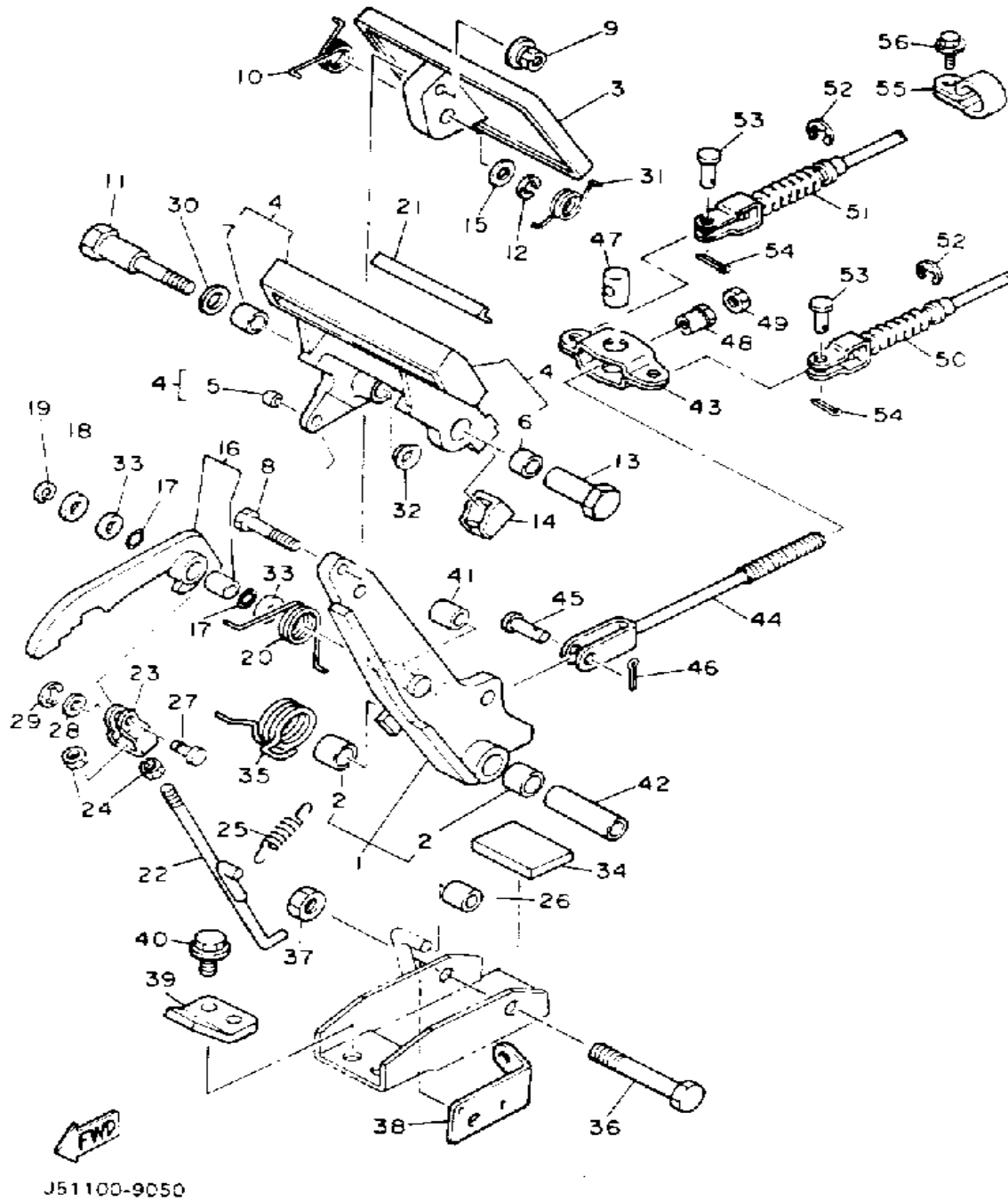
CONTINUED ON NEXT FRAME ►

STEERING



Ref. No.	Part Number	Description	Qty	Remarks
29	J50-2387G-00-00	. COVER, ADJUST	1	
30	J50-23844-00-00	. SEAL	1	
31	J50-2384M-00-00	. BOOT	2	
32	J50-23834-00-00	. NUT 2	1	
33	J50-23894-00-00	. WASHER, LOCK 1	1	
34	J50-2387H-00-00	. RING, SNAP	1	
35	J50-2387J-00-00	. RING, STOPPER	1	
36	J50-2387K-00-00	. SPRING, PRESSURE	1	
37	J50-23447-00-00	. CLIP	2	
38	J50-2384N-00-00	. CLIP, RING	2	
39	J50-23831-00-00	. ROD, TIE	1	
40	J50-23837-00-00	. ROD, TIE 2	1	
41	J50-23841-00-00	. UNAVAILABLE IN PRICE BOOK	2	
42	J50-23833-00-00	. NUT 1	2	
43	J50-2384L-00-00	. COVER, DUST	1	
44	95822-10025-00	BOLT, FLANGE	2	
45	90171-10004-00	NUT, CASTLE	2	
46	91402-25028-00	PIN, COTTER	2	
47	J50-23822-00-00	JOINT 1	1	
48	J50-23832-00-00	. JOINT 3	1	
49	J50-23823-00-00	. JOINT 2	1	
50	J50-23876-00-00	. BOLT	3	
51	J50-23427-00-00	. WASHER	3	

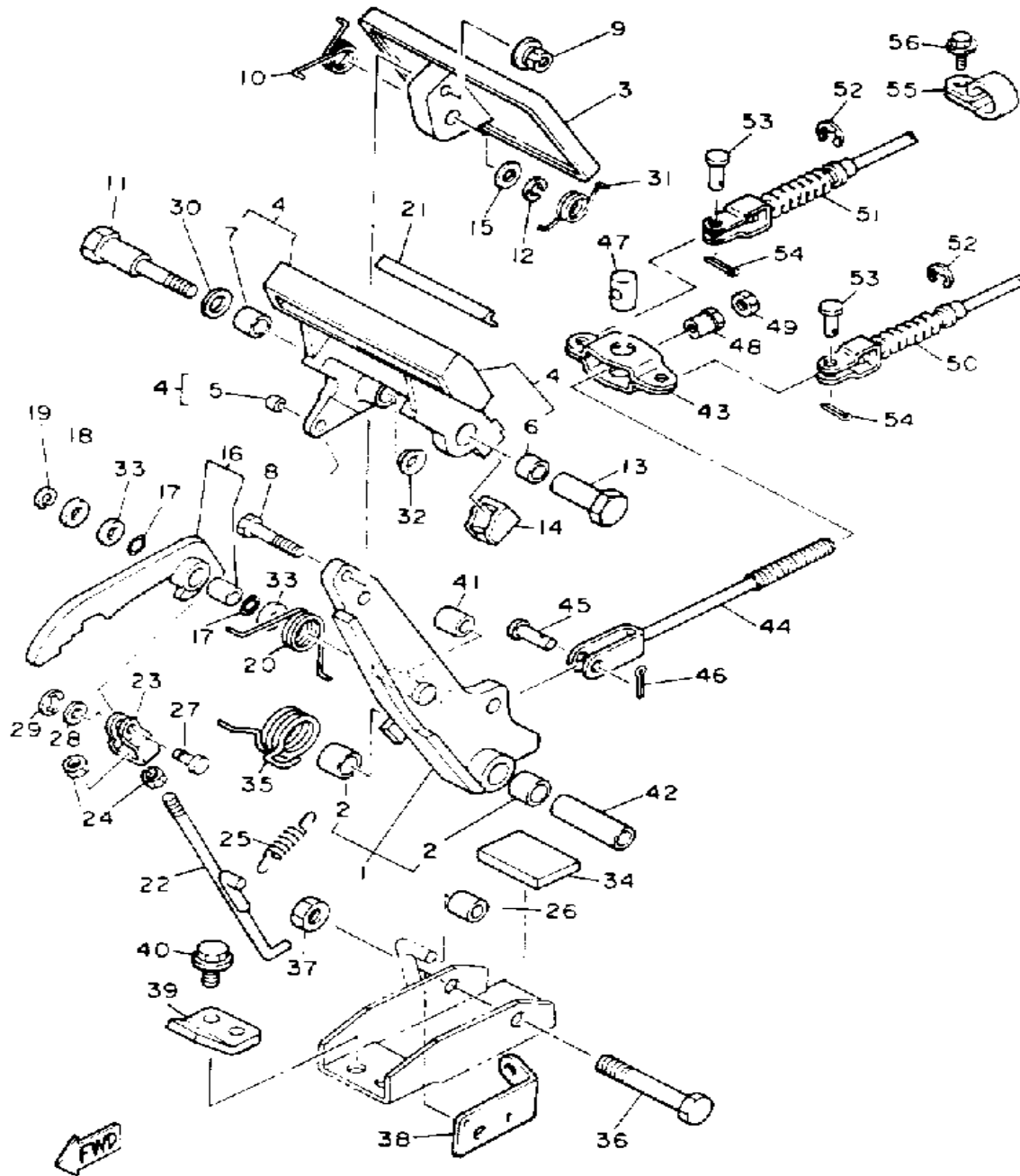
BRAKE



Ref. No.	Part Number	Description	Qty	Remarks
1	J46-27250-01-00	BRAKE ARM CMLPT	1	
2	90384-14080-00	. BUSH, BIMETAL	2	
3	J10-27211-00-00	PEDAL, BRAKE	1	
4	J17-25670-01-00	PARKING PEDAL COMP.	1	
5	90384-05163-00	. BUSH, BIMETAL	1	
6	90384-12164-00	. BUSH, BIMETAL	1	
7	90380-12051-00	. BUSH, SOLID	1	
8	90101-06555-00	BOLT, HEX.	1	
9	90179-07564-00	NUT	1	
10	90508-23542-00	SPRING, TORSION	1	
11	90109-08669-00	BOLT	1	
12	92990-08100-00	WASHER	1	
13	90179-08378-00	NUT	1	
14	J17-25679-01-00	DAMPER	2	
15	92990-08200-00	WASHER, PLAIN	1	
16	J17-W2561-00-00	SECTOR, PARKING BRAKE	1	
17	J17-27221-00-00	SEAL, SHAFT	2	
18	92990-10600-00	WASHER, PLATE	1	
19	99080-07600-00	CIRCLIP (E)	1	
20	90508-14548-00	SPRING, TORSION	1	
21	J17-25672-01-00	PAD, PARKING	1	
22	J17-27231-02-00	ROD, BRAKE	1	
23	J17-27232-00-00	END, ROD	1	
24	95380-06700-00	NUT	2	
25	90506-12277-00	SPRING, TENSION	1	
26	J17-25673-00-00	DAMPER, BRAKE	1	
27	J17-27228-00-00	PIN, LINK JOINT	1	
28	92901-05600-00	WASHER, PLATE	1	
29	99080-04600-00	CIRCLIP (E)	1	

CONTINUED ON NEXT FRAME ►

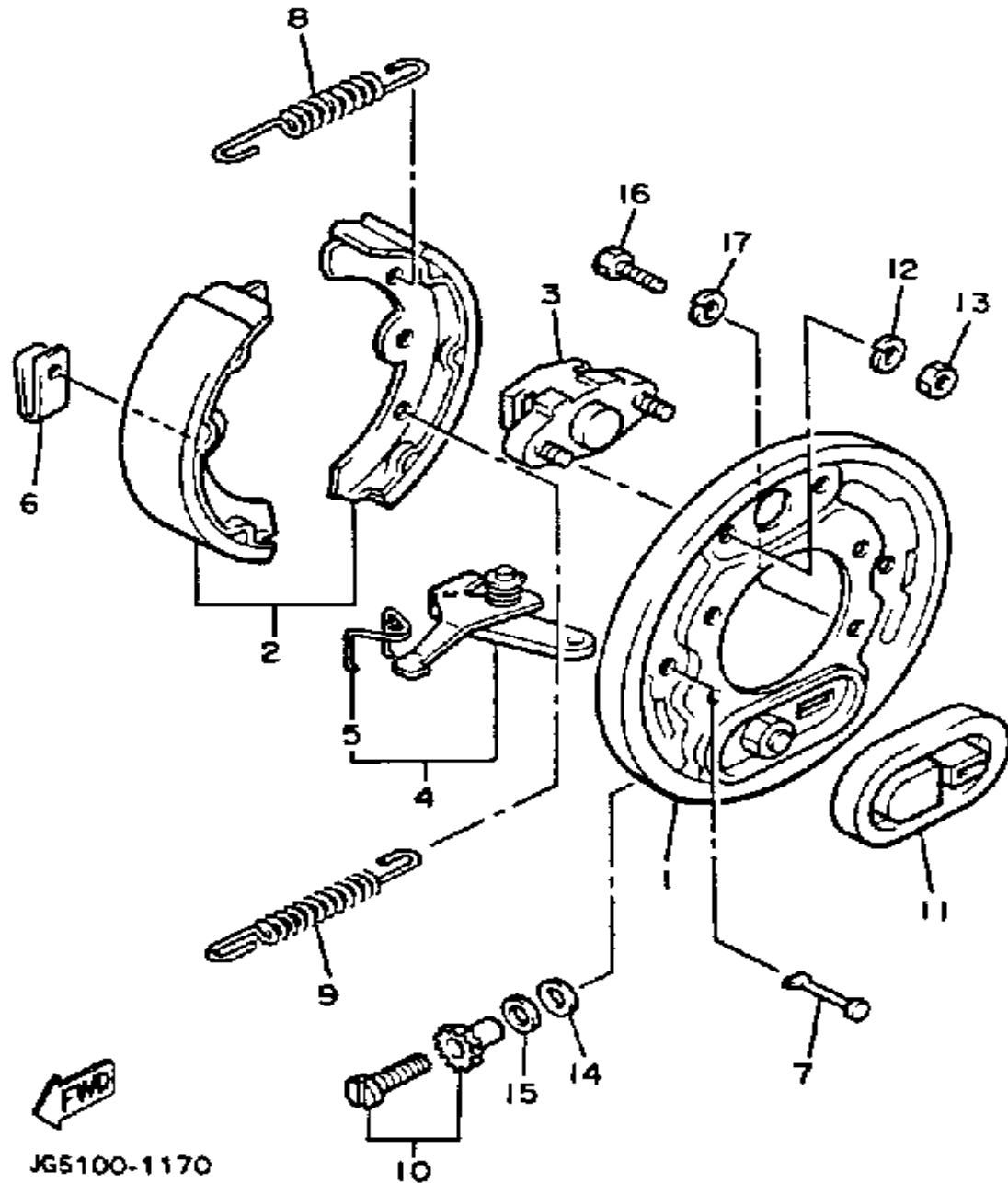
BRAKE



J51100-9050

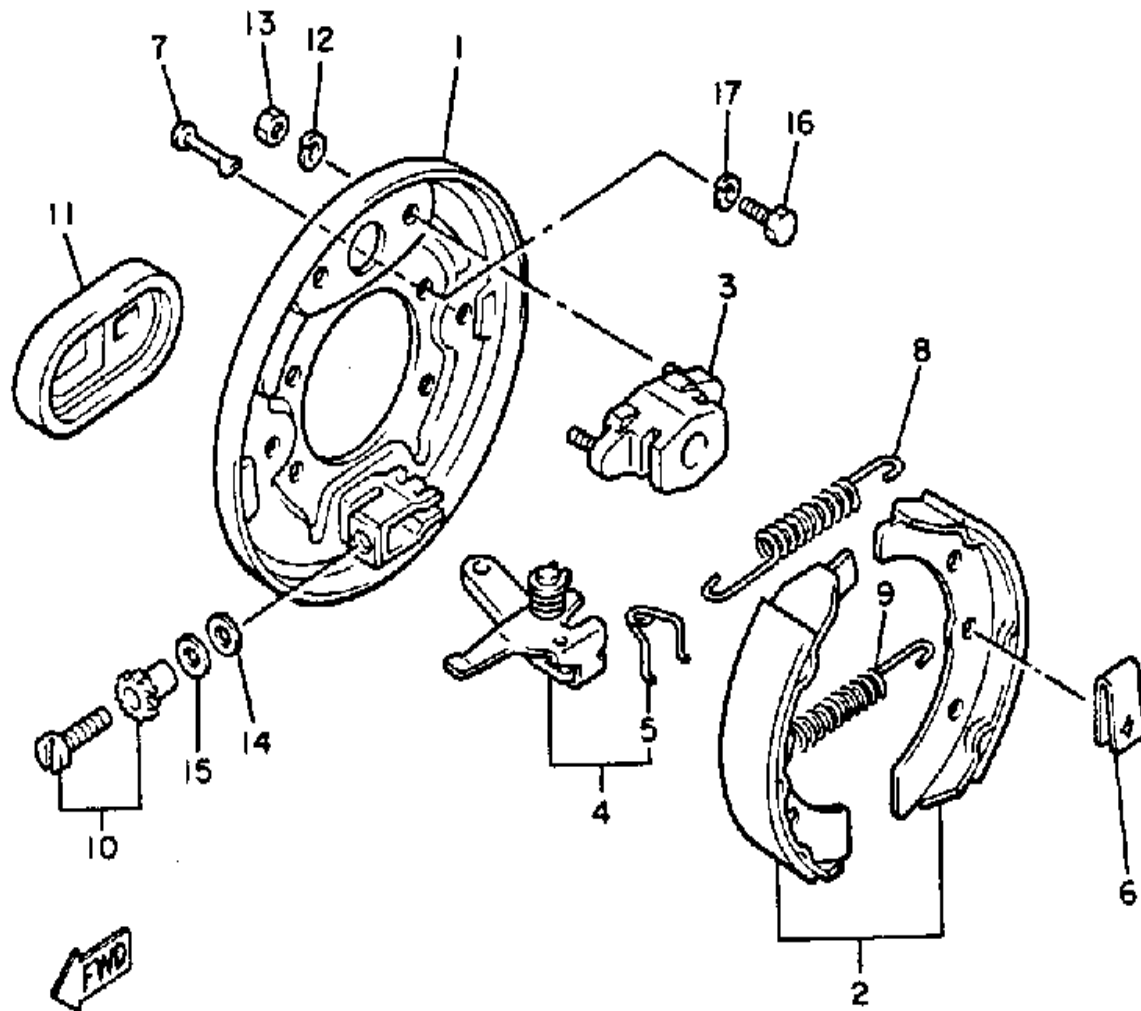
Ref. No.	Part Number	Description	Qty	Remarks
30	90201-123F2-00	WASHER, PLAIN	1	
31	90508-26557-00	SPRING, TORSION	1	
32	90380-12105-00	BUSH, SOLID	1	
33	90201-104G8-00	WASHER, PLAIN	2	
34	J17-27245-00-00	PAD, BRAKE PEDAL	1	
35	90508-40543-00	SPRING, TORSION	1	
36	90101-10447-00	BOLT, HEX.	1	
37	95601-10100-00	NUT, U (95602-10100-00)	1	
38	J55-2252M-00-00	BRACKET,	1	
39	J17-27246-00-00	NAIL, BRAKE	1	
40	(97502-08420-00)	BOLT, W/WASHER	2	
41	J17-25673-00-00	DAMPER, BRAKE	1	
42	90387-107F8-00	COLLAR	1	
43	J10-25681-00-00	EQUALIZER, BRAKE	1	
44	J50-25685-00-00	ROD	1	
45	91701-10022-00	PIN	1	
46	91490-30020-00	PIN, COTTER	1	
47	90249-14129-00	PIN	1	
48	90179-08261-00	NUT	1	
49	95303-08700-00	NUT	1	
50	J50-F6341-00-00	CABLE, BRAKE	1	
51	J50-F6351-00-00	CABLE, BRAKE	1	
52	99001-09600-00	CIRCLIP	4	
53	91701-08018-00	PIN	4	
54	91490-25020-00	PIN, COTTER	4	
55	90461-12117-00	CLAMP	4	
56	95811-06012-00	BOLT, FLANGE	4	

BRAKE 2



Ref. No.	Part Number	Description	Qty	Remarks
1	J17-27208-00-00	BACKING PLATE SUB ASSEMBLY 1 (R.H)	1	
2	J55-W2536-00-00	BRAKE SHOE SET	1	
3	J17-27206-00-00	ANCHOR BODY COMP.	1	
4	J38-27204-00-00	LEVER ASSEMBLY 1	1	
5	J55-25358-00-00	. SPRING LEVER	1	
6	J10-27281-00-00	SPRING, SHOE CLAMP	2	
7	J10-27282-00-00	PIN, SHOE HOLD DOWN	2	
8	90506-20281-00	SPRING, TENSION	1	
9	90506-26191-00	SPRING, TENSION	1	
10	J55-27270-00-00	ADJUSTER ASSEMBLY	1	
11	J10-27286-00-00	COVER, DUST	1	
12	92995-06100-00	WASHER, SPRING	2	
13	95380-06600-00	NUT	2	
14	90201-121H8-00	WASHER, PLATE	1	
15	90201-121H9-00	WASHER, PLATE	1	
16	97011-08016-00	BOLT	4	
17	92902-08100-00	WASHER, SPRING	4	

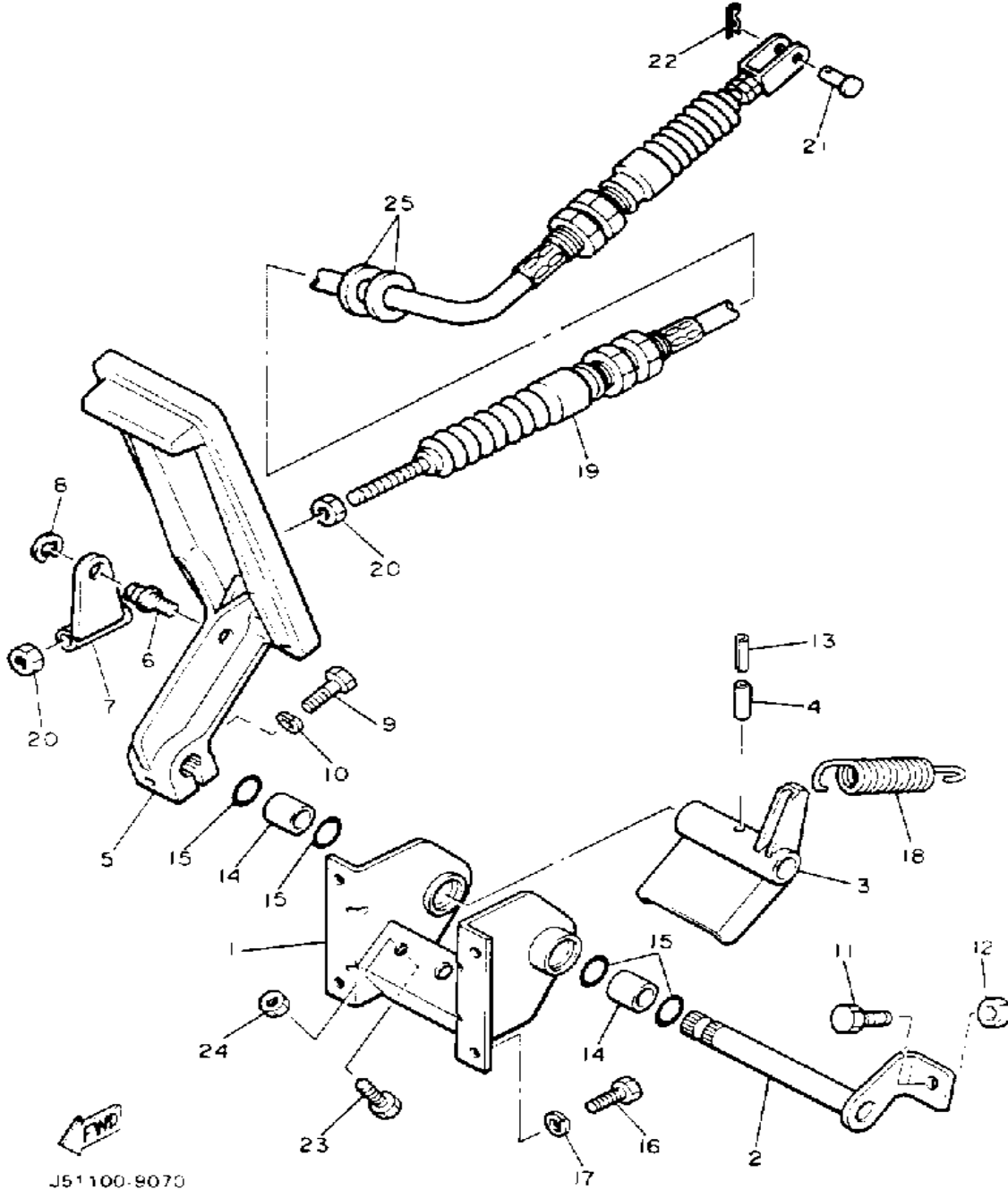
BRAKE 3



JG5100-1160

Ref. No.	Part Number	Description	Qty	Remarks
1	J17-27209-00-00	BACKING PLATE SUB ASSEMBLY 2 (L.H)	1	
2	J55-W2536-00-00	BRAKE SHOE SET	1	
3	J17-27206-00-00	ANCHOR BODY COMP.	1	
4	J38-27205-00-00	LEVER ASSEMBLY 2	1	
5	J55-25357-00-00	. SPRING, LEVER	1	
6	J10-27281-00-00	SPRING, SHOE CLAMP	2	
7	J10-27282-00-00	PIN, SHOE HOLD DOWN	2	
8	90506-20281-00	SPRING, TENSION	1	
9	90506-26191-00	SPRING, TENSION	1	
10	J55-27260-00-00	ADJUSTER ASSEMBLY	1	
11	J10-27286-00-00	COVER, DUST	1	
12	92995-06100-00	WASHER, SPRING	2	
13	95380-06600-00	NUT	2	
14	90201-121H8-00	WASHER, PLATE	1	
15	90201-121H9-00	WASHER, PLATE	1	
16	97011-08016-00	BOLT	4	
17	92902-08100-00	WASHER, SPRING	4	

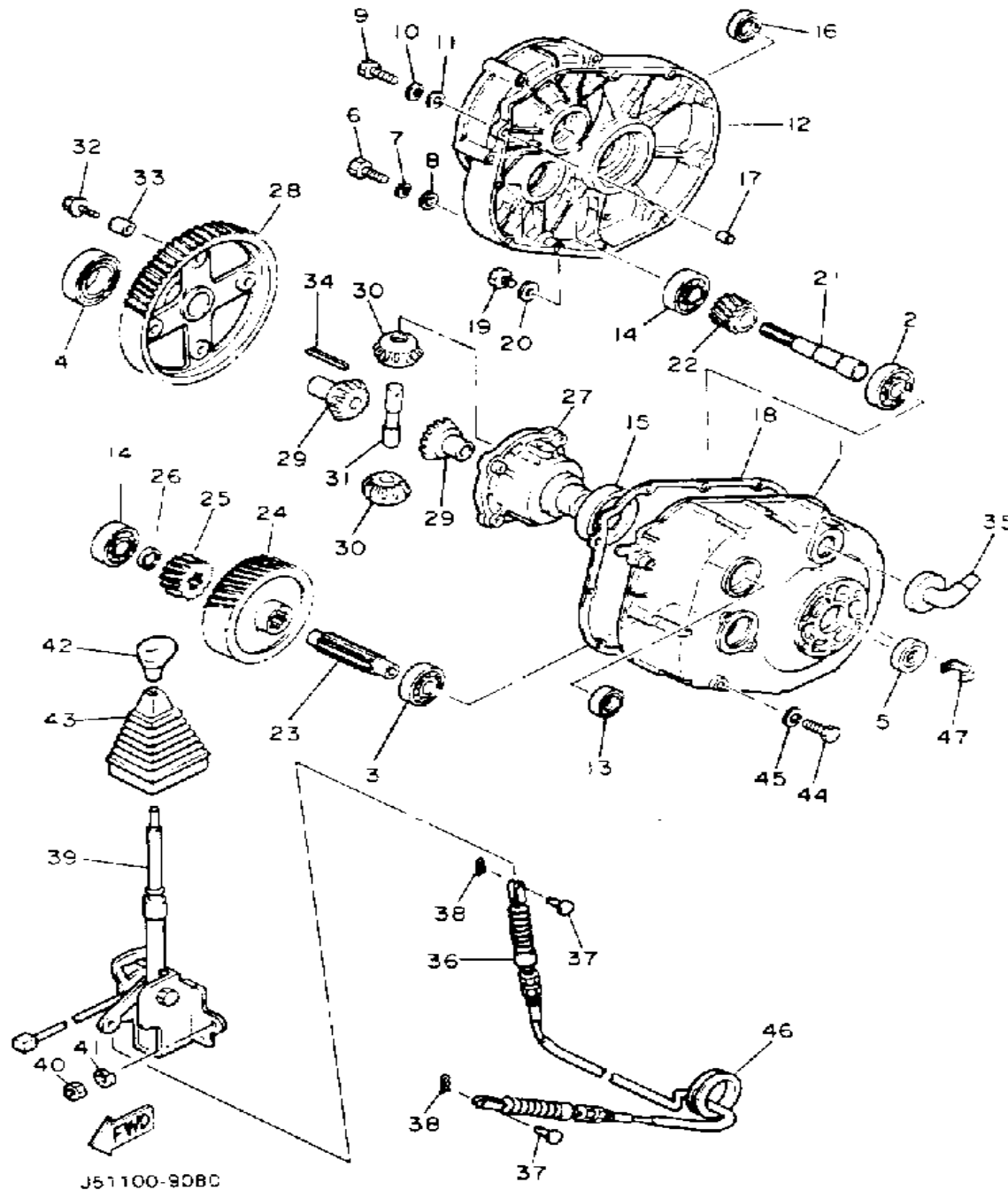
ACCELERATOR



Ref. No.	Part Number	Description	Qty	Remarks
1	J41-27874-00-00	BRACKET, ACCELERATOR		
		PEDAL	1	
2	J17-27853-00-00	SHAFT, PEDAL 1	1	
3	J22-27872-00-00	ARM, ACCELERATOR	1	
4	91609-60028-00	PIN, SPRING	1	
5	JF3-27871-00-00	PEDAL, ACCELERATOR	1	
6	J51-27813-00-00	PIN, PEDAL CRK	1	
7	J51-27815-00-00	LEVER, CRANK PEDAL	1	
8	99080-09600-00	CIRCLIP (E) (990010960000) ..	1	
9	97011-06025-00	BOLT (97001-06025)	1	
10	92995-06100-00	WASHER, SPRING	1	
11	90106-08040-00	BOLT, RD. HEX	1	
12	95303-08700-00	NUT	1	
13	91609-35028-00	PIN, SPRING	1	
14	90384-14080-00	BUSH, BIMETAL	2	
15	93210-14104-00	O-RING	4	
16	97011-06016-00	BOLT	4	
17	92995-06100-00	WASHER, SPRING	4	
18	90506-29283-00	SPRING, TENSION	1	
19	J51-27875-00-00	WIRE, CONTROLLER	1	
20	95303-08700-00	NUT	2	
21	91702-06016-00	PIN, CLEVIS	1	
22	90468-10050-00	CLIP	1	
23	97011-06025-00	BOLT (97001-06025)	1	
24	95380-06700-00	NUT	1	
25	90480-44513-00	GROMMET	2	

J51100-9070

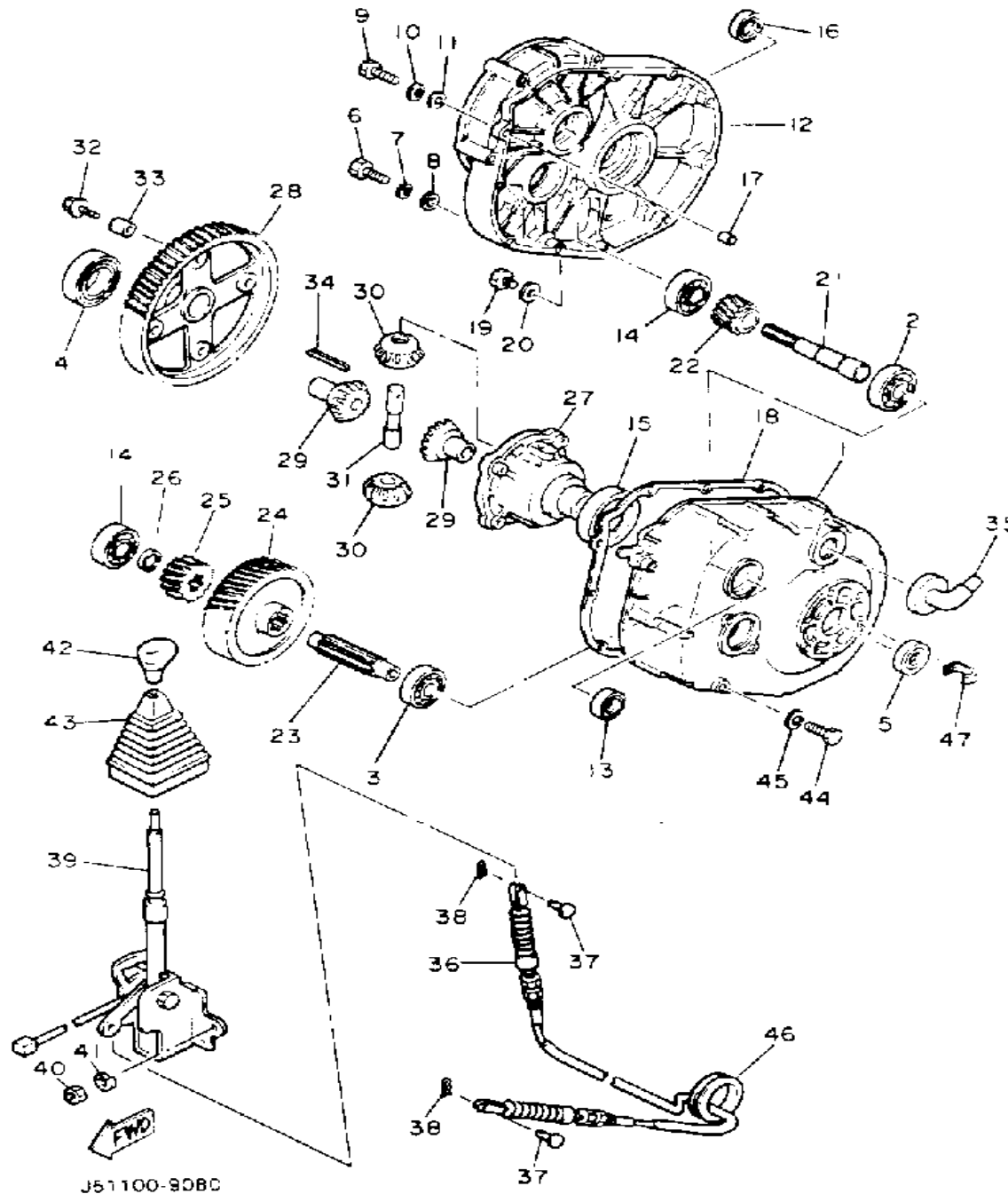
TRANSMISSION



Ref. No.	Part Number	Description	Qty	Remarks
1	J14-46311-00-00	CASE, TRANSMISSION 1	1	
2	93306-20541-00	BEARING (B6205)	1	
3	93306-20421-00	BEARING	1	
4	93306-00803-00	BEARING (B6008)	1	
5	93102-22189-00	OIL SEAL	1	
6	97021-08035-00	BOLT	9	
7	92990-08100-00	WASHER	9	
8	92901-08600-00	WASHER	9	
9	97021-08045-00	BOLT	2	
10	92990-08100-00	WASHER	2	
11	92901-08600-00	WASHER	2	
12	J14-46312-02-00	CASE, TRANSMISSION 2	1	
13	93102-20143-00	OIL SEAL	1	
14	93306-20421-00	BEARING	2	
15	93306-00803-00	BEARING (B6008)	1	
16	93102-22189-00	OIL SEAL	1	
17	99510-12016-00	PIN, DOWEL	2	
18	J10-46319-01-00	GASKET	1	
19	90340-14036-00	PLUG, STRAIGHT SCRW	2	
20	90430-14043-00	GASKET	2	
21	J14-46321-01-00	SHAFT, INPUT	1	
22	J56-46331-00-00	GEAR, INPUT 1	1	
23	J10-46351-00-00	SHAFT, COUNTER	1	
24	J56-46361-00-00	GEAR, COUNTER 1	1	
25	J17-46362-00-00	GEAR, COUNTER 2	1	
26	90201-20272-00	WASHER, PLATE	1	
27	J38-46411-01-00	CASE, DIFFERENTIAL	1	
28	J41-46421-00-00	GEAR, RING	1	
29	J38-46414-00-00	GEAR, DIFFERENTIAL SIDE	2	

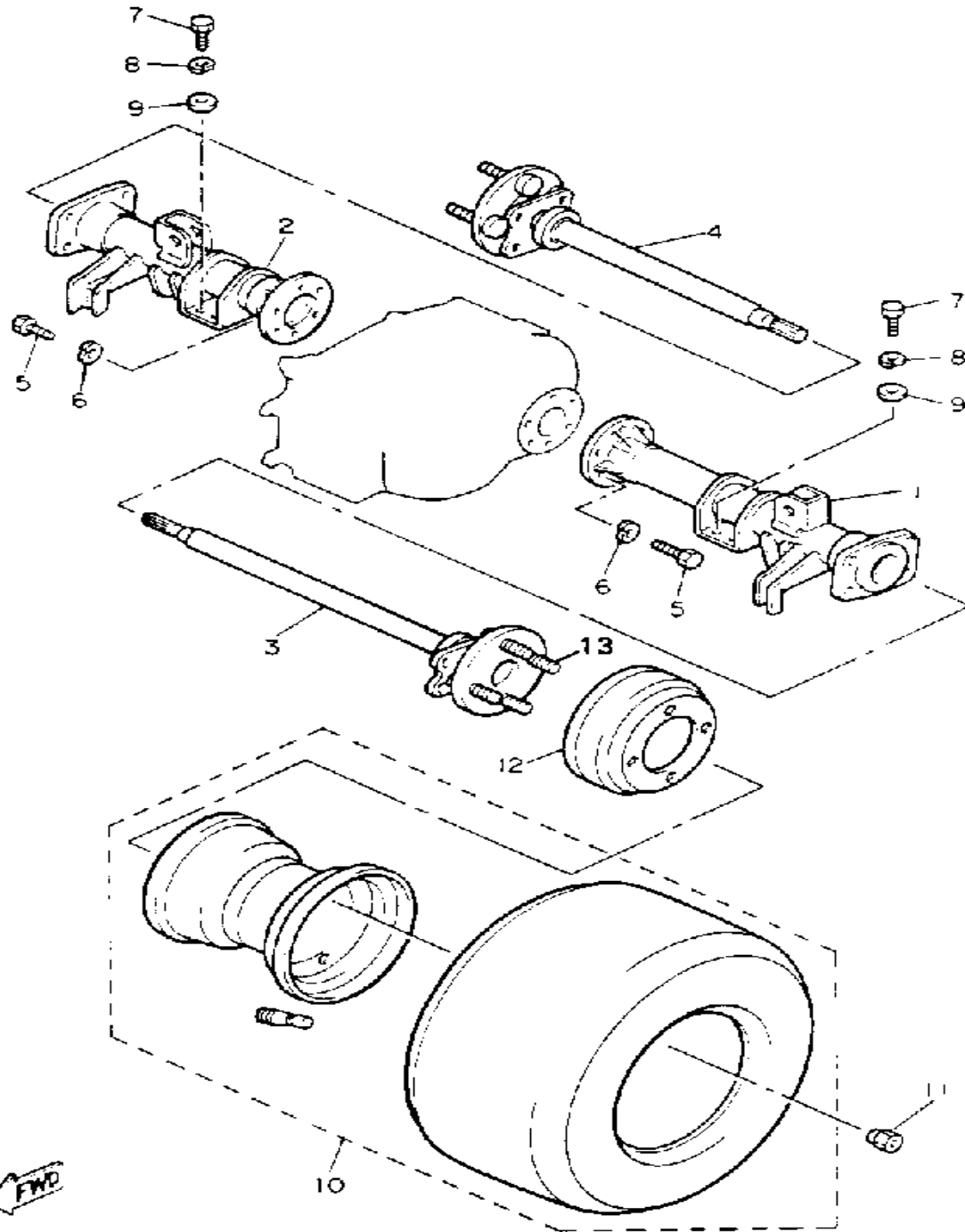
CONTINUED ON NEXT FRAME ►

TRANSMISSION



Ref. No.	Part Number	Description	Qty	Remarks
30	J38-46415-00-00	PINION, DIFFERENTIAL	2	
31	J38-46417-02-00	PIN, DIFFERENTIAL	1	
32	90105-08390-00	BOLT, WASHER BASED	4	
33	91812-16001-00	PIN, DOWEL	2	
34	91609-40040-00	PIN, SPRING	1	
35	835-47559-00-00	CAP 2	1	
36	J51-46371-00-00	WIRE, SHIFT	1	
37	91702-06016-00	PIN, CLEVIS	2	
38	90468-10050-00	CLIP	2	
39	J51-46382-00-00	LEVER, SHIFT 1	1	
40	95333-08600-00	NUT	3	
41	92990-08100-00	WASHER	3	
42	7Y6-52625-00-00	KNOB	1	
43	J50-46394-00-00	JOINT	1	
44	97011-10020-00	BOLT	2	
45	92901-10100-00	WASHER, SPRING	2	
46	90480-44513-00	GROMMET	2	
47	90465-06100-00	CLAMP	1	

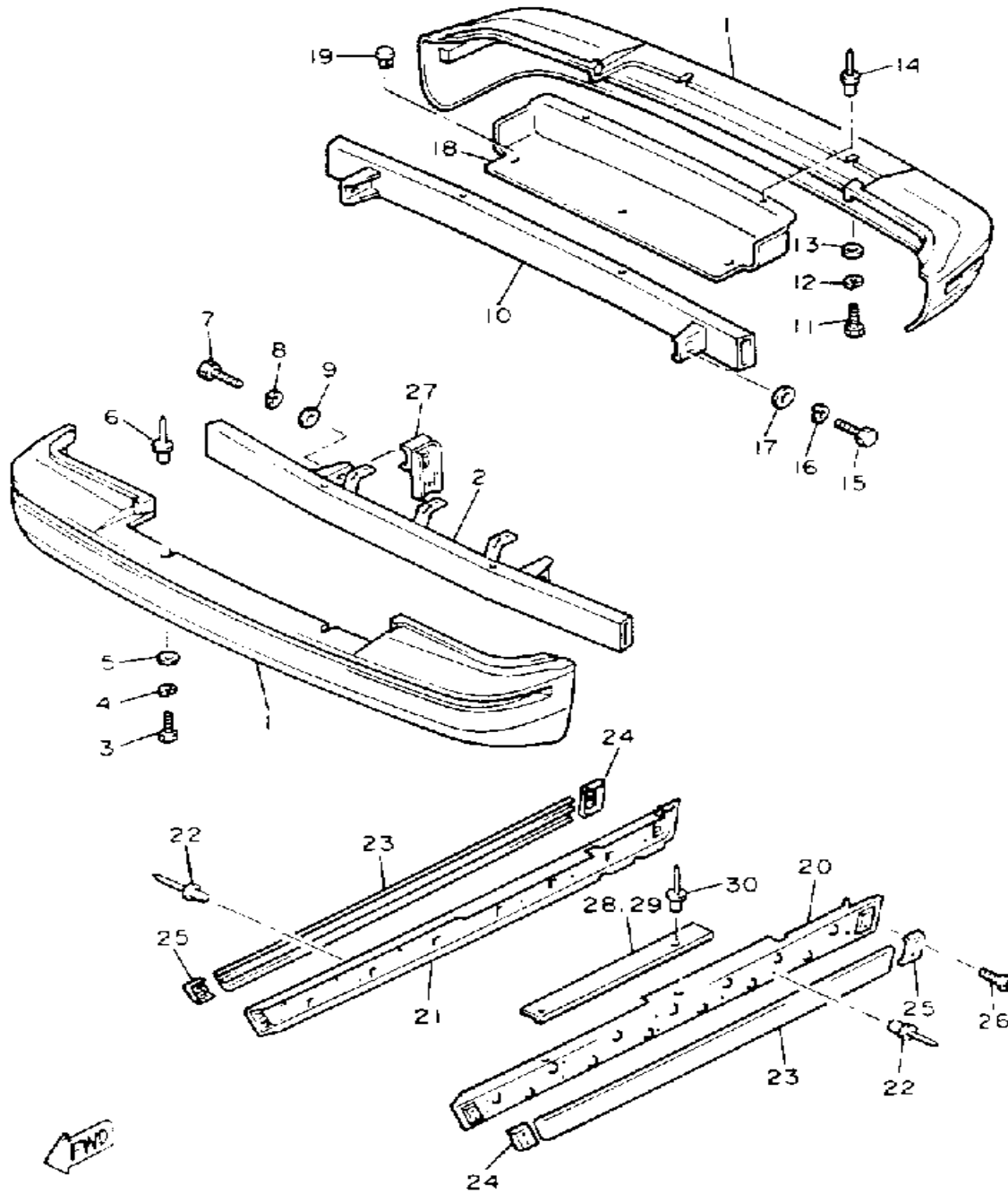
REAR AXLE-WHEEL



J51100-9090

Ref. No.	Part Number	Description	Qty	Remarks
1	J51-46540-00-00	R.AXLE HOUSING 1	1	
2	J51-46550-00-00	R.AXLE HOUSING 2COMP. 2 ..	1	
3	J51-46510-00-00	REAR AXLE SHAFT 1	1	
4	J51-46520-00-00	REAR AXLE SHAFT 2	1	
5	97312-08025-00	BOLT (97012-08025)	12	
6	92990-08100-00	WASHER	12	
7	97011-10020-00	BOLT	8	
8	92901-10100-00	WASHER, SPRING	8	
9	92990-10600-00	WASHER, PLATE	8	
10	*---	FRONT WHEEL ASSEMBLY ..	2	SEE NOTE
11	90179-12262-00	NUT	8	
12	J55-G6521-00-00	DRUM	2	
13	90114-12004-00	BOLT, RIBBED NECK	8	

BUMPER

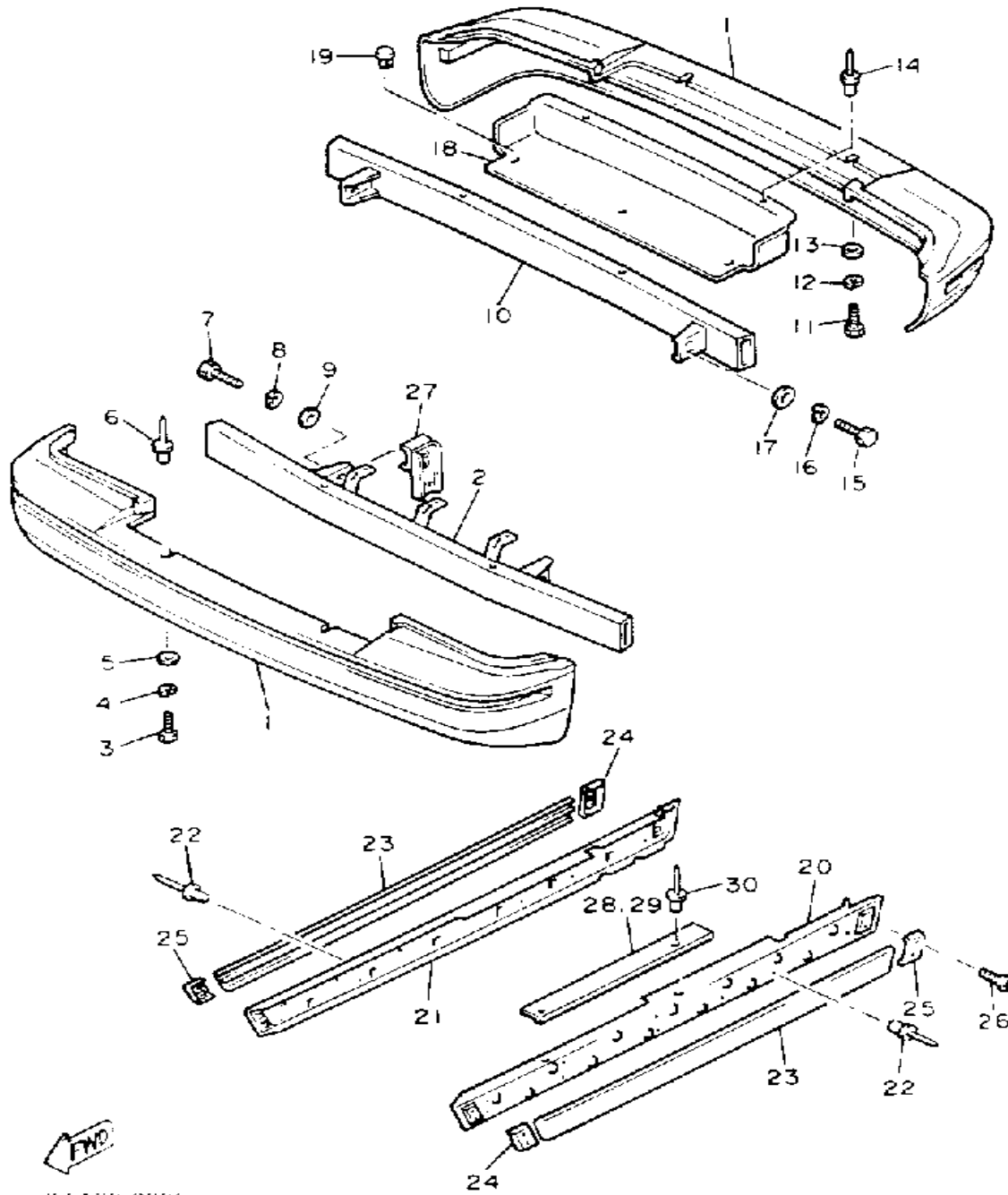


J50100-9230

Ref. No.	Part Number	Description	Qty	Remarks
1	J50-K8163-01-00	COVER, FRONT BUMPER (J50-K8163-00)	2	
2	J50-K7511-01-00	BUMPER, FRONT 1 (J50-K7511-00)	1	
3	97395-06020-00	BOLT, HEXAGON	2	
4	92995-06100-00	WASHER, SPRING	2	
5	90201-06697-00	WASHER, PLATE	2	
6	90267-47150-00	RIVET, BLIND	2	
7	97313-08020-00	BOLT, HEXAGON	8	
8	92990-08100-00	WASHER	8	
9	92990-08600-00	WASHER, PLATE	8	
10	J50-K7541-01-00	BUMPER, REAR 1 (J50-K7541-00)	1	
11	97395-06020-00	BOLT, HEXAGON	2	
12	92995-06100-00	WASHER, SPRING	2	
13	90201-06697-00	WASHER, PLATE	2	
14	90267-47150-00	RIVET, BLIND	2	
15	97313-08020-00	BOLT, HEXAGON	4	
16	92990-08100-00	WASHER	4	
17	92990-08600-00	WASHER, PLATE	4	
18	J50-K7551-00-00	PROTECTOR 1	1	
19	90267-63047-00	RIVET, BLIND	3	
20	J50-WK811-00-00	PLATE, SD.SL.KIT-LH	1	
21	J50-WK812-00-00	PLATE, SD.SL.KIT-RH	1	
22	90267-48139-00	RIVET, BLIND	16	
23	J55-K818A-00-00	PROTECTOR, SIDE PLT	2	J38-7818A-00
24	J38-7818E-00-00	CAP, PROTECT.END 1	2	
25	J38-7818F-00-00	CAP, PROTECT.END 2	2	
26	98606-06014-00	SCREW, OVAL HEAD (92606-06014)	8	

CONTINUED ON NEXT FRAME ►

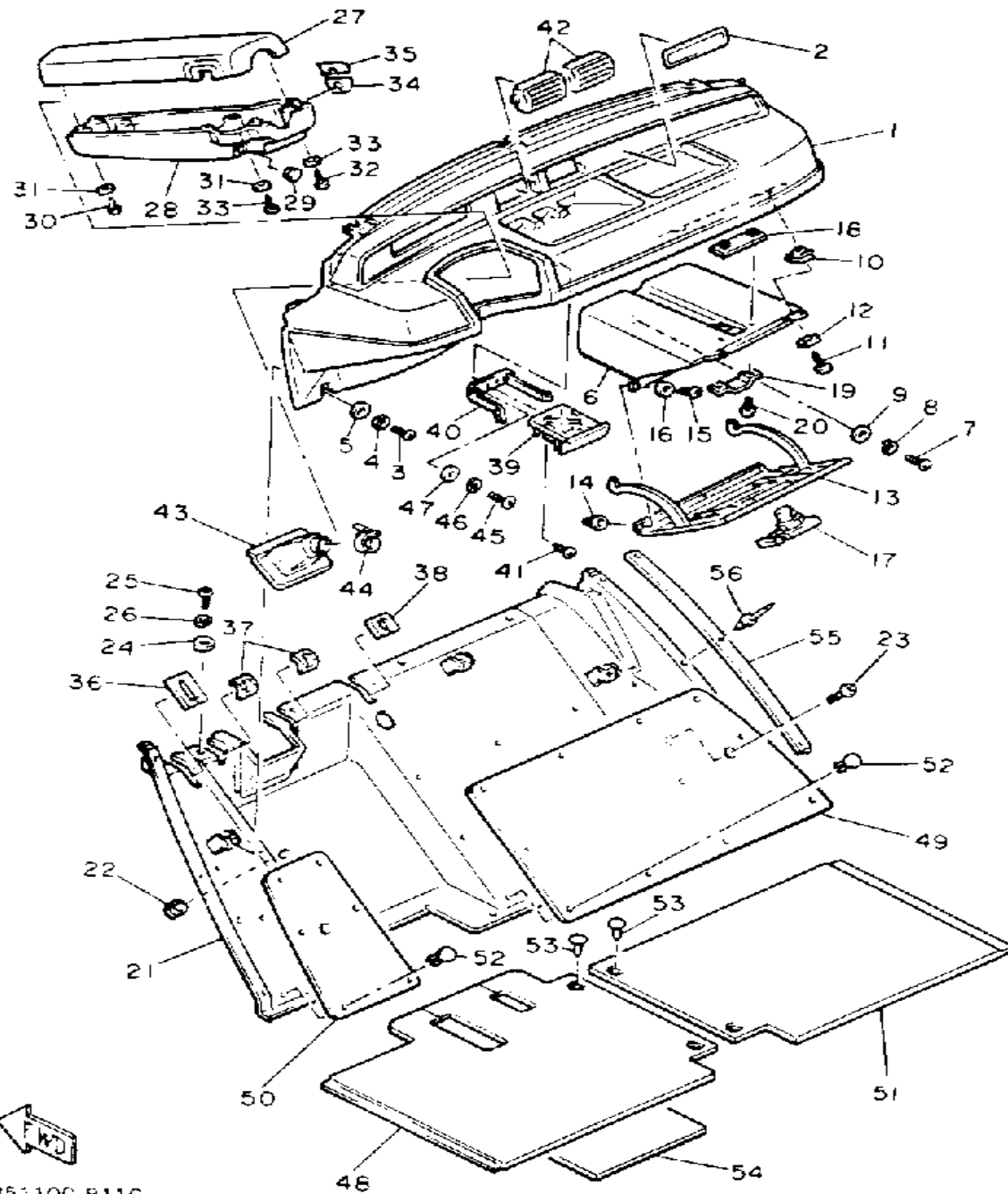
BUMPER



J50100-9230

Ref. No.	Part Number	Description	Qty	Remarks
27	J50-F251G-00-00	SUPPORT, FRT.BUMPER 2	
28	J50-78215-00-00	PLATE, SIDE TRIM 1	
29	J50-7821F-00-00	PLATE, SIDE TRIM 1	
30	90267-40054-00	RIVET, BLIND 4	

INSTRUMENT PANEL

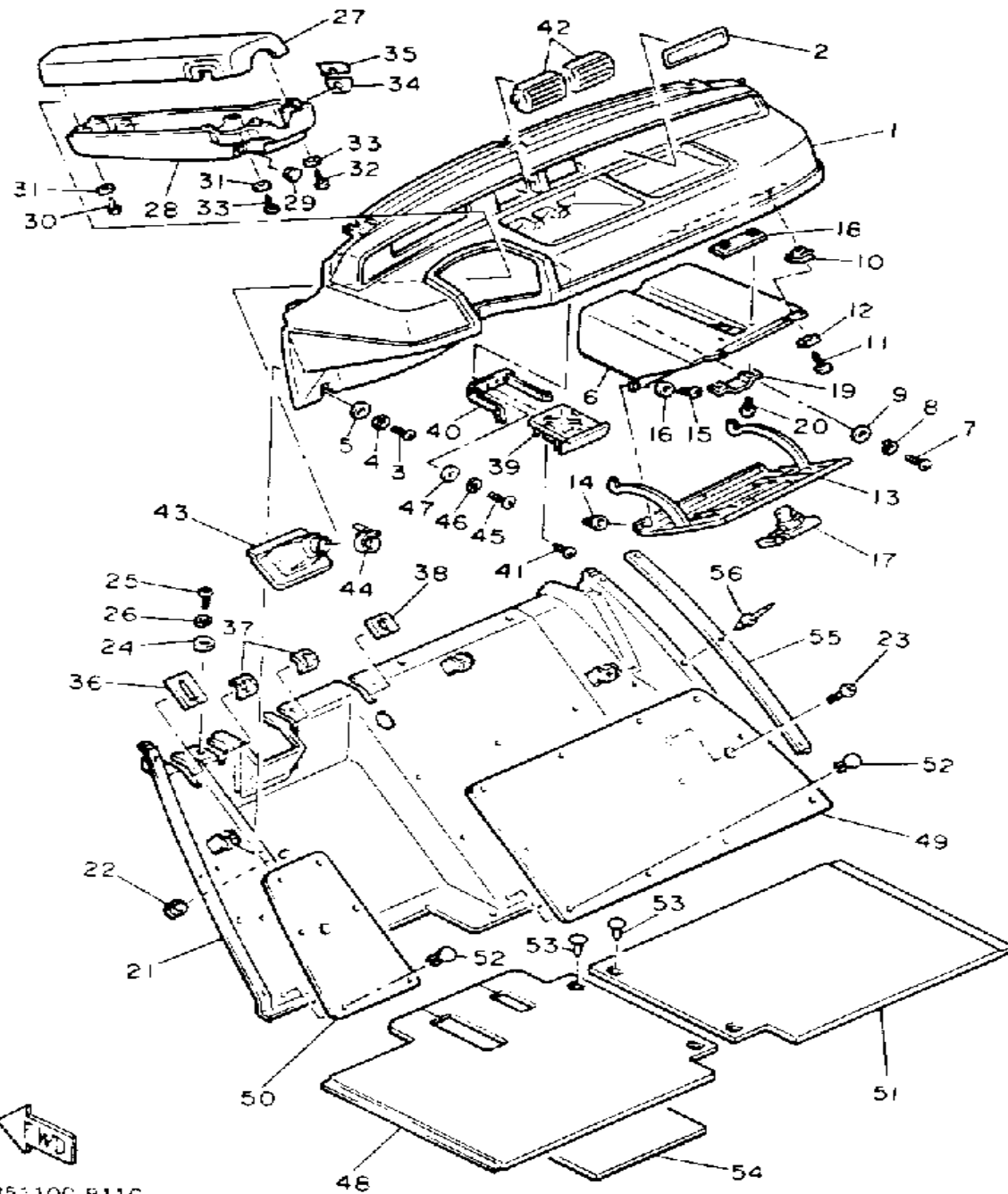


J51100-911C

Ref. No.	Part Number	Description	Qty	Remarks
1	J50-77711-00-00	PANEL, INSTRUMENT	1	
2	J50-77768-00-00	LABEL, WARNING 2	1	
3	98506-06016-00	SCREW, PANHEAD	6	
4	92906-06100-00	WASHER, SPRING	6	
5	90201-06059-00	WASHER, PLATE	6	
6	J50-K7735-00-00	BOX, GLOVE	1	
7	98506-06016-00	SCREW, PANHEAD	1	
8	92906-06100-00	WASHER, SPRING	1	
9	90201-06059-00	WASHER, PLATE	1	
10	90183-05050-00	NUT, SPRING	3	
11	97706-50520-00	SCREW, TAPPING	3	
12	90201-05721-00	WASHER, PLATE	3	
13	J50-K7736-00-00	LID, GLOVE BOX	1	
14	90269-08058-00	RIVET, SPEC'L SHAPE	3	
15	97706-50520-00	SCREW, TAPPING	3	
16	90201-05721-00	WASHER, PLATE	3	
17	35R-21708-01-00	SIDE CVR LOCK ASSEMBLY (J50-7773E-00)	1	
18	J50-77721-00-00	BRACKET 1	1	
19	J50-77728-00-00	WASHER	1	
20	98906-05016-00	SCREW, BIND	2	
21	J50-K7780-00-00	DASH PANEL ASSEMBLY	1	
22	90480-13511-00	GROMMET	1	
23	98906-06016-00	SCREW, BIND	2	
24	90201-06697-00	WASHER, PLATE	4	
25	98503-06014-00	SCREW, PAN HEAD (92502-06016)	4	
26	92995-06100-00	WASHER, SPRING	4	
27	J50-K7732-00-00	COVER, STEER SHFT 1	1	

CONTINUED ON NEXT FRAME ►

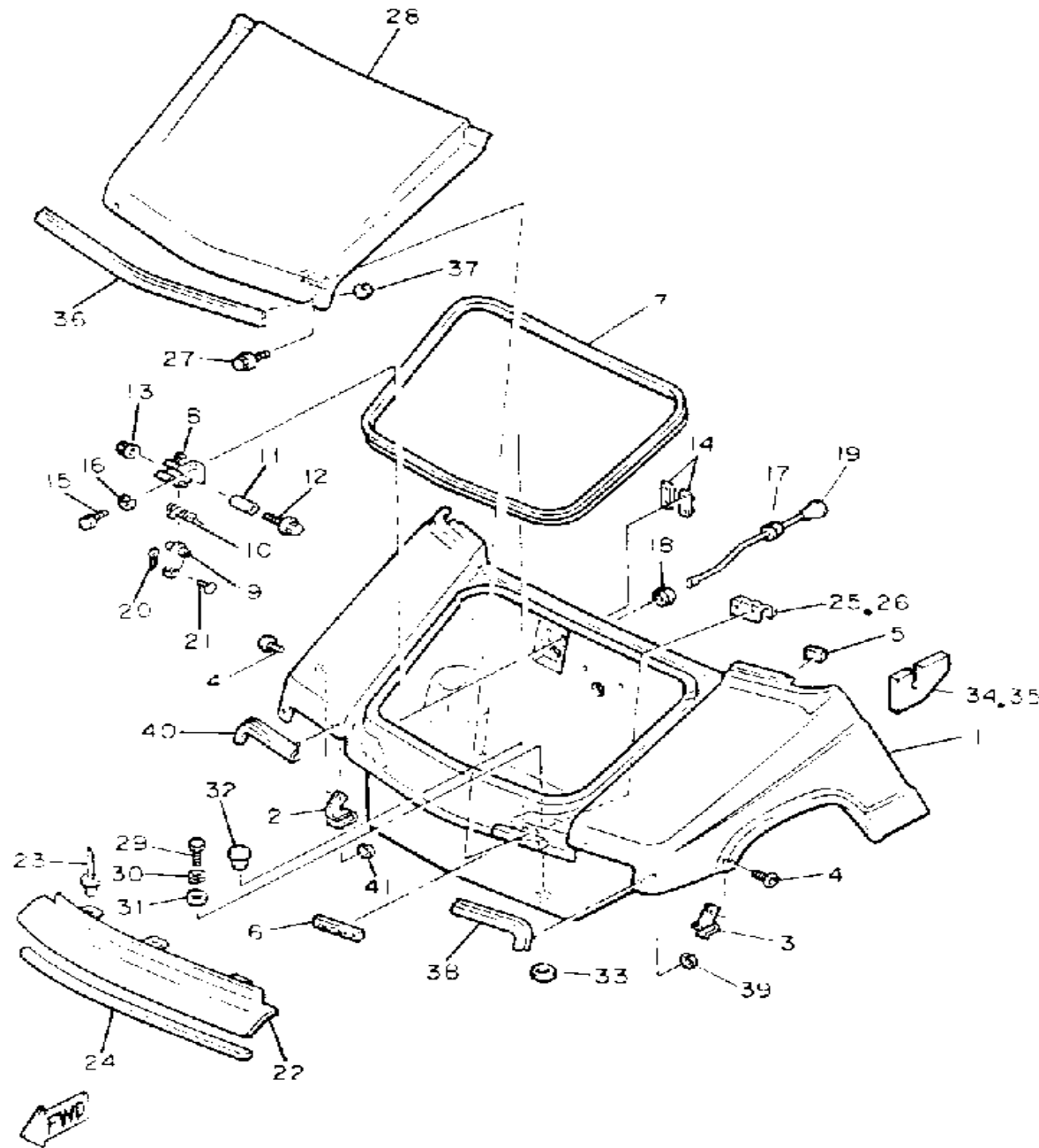
INSTRUMENT PANEL



J51100-911C

Ref. No.	Part Number	Description	Qty	Remarks
28	J50-K7733-00-00	COVER, STEER SHFT 2	1	
29	90338-11125-00	PLUG	1	
30	97780-50120-00	SCREW, TAPPING	2	
31	92901-05600-00	WASHER, PLATE	6	
32	97702-50130-00	SCREW, TAPPING	2	
33	97702-50540-00	SCREW, TAPPING	4	
34	J50-77741-00-00	INDICATOR 1	1	
35	J42-77742-00-00	INDICATOR 2	1	
36	J50-78245-00-00	SEAL 1	1	
37	J50-78246-00-00	SEAL, FLOOR 2	2	
38	J50-78247-00-00	SEAL 3	1	
39	J50-78280-00-00	ASH TRAY ASSEMBLY	1	
40	J50-78281-00-00	BRACKET, ASH TRAY 2	1	
41	98506-05010-00	SCREW, PAN HEAD	3	
42	J50-2837X-00-00	GRILL, AIR OUTLET 3	2	
43	J50-78283-00-00	COVER 3	1	
44	90465-13169-00	CALMP	1	
45	98580-05010-00	SCREW, PAN HEAD	2	
46	92990-05100-00	WASHER, SPRING	2	
47	92901-05600-00	WASHER, PLATE	2	
48	J50-K8231-00-00	MAT, MAIN FLOOR 1	1	
49	J50-K8232-00-00	MAT, MAIN FLOOR 2	1	
50	J50-K8233-00-00	MAT, MAIN FLOOR 3	1	
51	J50-K8234-00-00	MAT, MAIN FLOOR 4	1	
52	90267-63047-00	RIVET, BLIND	16	
53	90269-07064-00	RIVET	4	
54	J55-K8271-00-00	SERVICE LID, PEDAL	1	J38-78271-02
55	J50-78261-00-00	PLATE, BODY PRTC 1	2	
56	90267-40131-00	RIVET, BLIND	6	

BODY

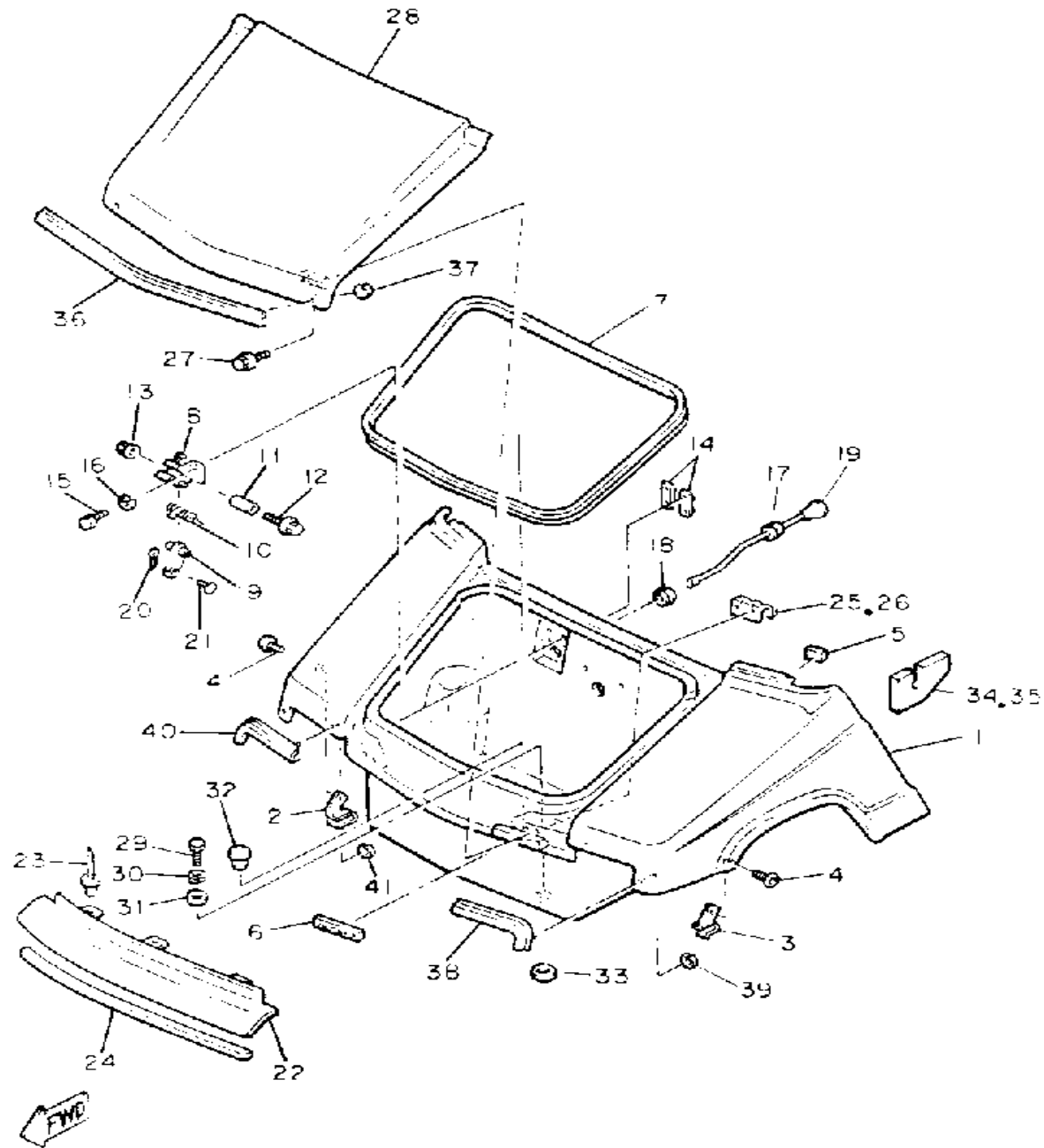


J50100-9250

Ref. No.	Part Number	Description	Qty	Remarks
1	J50-K819A-00-00	SHELL, FRNT.STORAGE	1	
2	J50-77532-00-00	BRACKET, FRONT R	1	
3	J50-77533-00-00	BRACKET, REAR L	1	
4	90110-06102-00	BOLT, HEXAGON SOCKET HEAD	2	
5	J50-78248-00-00	SEAL 4	2	
6	25G-21578-00-00	EMBLEM	1	
7	J50-7815G-00-00	SEAL, FRONT STORAGE	1	
8	J50-7814W-00-00	BRACKET, BODY LOCK	1	
9	J50-7814H-00-00	HOOK, BODY LOCK	1	
10	90508-15752-00	SPRING, TORSION	1	
11	90387-055U1-00	COLLAR	1	
12	90105-05126-00	BOLT, WASHER BASED	1	
13	95701-05500-00	NUT, FLANGE	1	
14	J50-78118-00-00	PLATE 2	2	
15	97001-05012-00	BOLT (97002-05012)	4	
16	92990-05100-00	WASHER, SPRING	4	
17	90480-12067-00	GROMMET	1	
18	90480-12480-00	GROMMET	1	
19	J50-7814G-00-00	LEVER, BODY LOCK	1	
20	90240-03089-00	PIN, CLEVIS	1	
21	91402-12018-00	PIN, COTTER	1	
22	J50-K8216-00-00	COVER, BUMPER GAP	1	
23	90267-48101-00	RIVET, BLIND	3	
24	J50-78316-00-00	DAMPER	2	
25	J50-78375-00-00	SUPPORT 1	1	
26	J50-78376-00-00	SUPPORT, 2	1	
27	95811-06016-00	BOLT, FLANGE (95822-06016)	4	
28	J50-K819E-00-00	LID, FRONT STORAGECOMP. (J50-K810E-00)	1	

CONTINUED ON NEXT FRAME ►

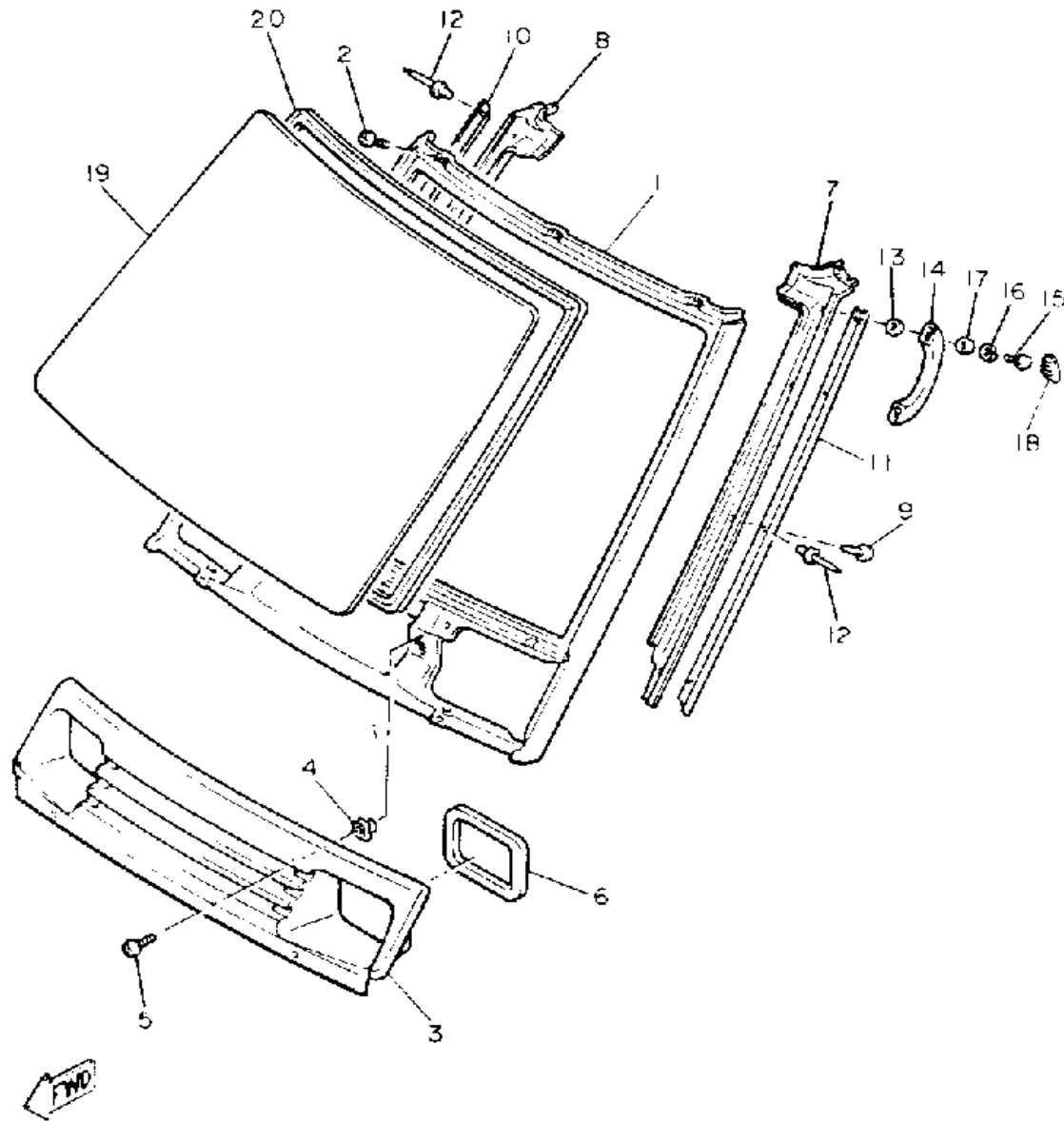
BODY



J50100-9250

Ref. No.	Part Number	Description	Qty	Remarks
29	97313-08020-00	BOLT, HEXAGON	2	
30	92990-08100-00	WASHER	2	
31	90201-08748-00	WASHER, PLATE	2	
32	90338-24112-00	PLUG, SPEC'L SHAPE	1	
33	90202-09194-00	WASHER, PLATE	2	
34	J50-7814E-00-00	SEAL, BODY SIDE 1	1	
35	J50-7814F-00-00	SEAL, BODY SIDE 2	1	
36	J50-7811A-00-00	TRIM, UPPER COWL	1	
37	90183-04005-00	NUT, SPRING	2	
38	J50-7816J-00-00	TRIM, FRONT BODY 1	1	
39	90183-04005-00	NUT, SPRING	2	
40	J50-7816K-00-00	TRIM, FRONT BODY 2	1	
41	90183-04005-00	NUT, SPRING	2	
	PNT-90000-K0-94	QRT, NEW WHITE	5	NEW WHITE

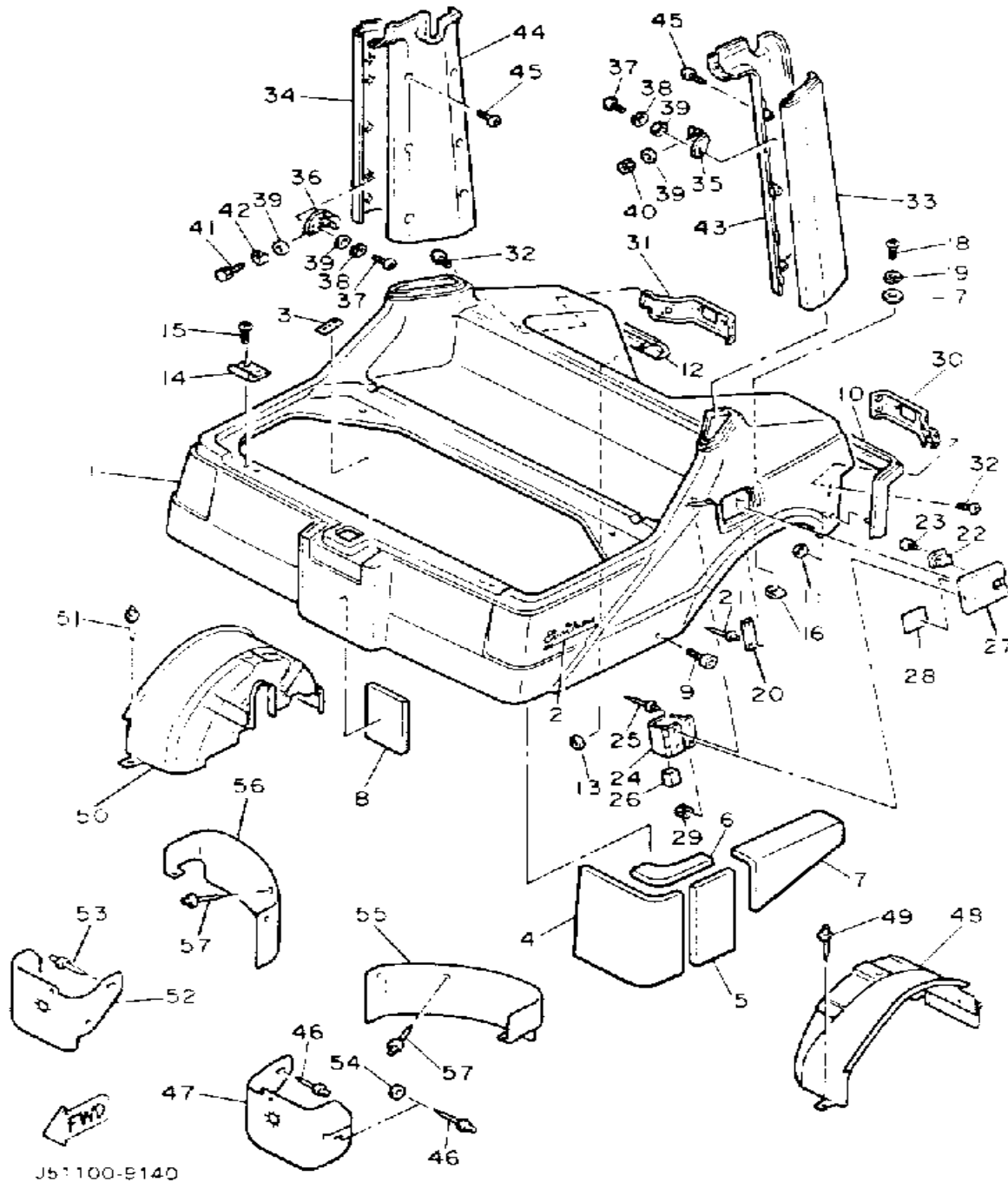
BODY 2



J50'09 9260

Ref. No.	Part Number	Description	Qty	Remarks
1	J50-K811J-00-00	BASE, HEAD LIGHT	1	
2	98901-08016-00	SCREW, BIND	5	
3	J50-K7251-00-00	COVER, HEADLIGHT	1	
4	90183-06057-00	NUT, SPRING	4	
5	98906-06014-00	SCREW, BIND	4	
6	J50-7811L-00-00	TRIM, COWL SIDE 2	2	
7	J50-K817A-00-00	COVER, FRONT PILLAR	1	
8	J50-K817E-00-00	COVER, FRONT PILLAR	1	
9	90269-06063-00	RIVET, SPEC'L SHAPE	4	
10	J50-7817J-00-00	TRIM, SIDE PANEL 2	1	
11	J50-7817H-00-00	TRIM, SIDE PANEL 1	1	
12	90267-48059-00	RIVET, BLIND	8	
13	90201-05725-00	WASHER, PLATE	4	
14	J50-78214-01-00	GRIP, HAND	2	
15	98580-05016-00	SCREW, PAN HEAD	4	
16	92990-05100-00	WASHER, SPRING	4	
17	92901-05600-00	WASHER, PLATE	4	
18	J50-78274-00-00	COVER, HOLE 2	4	
19	J50-K7211-00-00	WINDSHIELD	1	
20	J50-77213-00-00	TRIM, UPPER	1	

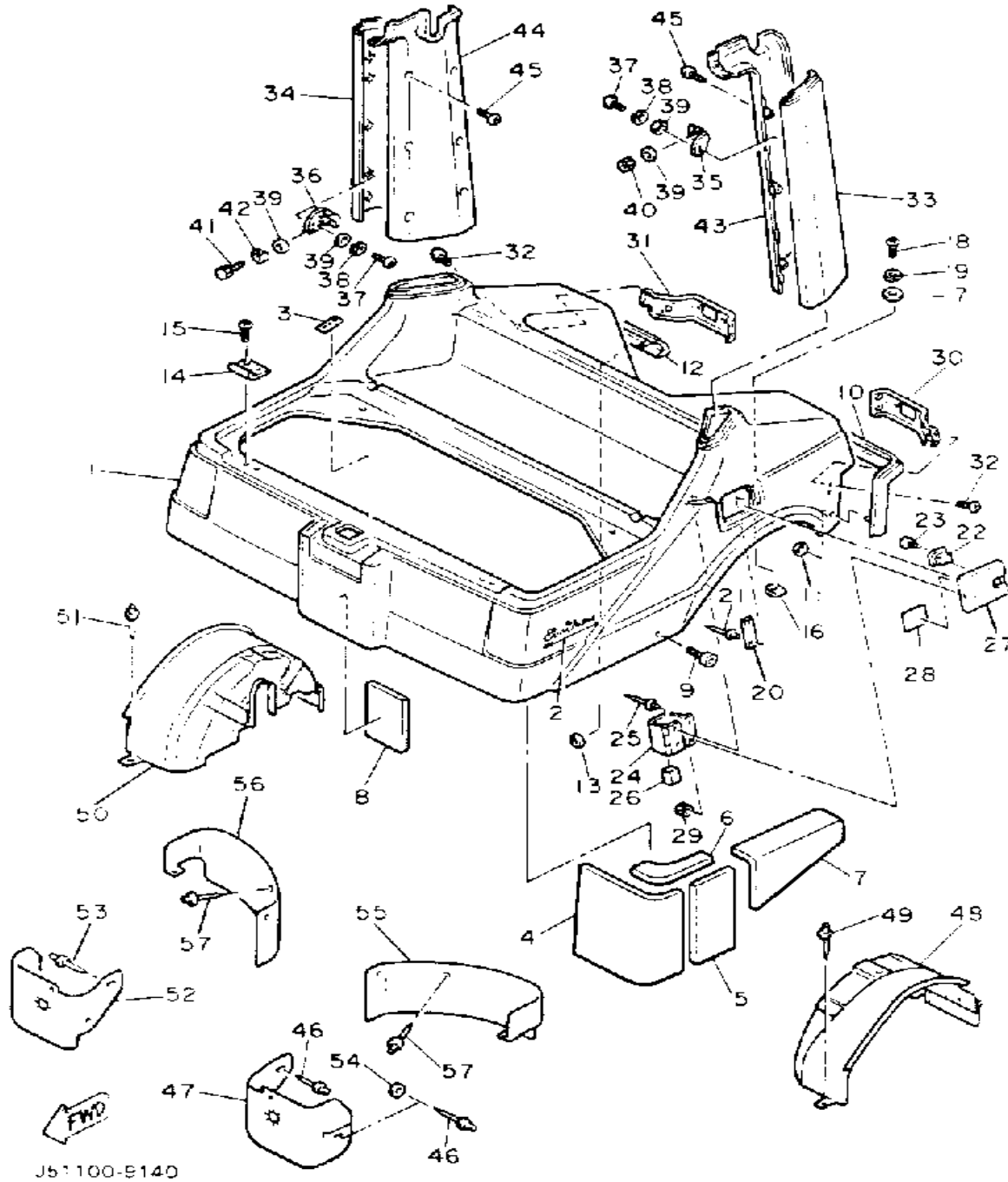
BODY 3



Ref. No.	Part Number	Description	Qty	Remarks
1	J50-K8142-01-00	PANEL, REAR BODY (J50-K8142-00)	1	
2	J50-78291-01-00	EMBLEM 1	2	
3	J51-77743-00-00	INDICATOR 3	1	
4	J51-78251-00-00	PAD, SILENCER 1	1	
5	J51-78252-00-00	PAD, SILENCER 2	1	
6	J51-78253-00-00	PAD, SILENCER 3	1	
7	J51-78254-00-00	PAD, SILENCER 4	1	
8	J50-78255-00-00	PAD, SILENCER 5	1	
9	90110-06102-00	BOLT, HEXAGON SOCKET HEAD	2	
10	J50-7824E-00-00	TRIM, REAR BODY 1	1	
11	90183-04005-00	NUT, SPRING	2	
12	J50-7824F-00-00	TRIM, REAR BODY 2	1	
13	90183-04005-00	NUT, SPRING	2	
14	J50-78427-00-00	HINGE, SEAT 2	2	
15	90151-06010-00	SCREW, COUNTERSUNK	4	
16	90183-06028-00	NUT, SPRING	2	
17	90201-06050-00	WASHER, PLATE	2	
18	98580-06020-00	SCREW	2	
19	92995-06100-00	WASHER, SPRING	2	
20	J50-7827A-00-00	GUIDE 1	1	
21	90267-40054-00	RIVET, BLIND	2	
22	1HX-21780-00-00	LOCK ASSEMBLY	1	
23	97706-40510-00	SCREW, TAPPING	2	
24	1HX-2849E-00-00	HINGE 4	1	
25	90267-40054-00	RIVET, BLIND	2	
26	J50-7826A-00-00	PAD BODY PROTECT 1	1	
27	J50-K8272-00-00	COVER, FUEL INLET	1	

CONTINUED ON NEXT FRAME ►

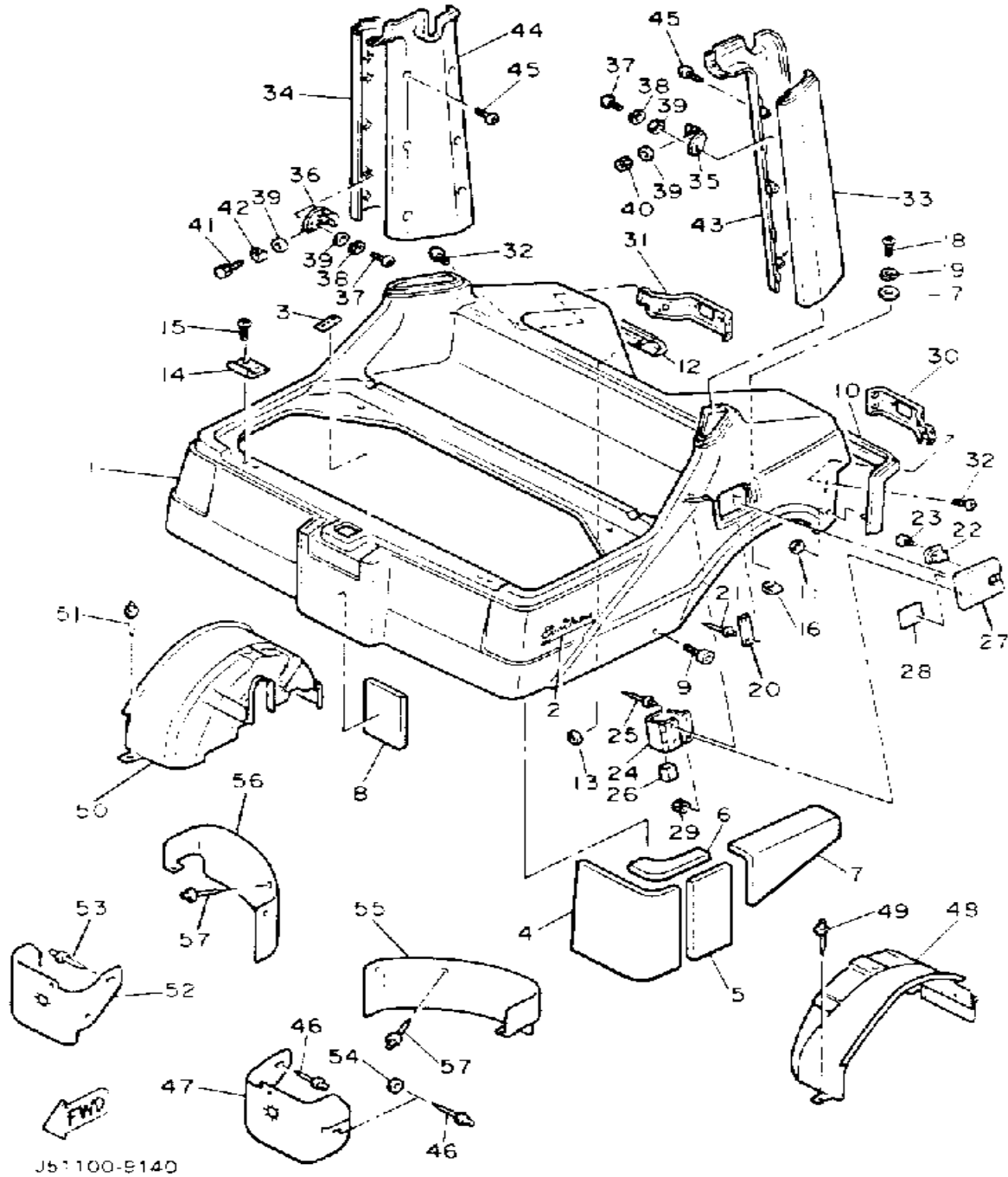
BODY 3



Ref. No.	Part Number	Description	Qty	Remarks
28	J51-77764-00-00	LABEL, WARNING 4	1	
29	95306-05600-00	NUT	2	
30	J50-H3368-00-00	STAY, FLASHER 1	1	
31	J50-H3369-00-00	STAY, FLASHER 2	1	
32	90110-06102-00	BOLT, HEXAGON SOCKET HEAD	8	
33	J50-K813F-00-00	COVER, SIDE PILLAR	1	
34	J50-K813G-00-00	COVER, SIDE PILLAR	1	
35	J50-7813W-00-00	BRACKET, COVER 1	4	
36	J50-7813X-00-00	BRACKET, COVER 2	4	
37	98580-06012-00	SCREW, PAN HEAD	8	
38	92995-06100-00	WASHER, SPRING	8	
39	92990-06200-00	WASHER	16	
40	95380-06600-00	NUT	2	
41	97013-06012-00	BOLT	6	
42	92995-06100-00	WASHER, SPRING	6	
43	J50-K817F-00-00	COVER, REAR PILLAR	1	
44	J50-K817G-00-00	COVER, REAR PILLAR	1	
45	97780-50612-00	SCREW, TAPPING	12	
46	90267-48141-00	RIVET, BLIND	2	
47	J50-7818K-00-00	FLAP, FRONT FENDER	1	
48	J50-K8191-00-00	PANEL, REAR FENDE 1	1	
49	90267-48104-00	RIVET, BLIND	3	
50	J50-K8192-00-00	PANEL, REAR FENDE 2	1	
51	90267-48104-00	RIVET, BLIND	3	
52	J50-78187-00-00	FLAP, FRONT FENDER	1	
53	90267-49152-00	RIVET, BLIND	2	
54	90201-05033-00	WASHER, PLATE	2	
55	J50-78185-00-00	EXT, FRONT FENDER 1FRONT FENDER 1	1	

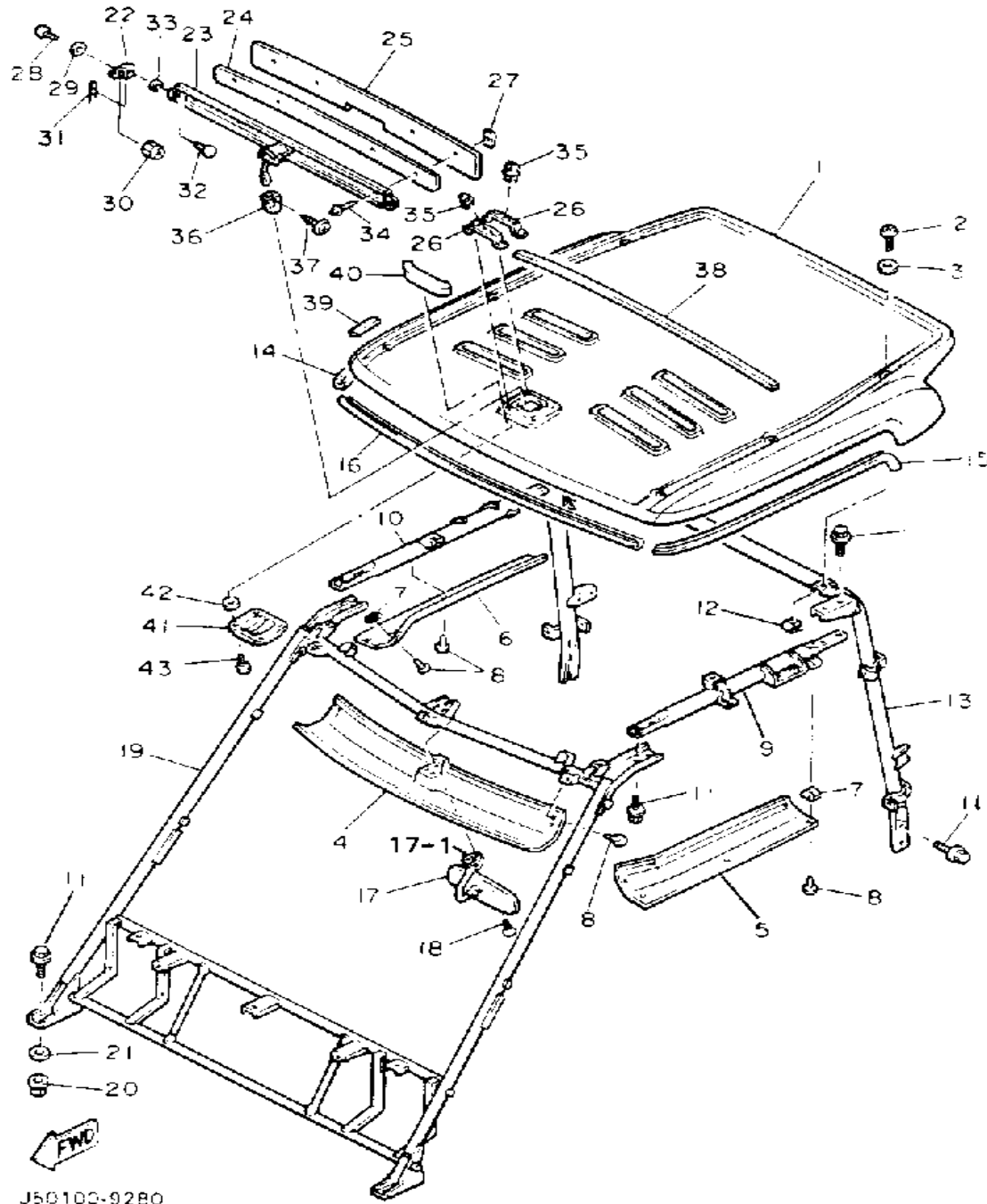
CONTINUED ON NEXT FRAME ►

BODY 3



Ref. No.	Part Number	Description	Qty	Remarks
56	J50-78186-00-00	EXT, FRONT FENDER 2FRONT FENDER 2	1	
57	90267-48101-00	RIVET, BLIND	6	
	PNT-90000-K0-94	QRT, NEW WHITE 5	5	NEW WHITEOPTIONAL PARTS

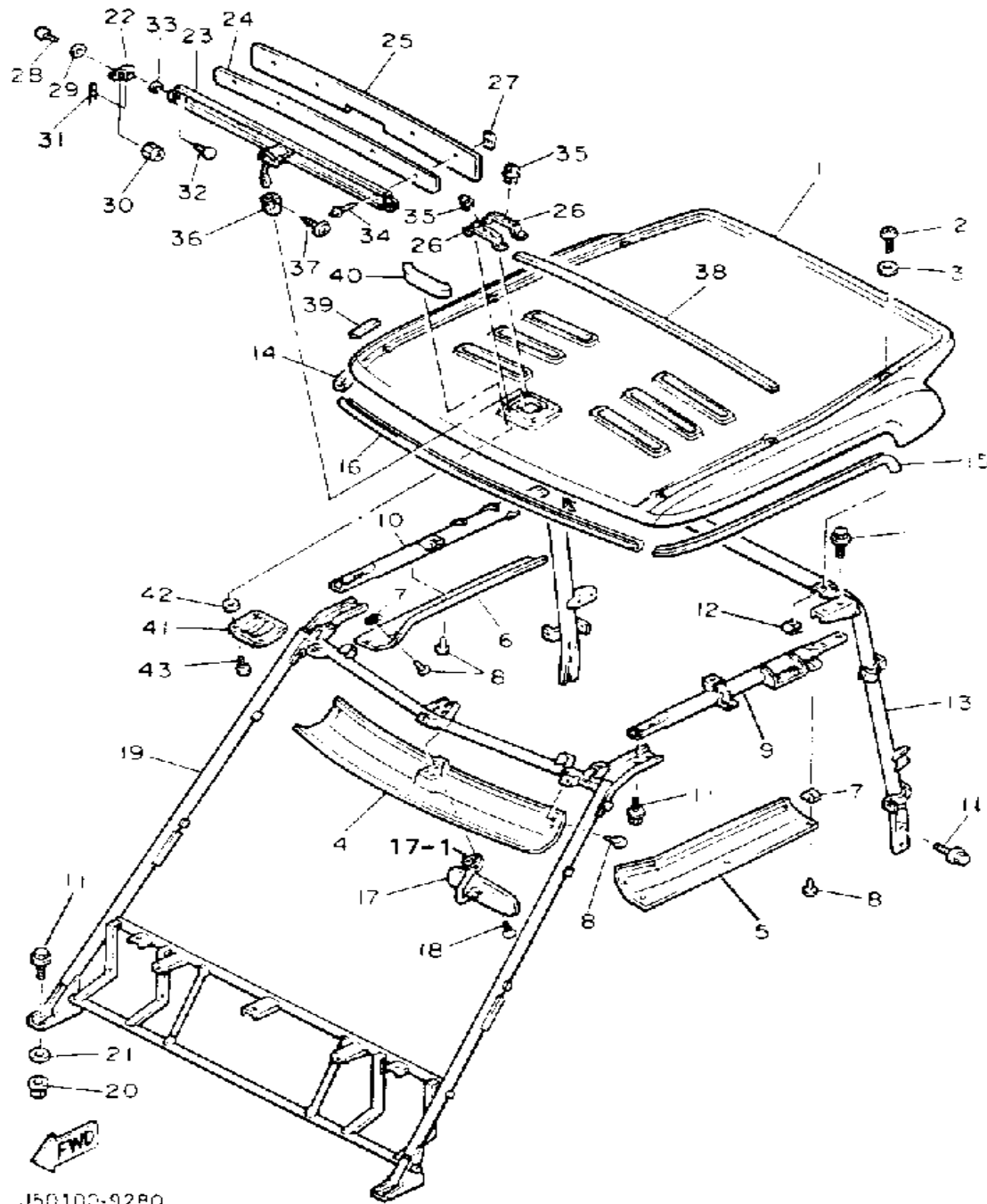
SUN ROOF



Ref. No.	Part Number	Description	Qty	Remarks
1	J50-K8314-00-00	COVER, SUN ROOF	1	
2	98980-08020-00	SCREW, BIND	6	
3	92990-08200-00	WASHER, PLAIN	6	
4	J50-K8312-00-00	SUPPORT, SUN ROO 1	1	
5	J50-K8313-00-00	SUPPORT, SUN ROO 2	1	
6	J50-K831A-00-00	SUPPORT, ROOF 3	1	
7	J50-78342-00-00	HOOK, SUPPORT	6	
8	90269-06063-00	RIVET, SPEC"L SHAPE	14	
9	J50-K831G-00-00	STAY, SUNROOF COVER	1	
10	J50-K831H-00-00	STAY, SUNROOF COVER	1	
11	95821-08020-00	BOLT, FLANGE (95801-08020)	16	
12	90183-08051-00	NUT, SPRING	2	
13	J50-K8311-00-00	FRAME, SUN ROOF	1	
14	J50-7831X-00-00	TRIM, ROOF 3	1	
15	J50-7831J-00-00	TRIM, ROOF	1	
16	J50-78315-00-00	TRIM, ROOF	1	
17	J50-26290-00-00	MIRROR ASSEMBLY ASS"Y (RIGHT)	1	
18	98586-05016-00	SCREW, PAN HEAD	3	
19	J50-K8301-00-00	FRAME COMP., ROOF	1	
20	95701-08500-00	NUT, FLANGE	4	
21	90201-084K3-00	WASHER, PLATE	4	
22	J50-7831L-00-00	REINFORCEMENT, ROOF ROOF SUPPORT 1	2	
23	J50-7834E-01-00	HOLDER COMP. 1	1	
24	J50-7831U-00-00	PLATE, ROOF	1	
25	J50-7831K-00-00	END, ROOF TRIM	1	
26	J50-7831R-00-00	HOOK, END 3	2	
27	J50-78344-00-00	RETAINER 2	4	

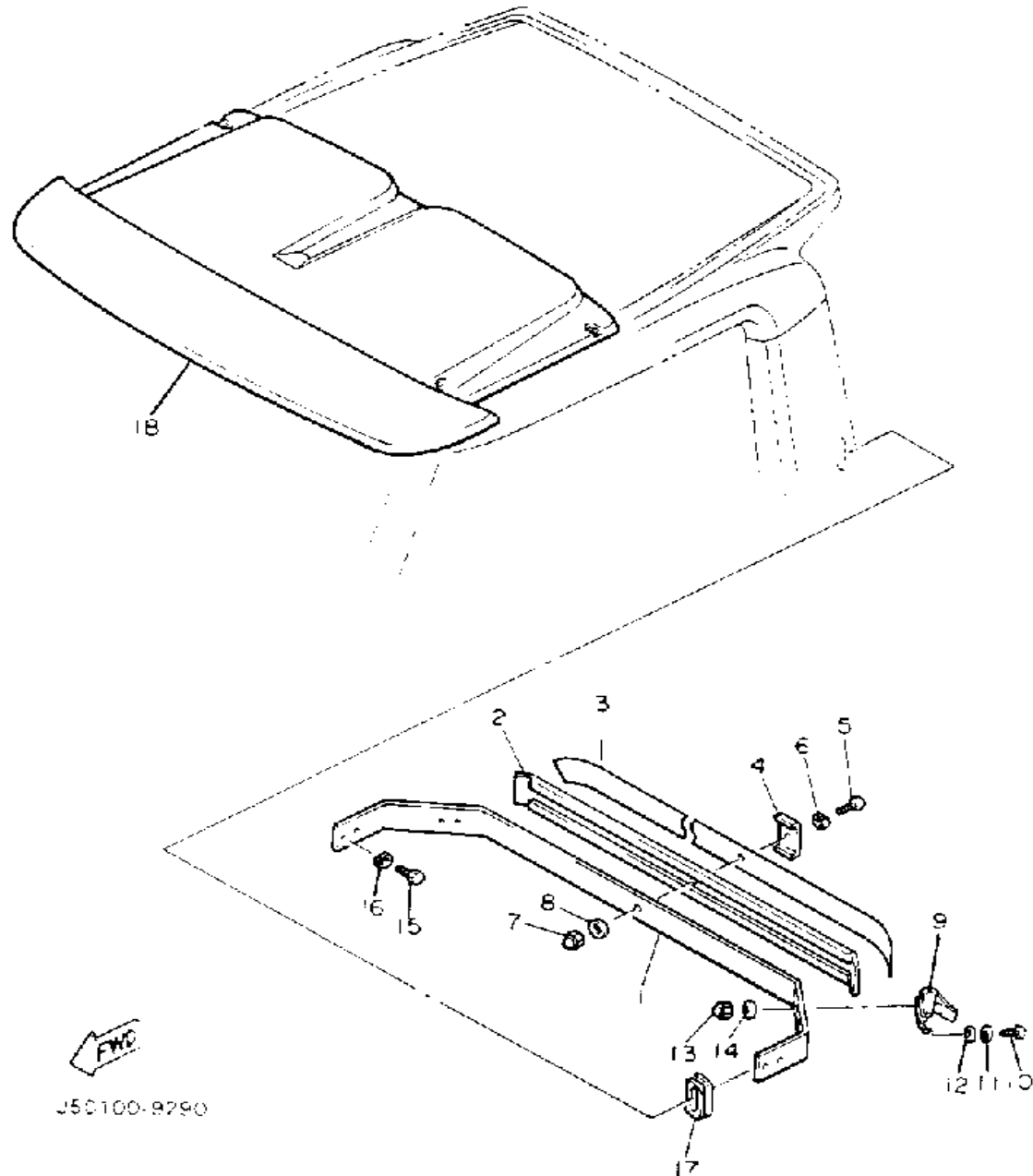
CONTINUED ON NEXT FRAME ►

SUN ROOF



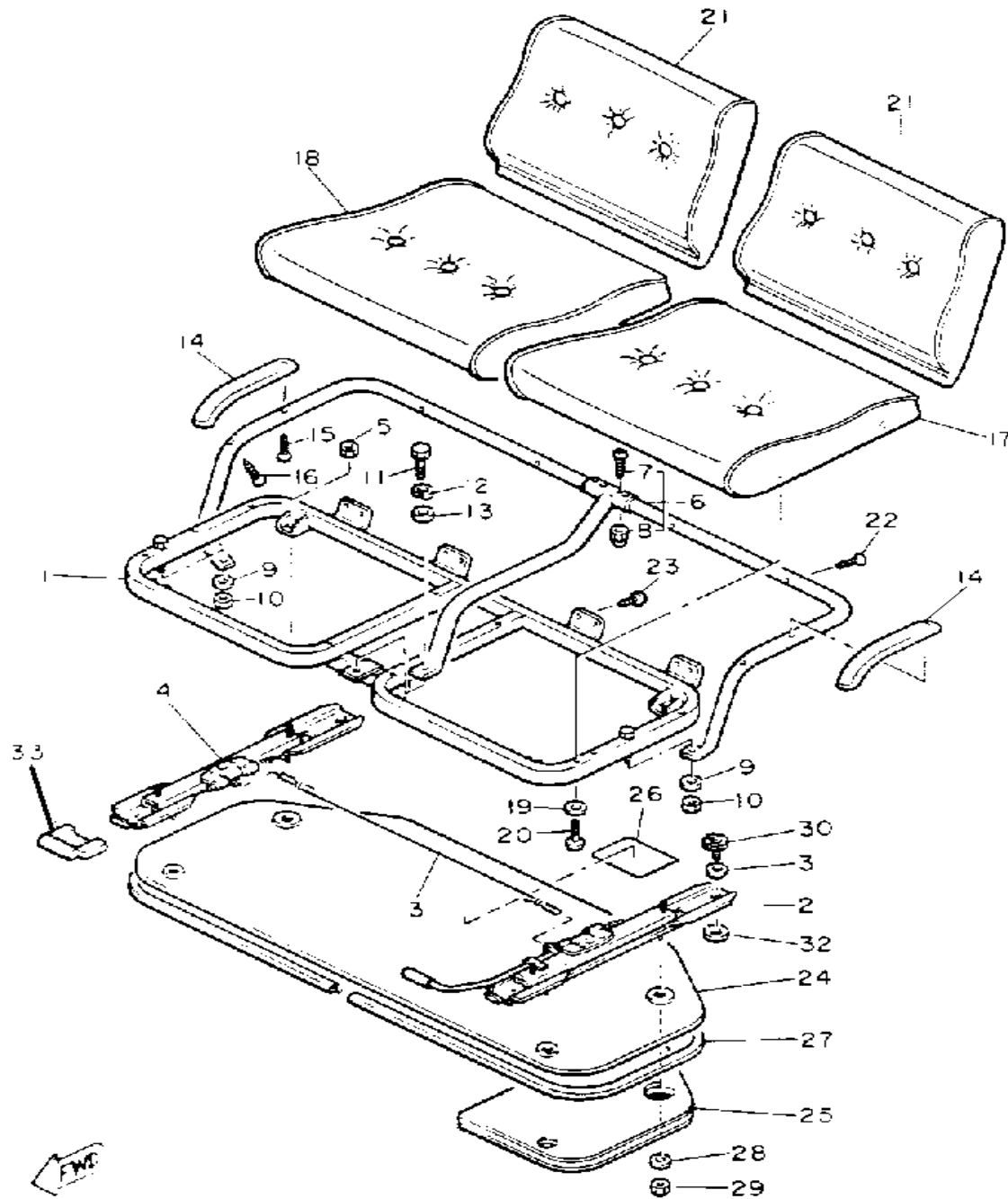
Ref. No.	Part Number	Description	Qty	Remarks
28	98980-06014-00	SCREW, BIND	2	
29	92990-06200-00	WASHER	2	
30	95780-06300-00	NUT, FLANGE	2	
31	90468-10050-00	CLIP	2	
32	90240-06005-00	PIN, CLEVIS	2	
33	90201-06050-00	WASHER, PLATE	2	
34	90267-48138-00	RIVET, BLIND	4	
35	J50-78358-00-00	HOLDER 2	2	
36	JA9-52625-00-00	KNOB	1	
37	98606-03016-00	SCREW, OVAL HEAD	2	
38	J50-7814A-00-00	SEAL, BODY UPPER	1	
39	J50-78316-00-00	DAMPER	2	
40	J50-78337-00-00	SEAL, SIDE WND/SHLD	1	
41	J50-7832F-00-00	GROMMET, ROOF SUP 1	1	
42	90201-05651-00	WASHER, PLATE	4	
43	90149-05282-00	SCREW, SPEC'L SHAPE	4	
17-1	J50-2628N-00-00	. BASE, MIRROR	1	

CARRIER



Ref. No.	Part Number	Description	Qty	Remarks
1	J50-78351-00-00	SUPPORT, BAG UPPER	1	
2	J50-78356-00-00	PAD, BAG SUPPORT	1	
3	J50-78355-00-00	BAND	1	
4	J38-78367-00-00	PLATE, ANCHOR	1	
5	98980-06020-00	SCREW, BIND	1	
6	92995-06100-00	WASHER, SPRING	1	
7	95380-06800-00	NUT	1	
8	92990-06200-00	WASHER	1	
9	J10-78380-00-00	LOCK ASSEMBLY	2	
10	98580-06016-00	SCREW, PAN HEAD	4	
11	92995-06100-00	WASHER, SPRING	4	
12	92990-06600-00	WASHER, PLATE	4	
13	95380-06800-00	NUT	4	
14	92990-06200-00	WASHER	4	
15	97011-08016-00	BOLT	4	
16	92990-08100-00	WASHER	4	
17	J50-7836F-00-00	GROMMET	2	
18	J50-7831F-00-00	SUPPORT, ROOF 5	1	

SEAT

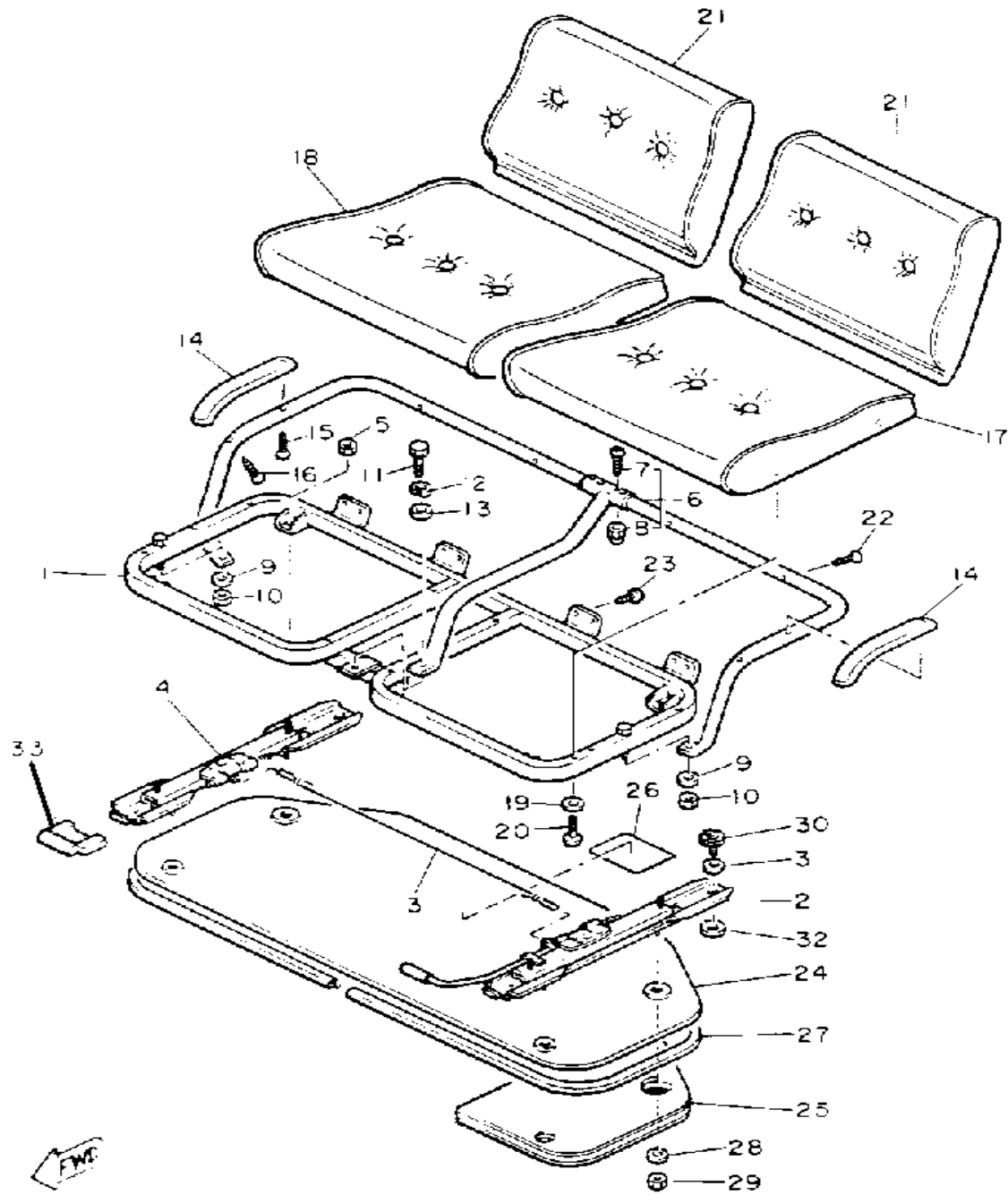


J51100-8170

Ref. No.	Part Number	Description	Qty	Remarks
1	J50-K8451-00-00	FRAME, SLIDE SEAT	1	
2	J50-78452-00-00	SEAT-ADJUSTER 1	1	
3	J50-78457-00-00	WIRE, ADJUSTER	1	
4	J50-78453-00-00	SEAT-ADJUSTER 2	1	
5	95333-08600-00	NUT	4	
6	J50-K8421-00-00	SUPPORT, SEAT	1	
7	98580-06035-00	. SCREW, PAN HEAD	4	
8	95380-06800-00	. NUT	4	
9	92990-08600-00	WASHER, PLATE	2	
10	95380-08600-00	NUT	2	
11	97011-08016-00	BOLT	1	
12	92990-08100-00	WASHER	1	
13	92990-08600-00	WASHER, PLATE	1	
14	J50-78361-00-00	ARM REST 1	2	
15	98680-05030-00	SCREW, OVAL HEAD	2	
16	97780-50330-00	SCREW, TAPPING	2	
17	J50-K8401-00-00	SEAT SB/ASSEMBLY, CSHN ..	1	J42-78401-00
18	J50-K8403-00-00	SEAT SB/ASSEMBLY, CSH 2 ..	1	J42-78403-00
19	90201-065F3-00	WASHER, PLATE	8	
20	98580-06545-00	SCREW PAN HEAD (92503-06045)	8	
21	J50-K8402-00-00	SEAT SB/ASSEMBLY, BACK ..	2	J42-78402-00
22	90152-06017-00	SCREW, COUNTERSUNK	4	
23	90149-059U1-00	SCREW, PANHEAD (97701-50516)	8	
24	J50-K8414-00-00	PLATE, SEAT BOTTOM	1	
25	J51-78255-00-00	PAD, SILENCER 5	1	
26	J51-77765-00-00	LABEL, WARNING 5	1	
27	J50-78425-01-00	SEAL, SEAT	1	

CONTINUED ON NEXT FRAME ►

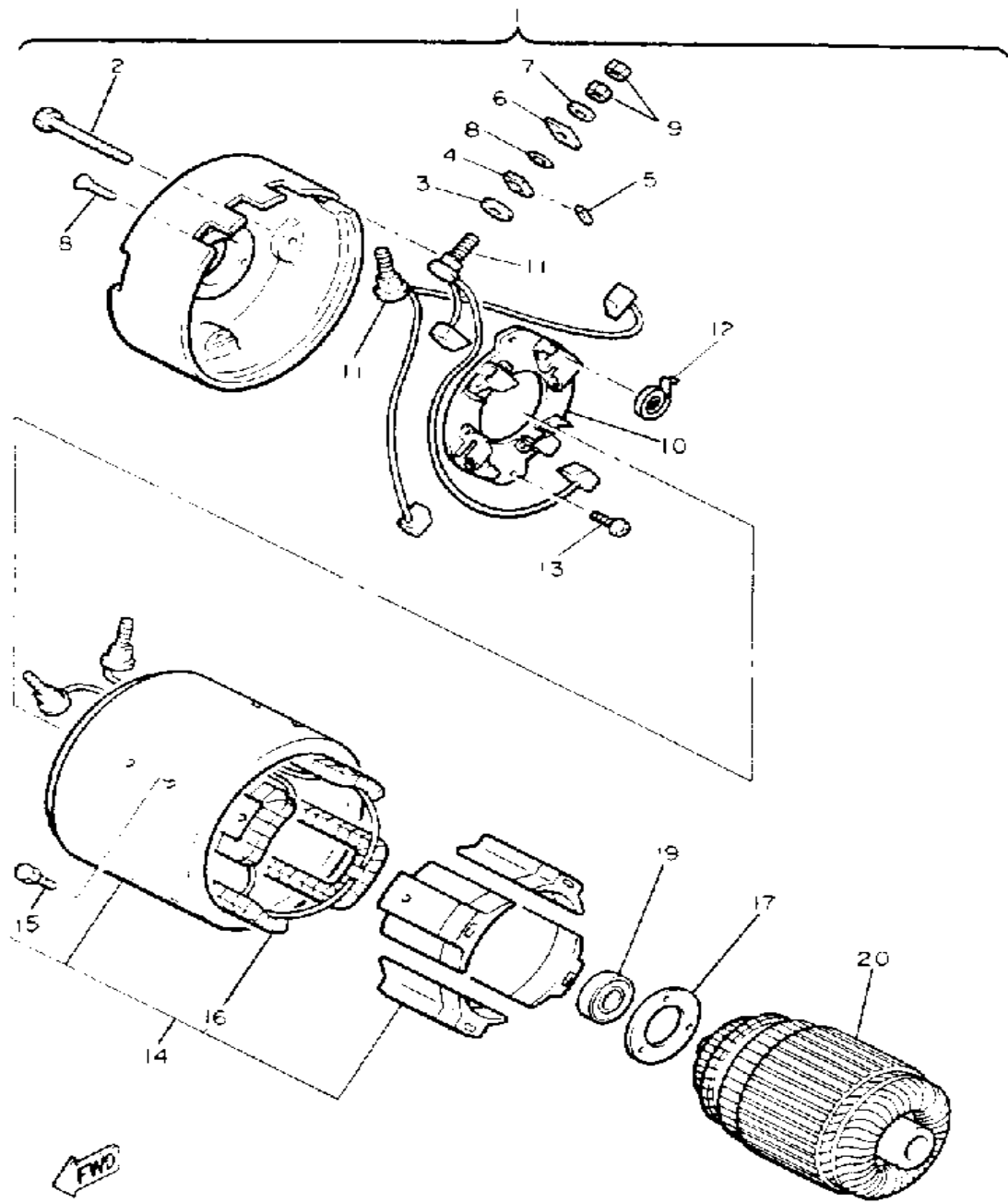
SEAT



J51100-8170

Ref. No.	Part Number	Description	Qty	Remarks
28	92990-08600-00	WASHER, PLATE	4	
29	95380-08600-00	NUT	4	
30	J50-78417-00-00	KNOB, PLATE SEAT	2	
31	90201-08795-00	WASHER, PLATE	2	
32	90201-105H3-00	WASHER, PLATE	2	
33	J50-78139-00-00	CAP, END	2	

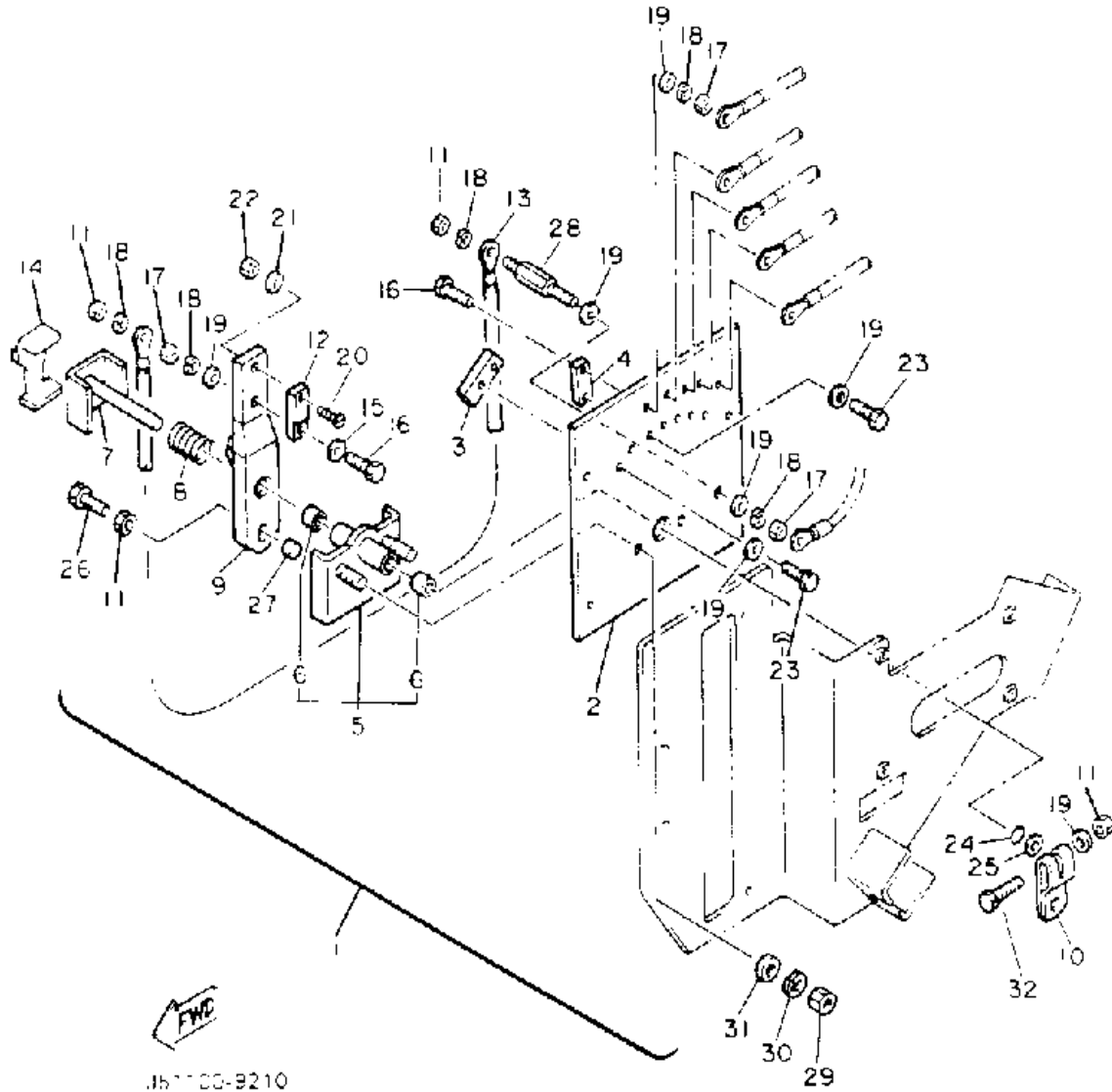
STARTING MOTOR



J51100-9250

Ref. No.	Part Number	Description	Qty	Remarks
1	J51-H1890-01-00	STARTING MOTOR ASSEMBLY	1	
2	J56-H1828-00-00	. BOLT 2	2	
3	J56-H1824-00-00	. WASHER 2	4	
4	J56-H182G-00-00	. BUSH, TERMINAL	4	
5	J56-H1861-00-00	. GASKET	4	
6	J56-H1843-00-00	. WASHER 1	4	
7	J56-H1894-00-00	. WASHER, SPECIAL	4	
8	J56-H1847-00-00	. O"RING	4	
9	J56-H182A-00-00	. NUT	8	
10	J51-H1840-00-00	. BRUSH HOLDER ASSEMBLY	1	
11	J56-H1801-00-00	. BRUSH SET	2	
12	J56-H1813-00-00	. SPRING, BRUSH 1	4	
13	J56-H1848-00-00	. SCREW, BRUSH HOLDER	4	
14	ϕJ5-1H181-00-00	. UNAVAILABLE IN PRICE BOOK	1	
15	J56-H1826-00-00	. BOLT	8	
16	J51-H1160-00-00	. FIELD COIL ASSEMBLY	1	
17	J56-H1857-00-00	. RETAINER	1	
18	J56-H1846-00-00	. SCREW	3	
19	J56-H1856-00-00	. RETAINER	1	
20	J51-H1850-00-00	. ARMATURE ASSEMBLY	1	

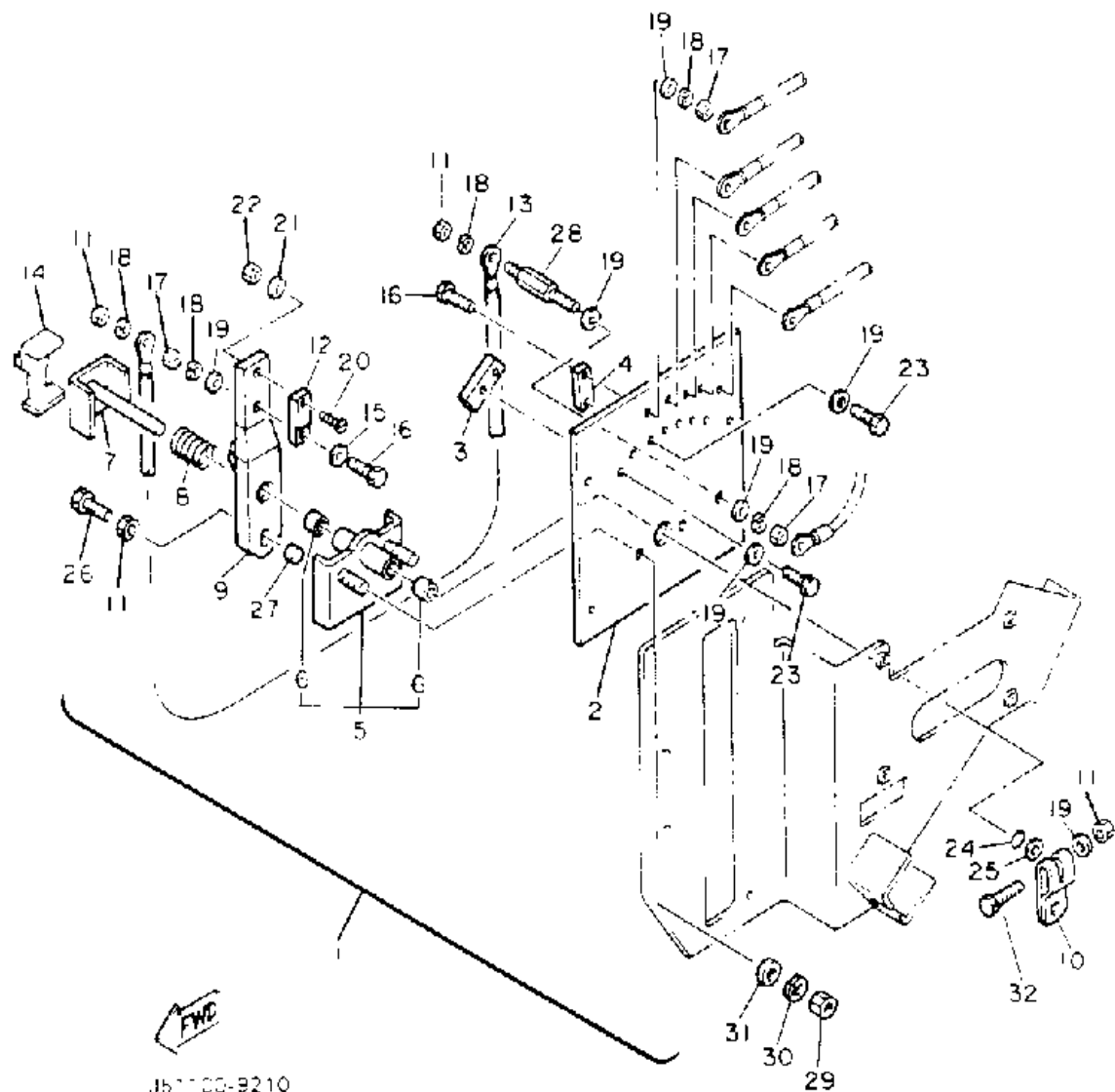
CONTROLLER 1



Ref. No.	Part Number	Description	Qty	Remarks
1	J51-86140-00-00	CONTROLLER ASSEMBLY	1	
2	J46-86142-00-00	. BASE, PLATE	1	
3	J14-82103-00-00	. TERMINAL 1	1	
4	J14-86162-00-00	. CONTACT, STATE	5	
5	J14-86156-00-00	. HOLDER, SHAFT	1	
6	90380-10010-00	. BUSH, SOLID	2	
7	ϕJ5-18615-50-00	. UNAVAILABLE IN PRICE BOOK	1	
8	90501-16573-00	. SPRING, COMPRESSION	1	
9	J22-86152-00-00	. ARM, MOVING	1	
10	ϕJ5-18614-40-00	. UNAVAILABLE IN PRICE BOOK	1	
11	95380-06700-00	. NUT	4	
12	J14-86153-00-00	. CONTACT, MOVING	1	
13	J22-86157-00-00	. WIRE, LEAD	1	
14	J22-86158-00-00	. SPRING, COMPRESSION	1	
15	90201-063F3-00	. WASHER, PLATE	1	
16	90101-06469-00	. BOLT	6	
17	95320-06600-00	. NUT	7	
18	92995-06100-00	. WASHER, SPRING	9	
19	92990-06600-00	. WASHER, PLATE	16	
20	98701-04016-00	. SCREW, FLAT HEAD (98702-04016)	1	
21	92902-04300-00	. WASHER, IN.TOOTH	1	
22	95301-04600-00	. NUT	1	
23	97013-06012-00	. BOLT	7	
24	93210-10166-00	. O-RING	1	
25	92990-10600-00	. WASHER, PLATE	1	
26	97011-06020-00	. BOLT	1	
27	90386-05111-00	. BUSH, SPEC'L NYLON	1	

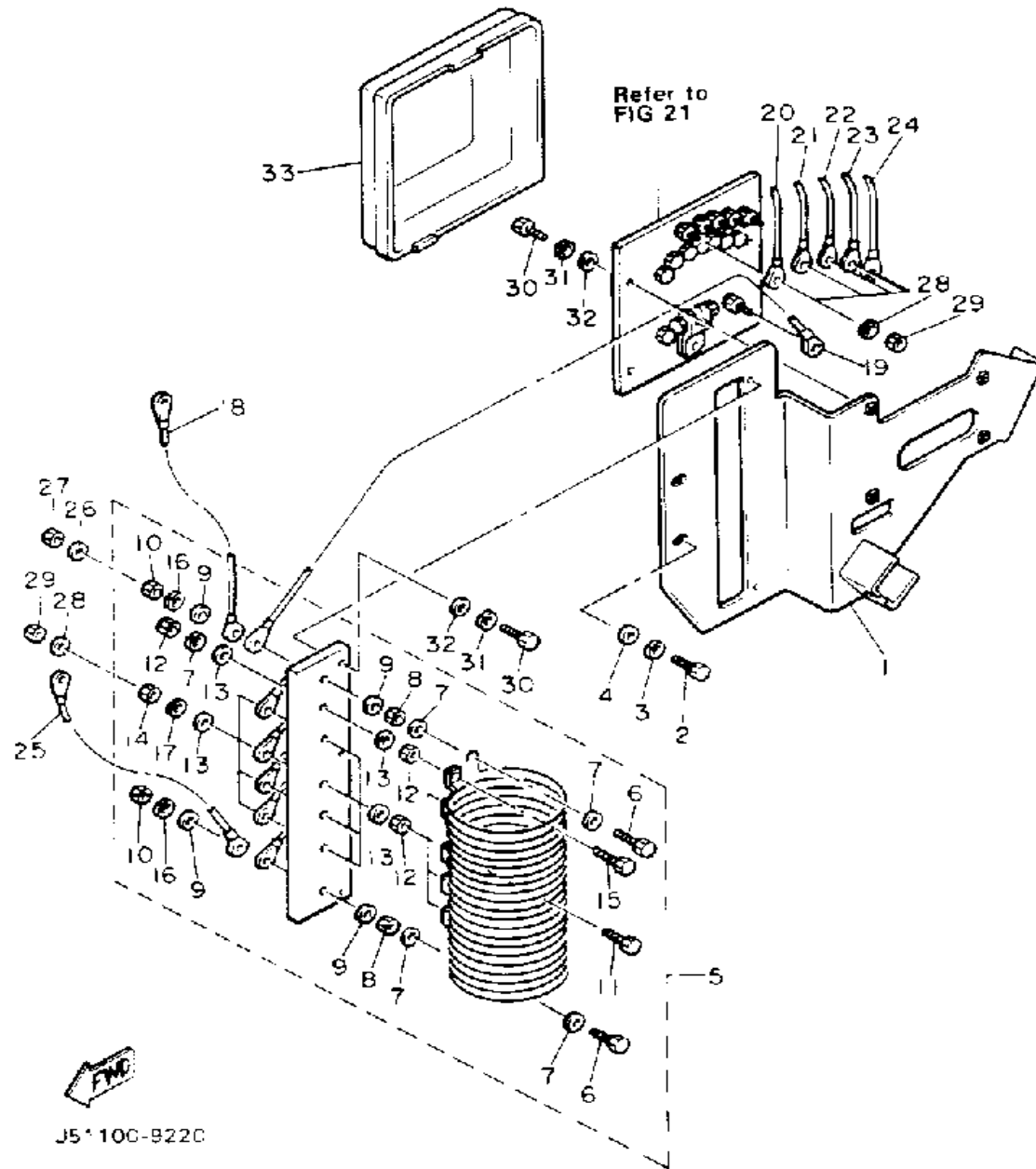
CONTINUED ON NEXT FRAME ►

CONTROLLER 1



Ref. No.	Part Number	Description	Qty	Remarks
28	J22-82104-00-00	. TERMINAL 2	1	
29	95303-08700-00	. NUT	2	
30	95902-08100-00	. WASHER, SPRING	2	
31	92990-08600-00	. WASHER, PLATE	2	
32	97021-06030-00	. BOLT	1	

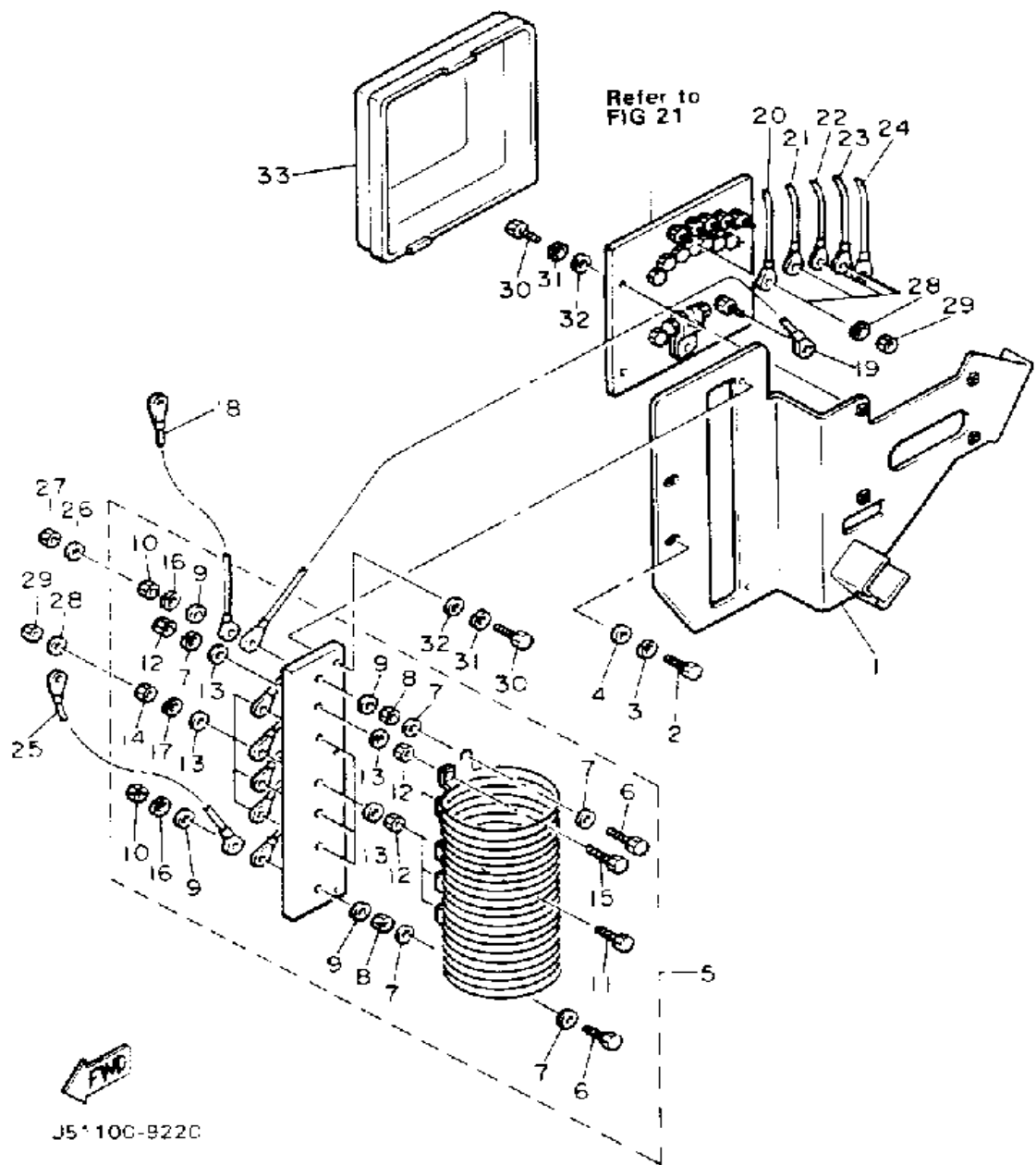
CONTROLLER 2



Ref. No.	Part Number	Description	Qty	Remarks
1	J51-86141-00-00	PLATE, CONTROLLER	1	
2	97011-06025-00	BOLT (97001-06025)	4	
3	92995-06100-00	WASHER, SPRING	4	
4	92990-06600-00	WASHER, PLATE	4	
5	J51-85370-00-00	RESISTOR ASSEMBLY	1	
6	90101-08470-00	. BOLT	2	
7	90201-083F1-00	. WASHER, PLATE	4	
8	95303-08700-00	. NUT	2	
9	92990-08600-00	. WASHER, PLATE	4	
10	95320-08700-00	. NUT	2	
11	90101-06469-00	. BOLT	4	
12	95380-06700-00	. NUT	6	
13	92990-06600-00	. WASHER, PLATE	10	
14	95320-06600-00	. NUT	4	
15	97011-06025-00	. BOLT (97001-06025)	1	
16	92990-08100-00	. WASHER	2	
17	92995-06100-00	. WASHER, SPRING	5	
18	J51-86176-00-00	WIRE, LEAD	1	
19	J51-82507-00-00	WIRE, LEAD	1	
20	J14-86175-00-00	WIRE, LEAD 5	1	
21	J14-86175-00-00	WIRE, LEAD 5	1	
22	J14-86175-00-00	WIRE, LEAD 5	1	
23	J14-86175-00-00	WIRE, LEAD 5	1	
24	J14-86175-00-00	WIRE, LEAD 5	1	
25	J51-82541-00-00	WIRE, LEAD	1	
26	92990-08100-00	WASHER	2	
27	95303-08700-00	NUT	2	
28	92995-06100-00	WASHER, SPRING	4	
29	95380-06700-00	NUT	4	

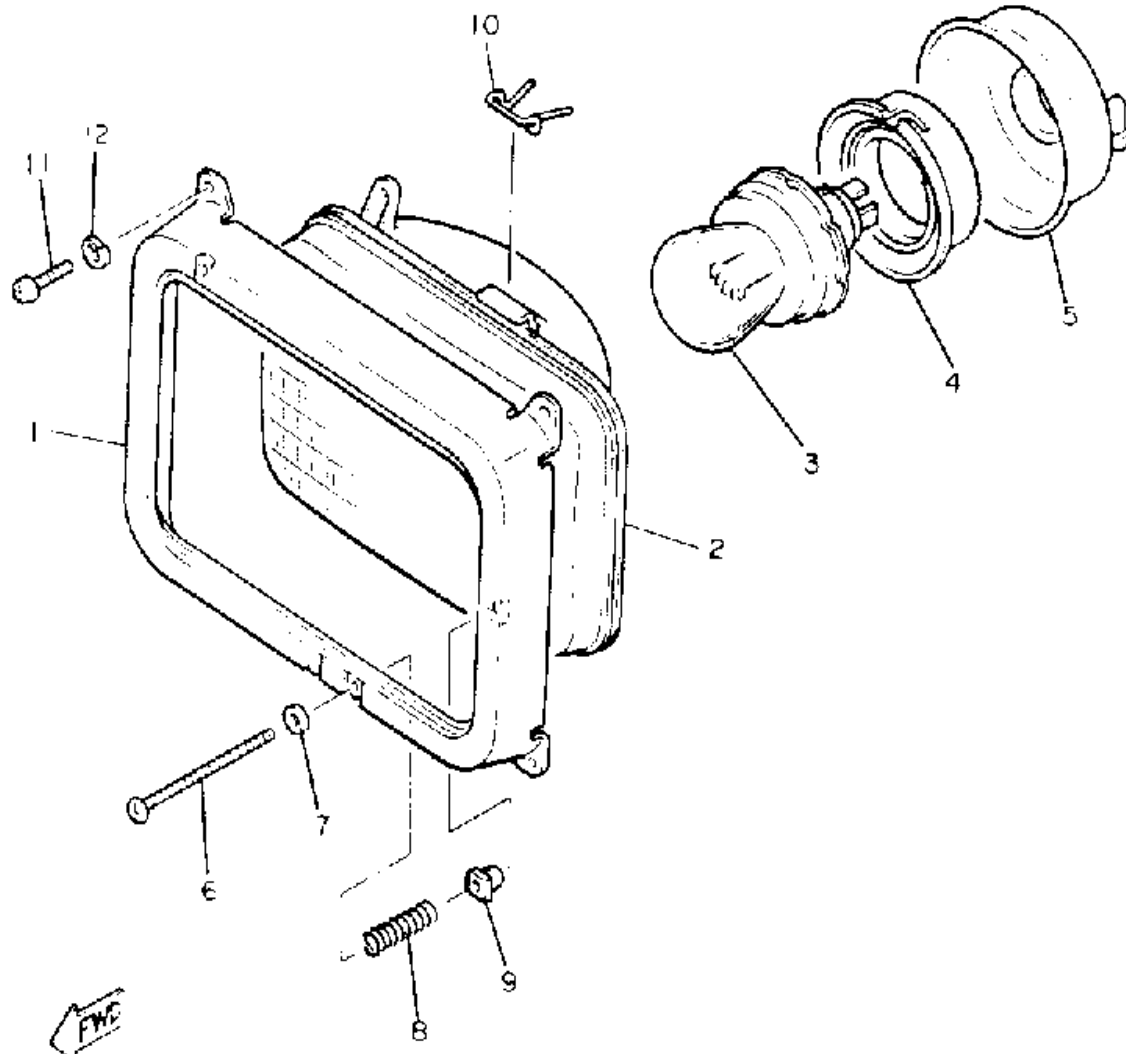
CONTINUED ON NEXT FRAME ►

CONTROLLER 2



Ref. No.	Part Number	Description	Qty	Remarks
30	97011-08016-00	BOLT	4	
31	92990-08100-00	WASHER	4	
32	92990-08600-00	WASHER, PLATE	4	
33	J56-H6163-00-00	COVER, CONTROLLER	1	J14-86163-01

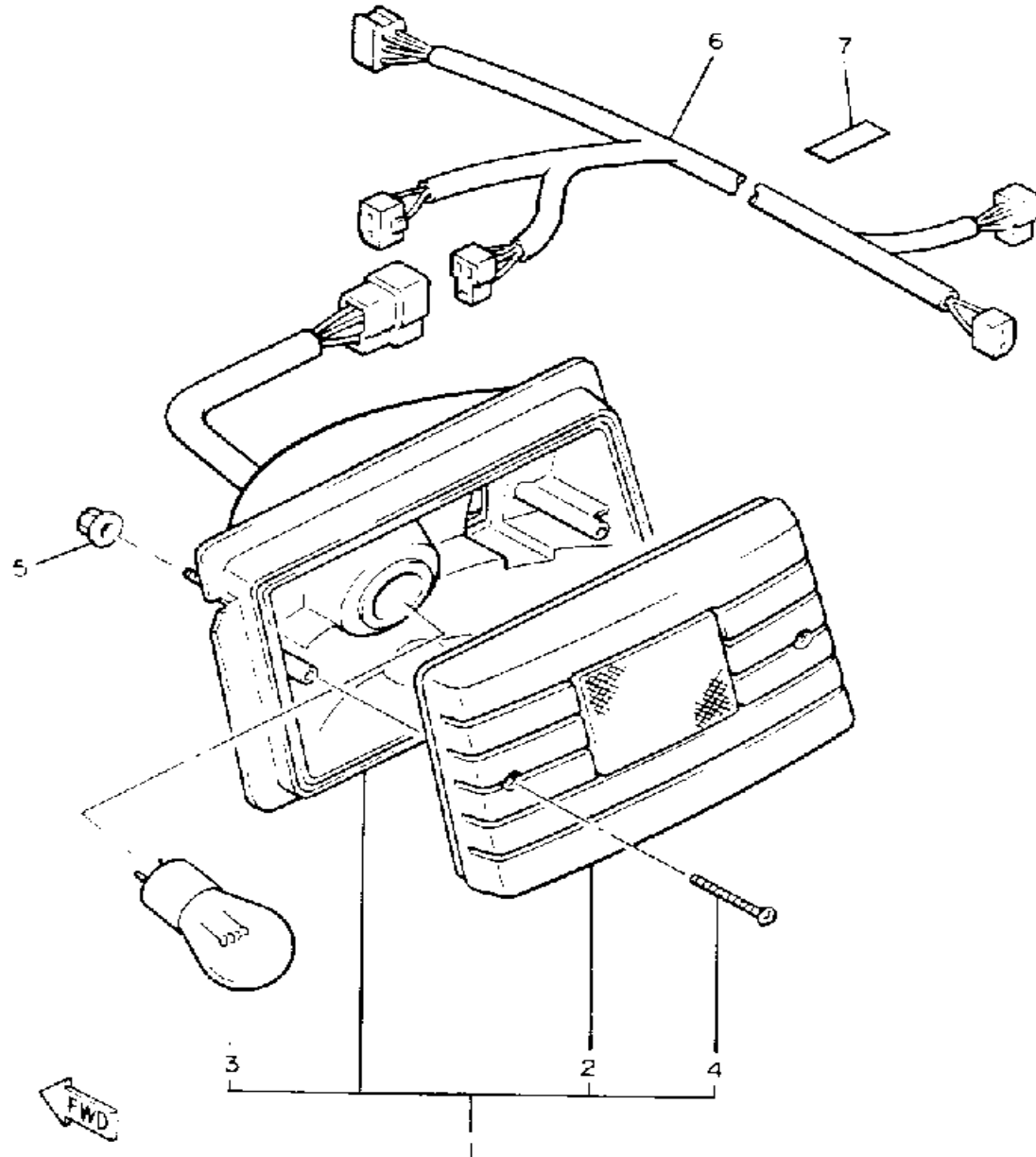
HEADLIGHT



98580 8350

Ref. No.	Part Number	Description	Qty	Remarks
1	J50-84315-00-00	RIM, HEADLIGHT	2	
2	47J-84320-00-00	LENS ASSEMBLY	2	
3	17E-84314-00-00	BULB, HL 12V50/40W (12V-50/40W)	2	
4	341-84393-40-00	HOLDER, BULB	2	
5	46X-84396-00-00	COVER	2	
6	43F-84131-00-00	SCREW, RIM ADJUSTER	4	
7	233-84127-60-00	WASHER, SPECIAL	4	
8	341-84332-60-00	SPRING, SCREW	4	
9	47J-84334-00-00	NUT, ADJUSTING	4	
10	5G2-84324-A0-00	SPRING, REFLECTOR (5G2-84324-00)	2	
11	98580-05010-00	SCREW, PAN HEAD	8	
12	92990-05100-00	WASHER, SPRING	8	

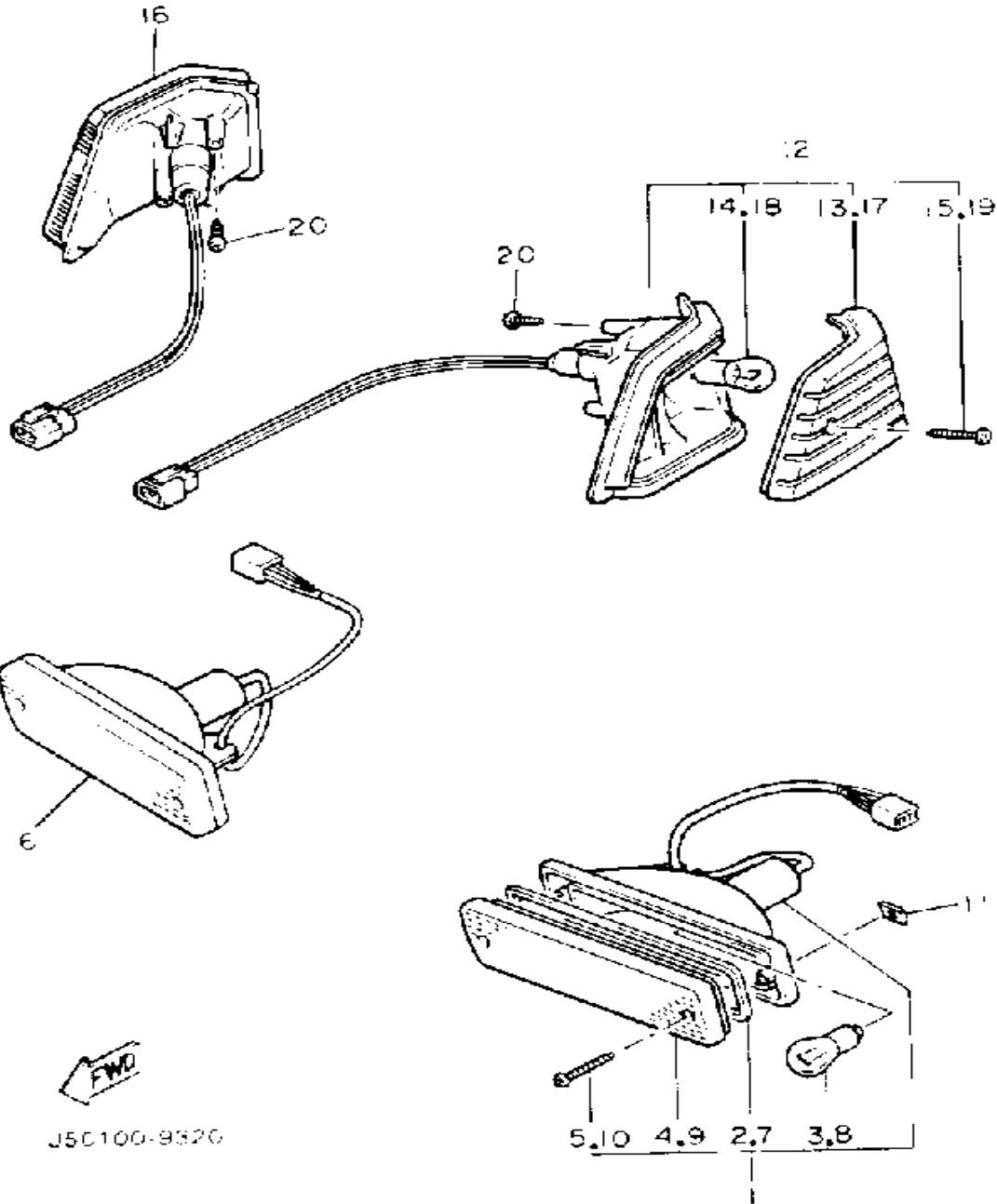
TAILLIGHT



J60100-9340

Ref. No.	Part Number	Description	Qty	Remarks
1	J50-84710-00-00	TAILLIGHT UNIT ASSEMBLY ..	2	
2	25G-84721-01-00	. LENS, TAILLIGHT	1	
3	256-84714-61-00	. BULB (12V-27/8W)	1	
4	97780-40130-00	. SCREW, PANHEAD TAPPING (97701-40130-00)	2	
5	95701-06500-00	NUT, FLANGE	4	
6	J50-84727-00-00	CORD, TAILLIGHT	1	
7	ϕJ4-27717-E0-00	UNAVAILABLE IN PRICE BOOK	4	

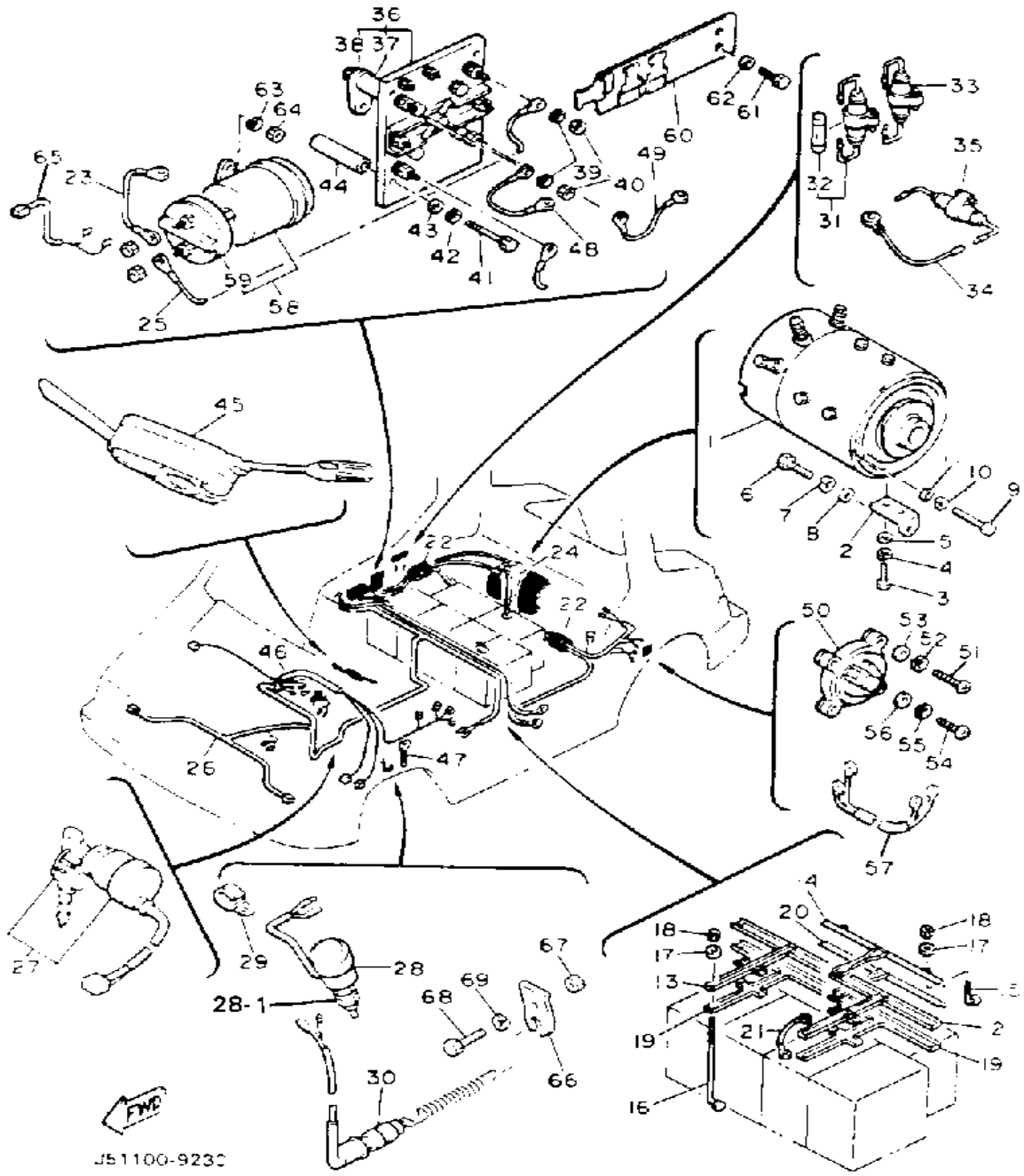
TURNSIGNAL



Ref. No.	Part Number	Description	Qty	Remarks
1	J50-83310-00-00	FRT FLSHR LITE ASSEMBLY LIGHT ASSEMBLY 1	1	
2	J50-83313-00-00	. GASKET, FLSHR LENS	1	
3	137-84714-61-00	. BULB, TL 12V23/8W (J50-83311-00)	1	
4	J50-83312-00-00	. LENS, FLASHER	1	
5	97780-40535-00	. SCREW, TAPPING (FJ1)	2	
6	J50-83320-00-00	FRT FLSHR LITE ASSEMBLY LIGHT ASSEMBLY 2	1	
7	J50-83313-00-00	. GASKET, FLSHR LENS	1	
8	137-84714-61-00	. BULB, TL 12V23/8W (J50-83311-00)	1	
9	J50-83322-00-00	. LENS, FLASHER 2	1	
10	97780-40535-00	. SCREW, TAPPING (FJ1)	2	
11	90183-04058-00	NUT, SPRING	4	
12	25G-83330-00-00	R FLSHR LITE ASSEMBLY	1	
13	25G-83332-00-00	. LENS, FLASHER (L.H)	1	
14	256-83311-70-XX	. BULB, TS 12V27W	1	
15	97780-40130-00	. SCREW, PANHEAD TAPPING (97701-40130-00)	1	
16	25G-83340-00-00	R FLSHR LITE ASSEMBLY	1	
17	25G-83342-00-00	. LENS, FLASHER (R.H)	1	
18	256-83311-70-XX	. BULB, TS 12V27W	1	
19	97780-40130-00	. SCREW, PANHEAD TAPPING (97701-40130-00)	1	
20	97780-60116-00	SCREW, TAPPING	4	

J50100-8320

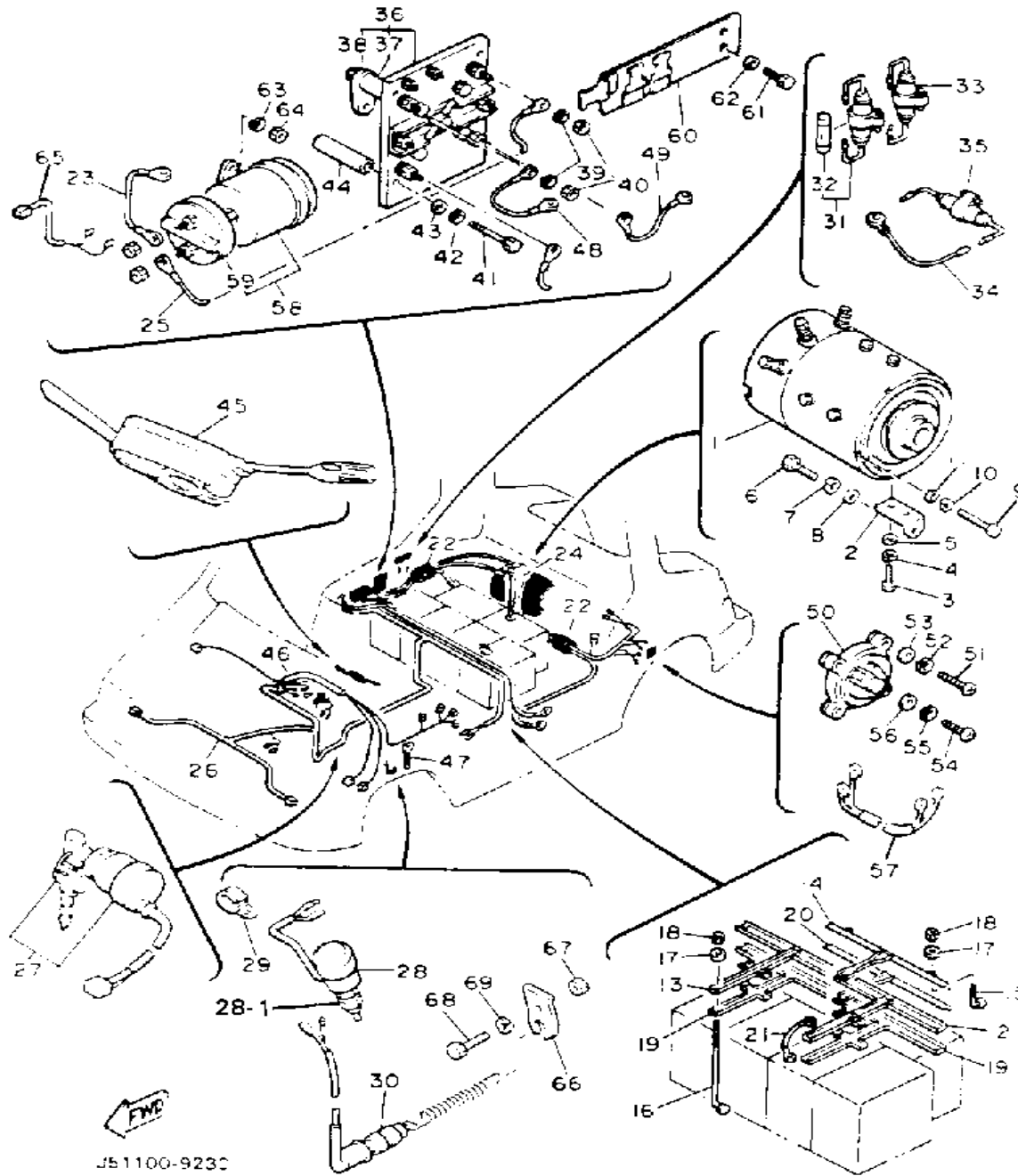
ELECTRICAL 1



Ref. No.	Part Number	Description	Qty	Remarks
1	J51-H1890-01-00	STARTING MOTOR ASSEMBLY	1	J14-81800-10
2	J14-81823-01-00	STAY, STARTING MTR (J14-81823-00)	1	
3	97011-06016-00	BOLT	2	
4	92995-06100-00	WASHER, SPRING	2	
5	92990-06600-00	WASHER, PLATE	2	
6	97011-08016-00	BOLT	1	
7	92990-08100-00	WASHER	1	
8	92990-08600-00	WASHER, PLATE	1	
9	97313-06055-00	BOLT, HEXAGON (97322-06055)	3	
10	92995-06100-00	WASHER, SPRING	3	
11	90201-06643-00	WASHER, PLATE	3	
12	J51-82136-00-00	PLATE, BATT FITTING	1	
13	J51-8213E-00-00	PLATE, BATTERY	1	
14	J51-82158-00-00	BRACKET, BATTERY 2	1	
15	J51-82133-00-00	SCREW, FITTING	2	
16	J51-8213A-00-00	SCREW, FITTING 2	5	
17	90201-06067-00	WASHER, PLATE	7	
18	95701-06500-00	NUT, FLANGE	7	
19	J51-82121-00-00	PAD, BATTERY	2	
20	J51-82126-00-00	PAD, BATTERY	1	
21	J51-H2127-00-00	WIRE, LEAD 2	5	
22	J51-87196-00-00	TUBE 1	2	
23	J51-H2115-00-00	WIRE, PLUS LEAD	1	
24	J51-H2116-00-00	WIRE, MINUS LEAD	1	
25	J51-H2117-00-00	WIRE, LEAD	1	
26	J51-82590-00-00	WIRE HARNESS ASSEMBLY	1	
27	J50-82510-00-00	MAIN SWITCH ASSEMBLY	1	
28	J41-82550-01-00	ENGINE STOP SWITCH ASSEMBLY	1	

CONTINUED ON NEXT FRAME ➤

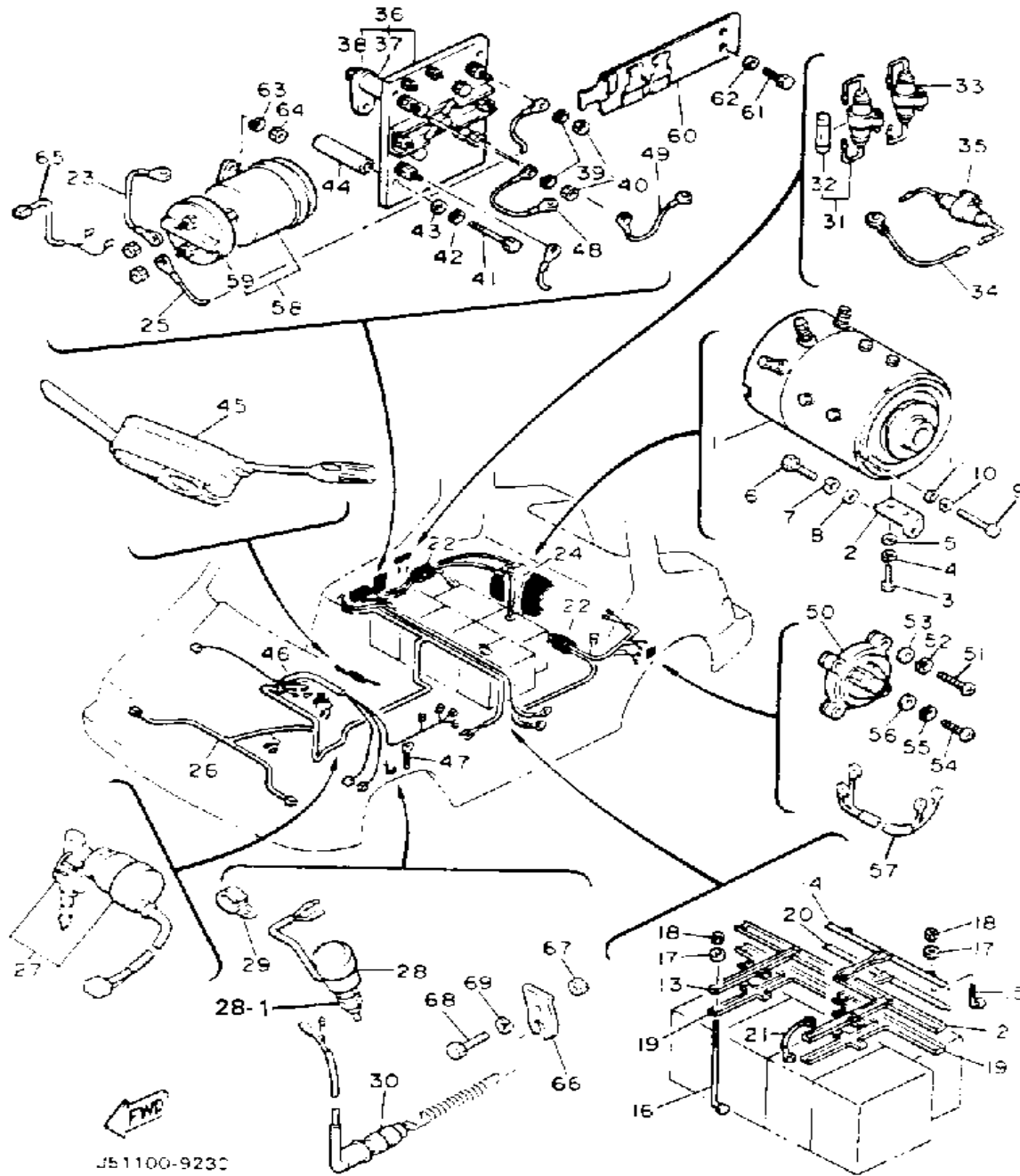
ELECTRICAL 1



Ref. No.	Part Number	Description	Qty	Remarks
29	90465-06038-00	CLAMP	1	
30	J50-82530-01-00	STOP SWITCH ASSEMBLY ...	1	
31	1E6-82150-00-00	FUSE HOLDER ASSEMBLY ...	1	
32	1E6-82151-00-00	. FUSE (10A)	2	
33	J42-82150-50-00	FUSE HOLDER ASSEMBLY ...	1	
34	J42-82318-00-00	WIRE, SUB-LEAD	1	
35	J42-82150-50-00	FUSE HOLDER ASSEMBLY ...	1	
36	J51-82917-00-00	SWITCH	1	
37	90380-10010-00	. BUSH, SOLID	2	
38	J41-82617-00-00	. SWITCH	1	
39	92995-06100-00	WASHER, SPRING	4	
40	95380-06600-00	NUT	4	
41	97313-06055-00	BOLT, HEXAGON (97322-06055)	3	
42	92995-06100-00	WASHER, SPRING	3	
43	92990-06600-00	WASHER, PLATE	3	
44	90387-065V0-00	COLLAR	3	
45	J42-83975-00-00	SWITCH, HANDLE 2	1	
46	J51-82580-00-00	WIRE HARNESS ASSEMBLY 2	1	
47	25G-83936-01-00	BAND, SWITCH CORD	1	
48	J51-H2521-00-00	WIRE, LEAD	1	
49	J51-H2531-00-00	WIRE, LEAD	1	
50	JF3-86181-00-00	RECEPTACLE	1	
51	98506-05035-00	SCREW, PAN HEAD	2	
52	92906-05100-00	WASHER, SPRING	2	
53	92906-05600-00	WASHER, PLATE	2	
54	98586-05016-00	SCREW, PAN HEAD	2	
55	92906-05100-00	WASHER, SPRING	2	
56	92906-05600-00	WASHER, PLATE	2	
57	J51-82105-00-00	WIRE HARNESS	1	

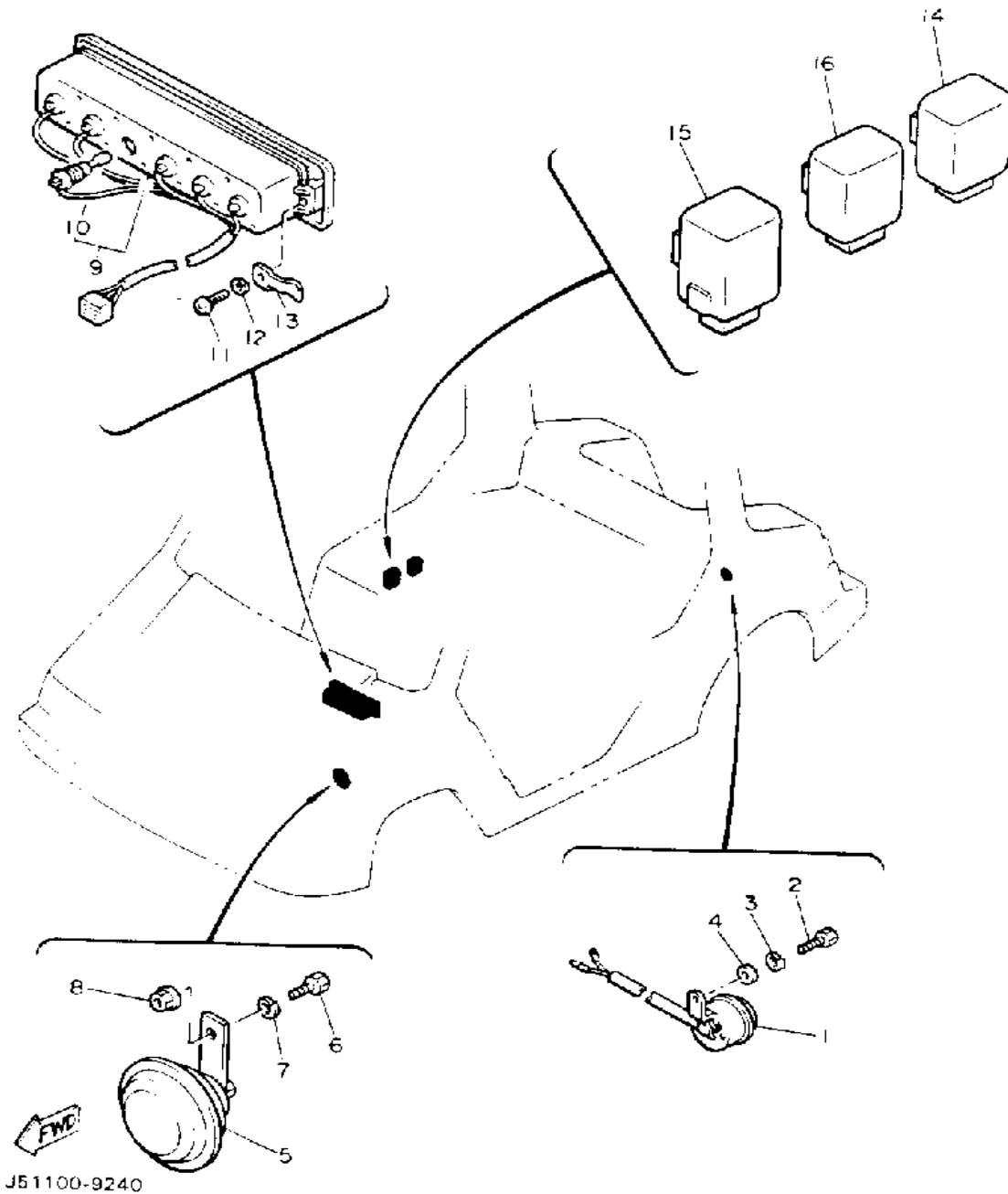
CONTINUED ON NEXT FRAME ►

ELECTRICAL 1



Ref. No.	Part Number	Description	Qty	Remarks
58	J41-81950-00-00	RELAY ASSEMBLY.	1	
59	J41-81920-09-00	. G2A/E SLND RBLDKIT	1	
60	J51-83352-00-00	BRKT, FLNDR RELAY 1	1	
61	97011-06016-00	BOLT	2	
62	92990-06600-00	WASHER, PLATE	2	
63	92990-08100-00	WASHER	2	
64	95303-08700-00	NUT	2	
65	J51-82509-00-00	WIRE, SUB LEAD	1	
66	J13-25656-00-00	BRKT, STOP LT SWCHSTOP LIGHT SWITCH	1	
67	95380-06600-00	NUT	1	
68	97011-06016-00	BOLT	1	
69	92995-06100-00	WASHER, SPRING	1	
28-1	JF2-82532-00-00	. CAP, RUBBER	1	

ELECTRICAL 2



Ref. No.	Part Number	Description	Qty	Remarks
1	J10-83383-02-00	BUZZER	1	
2	97011-06016-00	BOLT	1	
3	92995-06100-00	WASHER, SPRING	1	
4	92990-06600-00	WASHER, PLATE	1	
5	2KR-83371-00-00	HORN	1	
6	97013-06012-00	BOLT	1	
7	92995-06100-00	WASHER, SPRING	1	
8	95702-06600-00	NUT, FLANGE	1	
9	J46-83530-00-00	PILOT LIGHT ASSEMBLY	1	
10	J51-83509-00-00	. SOCKET CORD ASSEMBLY .	1	
11	98580-04010-00	SCREW, PAN HEAD	2	
12	92901-04100-00	WASHER, SPRING	2	
13	J50-83514-00-00	PLATE, FITTING	2	
14	50V-83350-20-00	FLASHER RELAY ASSEMBLY .	1	
15	J42-85590-01-00	CONTROL UNIT ASSEMBLY ..	1	
16	J46-82120-00-00	SENDER, BATTERY	1	