

PARTS CATALOGUE
MODEL YEAR 2004
G27EZ (JU81)

CONTENTS	
ACCELERATOR	B2
BODY	B7-8
BODY 2	B9
BODY FITTING	B10
BRAKE	A10-11
BRAKE 2	A12
BRAKE 3	B1
BUMPER	B6
CARRIER	B11
CONTROLLER 1	C3-4
ELECTRIC MOTOR	C1
ELECTRICAL 1	C5-6
FRAME	A5
FRONT SUSPENSION WHEEL	A6-7
HEADLIGHT	C2
REAR ARM SUSPENSION	A4
REAR AXLE MOUNT WHEEL	B5
SEAT	B12
STEERING	A8-9
TRANSAXLE	B3-4

STARTING SERIAL NO.: JU8-000101 and following

OWNERS	LIT-19626-01-09
ASSEMBLY	LIT-11666-01-09
SERVICE	LIT-11616-01-09

FOREWORD

This Parts Catalogue is related to the parts for the model(s) on the cover page. When you are ordering replacement parts, please refer to this Parts Catalogue and quote both part numbers and part names correctly.

1. Modifications or additions which have been made after the issue of the Parts Catalogue will be announced in the Parts News.
It is advisable that you make the necessary corrections to the Parts Catalogue according to the Parts News.

2. Abbreviations
The following abbreviations are used in this Parts Catalogue.

"UR" Use specified parts number.

"UN" Use as many as needed.

"AP" Alternate Parts

"LM" Locally Made (Parts need to be ordered locally)

"F#" Frame No. (Applicable machine No.)

"O/S" Over Size

3. The number of components for assembly
 - Parts, which are to be supplied in an assembly, are listed with a dot (.) in front of the part name as shown below.
 - The numeral appearing to the right of each component part indicates the quantity of parts for each assembly unit.

PART NO.	DESCRIPTION	Q'TY	REMARKS
2F5-83310-60	FRONT FLASHER LIGHT ASSY	2	
115-83311-60	.BULB (6V-18W)	1	

4. Applicable colours of graphics are represented in the "REMARKS" as shown below.

PART NO.	DESCRIPTION	Q'TY	REMARKS
2N4-24110-00-X5	FUEL TANK COMP.	2	MXR
3J1-24240-10	.GRAPHIC, FUEL TANK	1	FOR MXR

5. Note that the illustrations for reference in finding parts numbers are not to be used for assembling. When assembling, please use the applicable service manual.

6. The asterisk (*) before a reference number indicates modified items after the first edition.

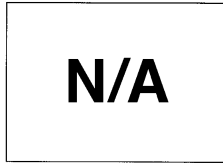
CONTENTS

ACCELERATOR	B2
BODY	B7-8
BODY 2	B9
BODY FITTING	B10
BRAKE	A10-11
BRAKE 2	A12
BRAKE 3	B1
BUMPER	B6
CARRIER	B11
CONTROLLER 1	C3-4
ELECTRIC MOTOR	C1
ELECTRICAL 1	C5-6
FRAME	A5
FRONT SUSPENSION WHEEL	A6-7
HEADLIGHT	C2
REAR ARM SUSPENSION	A4
REAR AXLE MOUNT WHEEL	B5
SEAT	B12
STEERING	A8-9
TRANSAXLE	B3-4

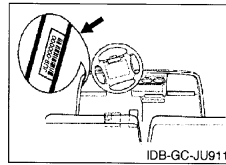
FOREWORD

7. Applicable Serial No.

Engine Serial No.



Frame Serial No.



10. Applicable Starting Serial No.

Frame Serial No.

Serial No.	Name Of Q'ty Column	Model Code
JU8-000101	JU81	JU81

8. Applicable Colour Code (The (*) mark shows Model colour.)

Abbreviation	Colour Name	Colour Code

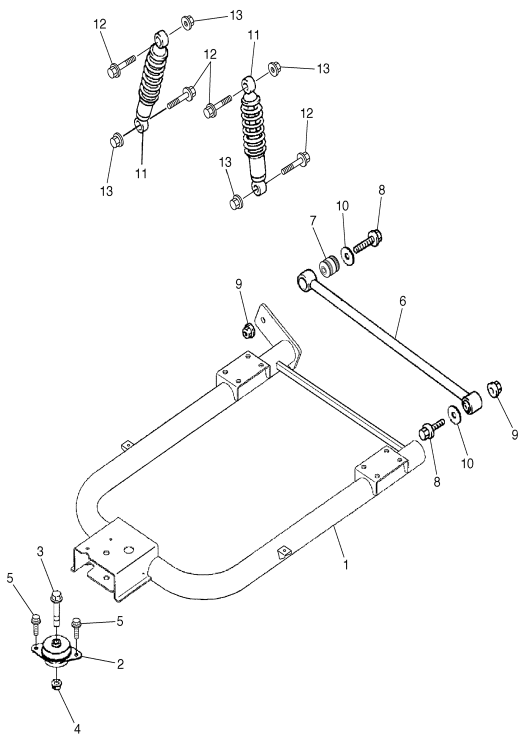
9. Quantity Column Information

Column No.	Name Of Q'ty Column	Destination
1	JU81	U.S.A

CONTENTS

ACCELERATOR	B2
BODY	B7-8
BODY 2	B9
BODY FITTING	B10
BRAKE	A10-11
BRAKE 2	A12
BRAKE 3	B1
BUMPER	B6
CARRIER	B11
CONTROLLER 1	C3-4
ELECTRIC MOTOR	C1
ELECTRICAL 1	C5-6
FRAME	A5
FRONT SUSPENSION WHEEL	A6-7
HEADLIGHT	C2
REAR ARM SUSPENSION	A4
REAR AXLE MOUNT WHEEL	B5
SEAT	B12
STEERING	A8-9
TRANSAXLE	B3-4

REAR ARM SUSPENSION



Ref. No.	Part Number	Description	Qty	Remarks
1	JU8-F2110-00-00	REAR ARM COMP.	1	
2	JN6-F2123-10-00	BUSH 1	1	
3	90105-13864-00	BOLT, FLANGE	1	
4	90179-13878-00	NUT	1	
5	9751P-10620-00	BOLT, WITH WASHER	2	
6	JN6-F217G-00-00	ROD, CONNECTING 2	1	
7	JN6-F2124-10-00	BUSH 2	2	
8	9581P-12065-00	BOLT, FLANGE	2	
9	9560P-12200-00	NUT, FLANGE	2	
10	90201-128S4-00	WASHER, PLATE	2	
11	JU7-F2210-00-00	SHOCK ABSORBER ASSY, REAR	2	
12	95807-10055-00	BOLT, FLANGE	4	
13	95607-10200-00	NUT, U FLANGE	4	

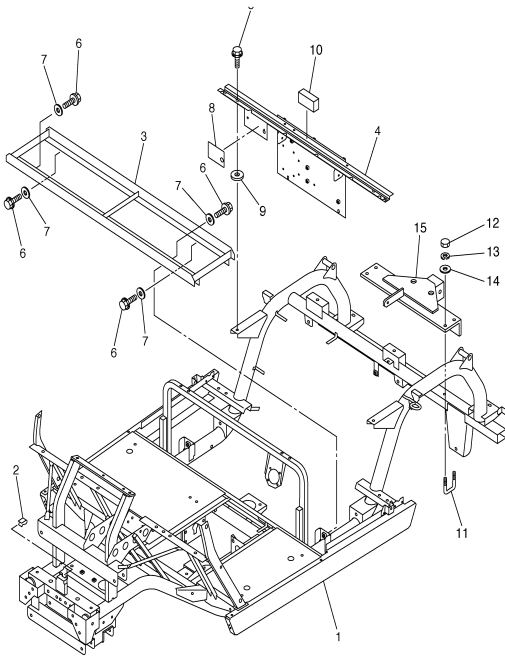
CONTENTS

ACCELERATOR	B2
BODY	B7-8
BODY 2	B9
BODY FITTING	B10
BRAKE	A10-11
BRAKE 2	A12
BRAKE 3	B1
BUMPER	B6
CARRIER	B11
CONTROLLER 1	C3-4
ELECTRIC MOTOR	C1
ELECTRICAL 1	C5-6
FRAME	A5
FRONT SUSPENSION WHEEL	A6-7
HEADLIGHT	C2
REAR ARM SUSPENSION	A4
REAR AXLE MOUNT WHEEL	B5
SEAT	B12
STEERING	A8-9
TRANSAXLE	B3-4



JU81110-C010

FRAME



Ref. No.	Part Number	Description	Qty	Remarks
1	JU8-F2501-00-00	FRAME COMP.	1	
2	JU0-F2567-00-00	SUPPORT 1	1	
3	JU2-F2554-10-00	BASE, BATTERY	1	
4	JU8-F252M-00-00	BRACKET, 3	1	SEE NOTE A
5	9582P-08020-00	BOLT, FLANGE	2	
6	90105-10881-00	BOLT, FLANGE	4	
7	90201-11800-00	WASHER, PLATE	4	
8	JR1-K8298-10-00	PLATE, CAUTION 2	1	SEE NOTE A
9	90201-088S1-00	WASHER, PLATE	2	
10	JU7-F4145-00-00	DAMPER, SIDE COVER	1	
11	90109-10862-00	BOLT	2	
12	90170-10847-00	NUT	4	
13	9290P-10100-00	WASHER	4	
14	9290P-10200-00	WASHER	4	
15	JW4-F722B-00-00	BAR, TOW	1	

CONTENTS

ACCELERATOR	B2
BODY	B7-8
BODY FITTING	B9
BRAKE	B10
BRAKE 2	A10-11
BRAKE 3	A12
BUMPER	B1
CARRIER	B6
CONTROLLER 1	B11
ELECTRIC MOTOR	C3-4
ELECTRICAL 1	C1
FRAME	C5-6
FRONT SUSPENSION WHEEL	A5
HEADLIGHT	A6-7
REAR ARM SUSPENSION	C2
REAR AXLE MOUNT WHEEL	A4
SEAT	B5
STEERING	B2
TRANSAXLE	A8-9
	B3-4

NOTE A: WHEN REPLACING "BRACKET, 3 JU8-F252M-00-00", YOU MUST ALSO REPLACE "PLATE, CAUTION 2 JR1-K8298-00-00".

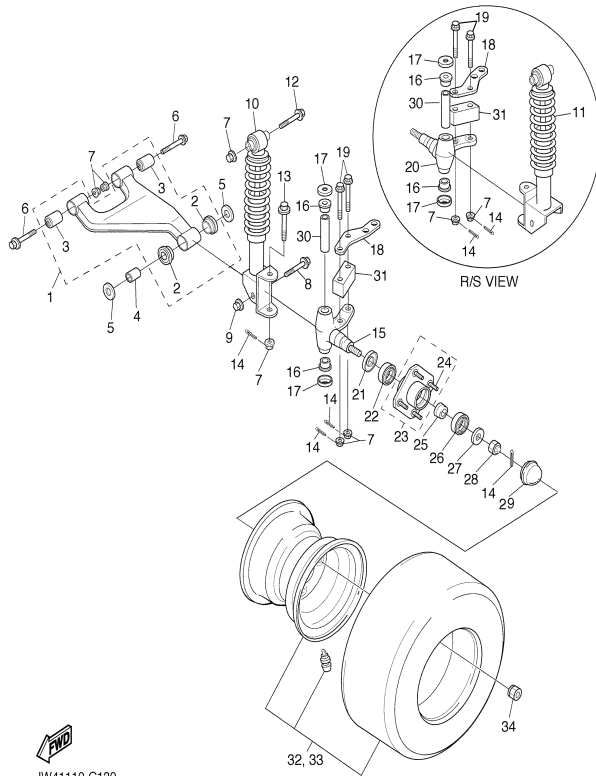


FRONT SUSPENSION WHEEL

Ref. No.	Part Number	Description	Qty	Remarks
1	JU0-F3570-20-00	FRONT LOWER ARM COMP.	2	
2	90381-18001-00	. .BUSH, SOLID	2	
3	2HR-23526-00-00	. .BUSH	2	
4	90387-12016-00	COLLAR	2	
5	401-22128-01-00	COVER, THRUST 1	4	
6	90105-10890-00	BOLT, FLANGE	4	
7	95607-10200-00	NUT, U FLANGE	12	
8	95817-12080-00	BOLT, FLANGE	2	
9	9561P-12100-00	NUT	2	
10	JU7-F3350-00-00	SHOCK ABSORBER ASSY	1	LH
11	JU7-F3390-00-00	SHOCK ABSORBER ASSY 2	1	RH
12	95807-10065-00	BOLT, FLANGE	2	
13	90105-10064-00	BOLT, FLANGE	2	
14	91401-25020-00	PIN, COTTER	8	
15	JU0-F3511-00-00	KNUCKLE, STEERING 1	1	
16	90381-17067-00	.BUSH, SOLID	4	
17	2NL-23517-00-00	COVER, THRUST 1	4	
18	JU7-F3512-00-00	ARM, KNUCKLE 1	2	
19	90105-10774-00	BOLT, FLANGE	4	
20	JU0-F3521-00-00	KNUCKLE, STEERING 2	1	
21	93102-30083-00	OIL SEAL	2	
22	93306-204X0-00	BEARING	2	
23	JG5-WF511-10-00	HUB, FRONT	2	
24	90114-12800-00	. .BOLT, SERRATION	4	
25	90387-241M7-00	COLLAR	2	
26	93306-005Y3-00	BEARING	2	
27	90209-32832-00	WASHER	2	
28	95607-14100-00	NUT, U	2	
29	JN6-F5118-00-00	COVER, HUB DUST	2	
30	2NL-23448-00-00	SPACER	2	

CONTENTS

ACCELERATOR	B2
BODY	B7-8
BODY 2	B9
BODY FITTING	B10
BRAKE	A10-11
BRAKE 2	A12
BRAKE 3	B1
BUMPER	B6
CARRIER	B11
CONTROLLER 1	C3-4
ELECTRIC MOTOR	C1
ELECTRICAL 1	C5-6
FRAME	A5
FRONT SUSPENSION WHEEL	A6-7
HEADLIGHT	A2
REAR ARM SUSPENSION	A4
REAR AXLE MOUNT WHEEL	B5
SEAT	B12
STEERING	A8-9
TRANSAXLE	B3-4



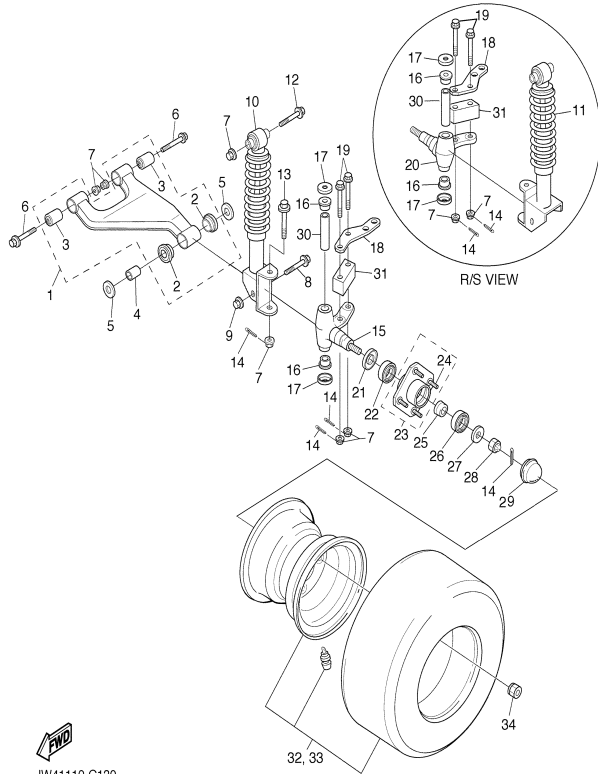
CONTINUED ON NEXT FRAME ►

FRONT SUSPENSION WHEEL

Ref. No.	Part Number	Description	Qty	Remarks
31	JU7-F3118-00-00	SPACER	2	
32	JU7-F5100-00-00	WHEEL ASSY (20X10-8 4PLY 224)	1	UR DURO TURF, LH
	JU7-F5100-10-00	WHEEL ASSY (20X10-8/4/244)	1	UR DURO DESERT, LH
33	JU7-F5100-00-00	WHEEL ASSY (20X10-8 4PLY 224)	1	UR DURO TURF, RH
	JU7-F5109-10-00	WHEEL ASSY., 2 (20X10-8/4/244)	1	UR DURO DESERT, RH
34	90179-12262-00	NUT	8	

CONTENTS

ACCELERATOR	B2
BODY	B7-8
BODY 2	B9
BODY FITTING	B10
BRAKE	A10-11
BRAKE 2	A12
BRAKE 3	B1
BUMPER	B6
CARRIER	B11
CONTROLLER 1	C3-4
ELECTRIC MOTOR	C1
ELECTRICAL 1	C5-6
FRAME	A5
FRONT SUSPENSION WHEEL	A6-7
HEADLIGHT	C2
REAR ARM SUSPENSION	A4
REAR AXLE MOUNT WHEEL	B5
SEAT	B12
STEERING	A8-9
TRANSAXLE	B3-4



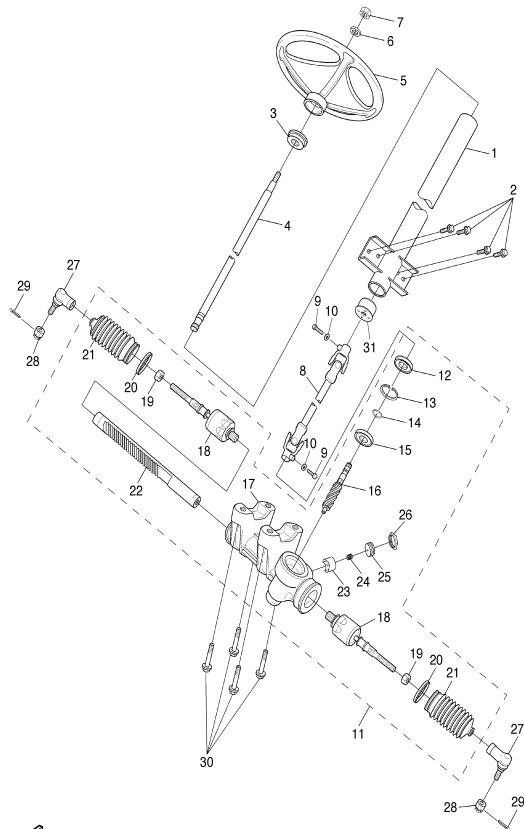
JW41110-C130

STEERING

Ref. No.	Part Number	Description	Qty	Remarks
1	JU0-F3811-00-00	COLUMN, STEERING	1	
2	9581P-08016-00	BOLT, FLANGE	4	
3	JN3-F3814-00-00	HOLDER, HANDLE UPPER	1	
4	JU0-F3828-00-00	ROD, STEERING	1	
5	JN3-F3838-00-00	WHEEL, STEERING	1	
6	9290P-12200-00	WASHER	1	
7	90185-12061-00	NUT, SELF-LOCKING	1	
8	JU0-F3822-00-00	JOINT 1	1	
9	97017-08030-00	BOLT	2	
10	92907-08600-00	.WASHER, PLATE	2	
11	JU7-F3400-00-00	STEERING ASSY	1	
12	JU0-F3844-00-00	.SEAL	1	
13	JU0-F387J-00-00	.RING, STOPPER	1	
14	JU0-F3183-00-00	.CIRCLIP	1	
15	JU0-F339Y-00-00	.BEARING	1	
16	JU0-F387A-00-00	.GEAR, PINION	1	
17	JU0-F620A-01-00	.HOUSING COMP.	1	
18	JU7-F3837-00-00	.ROD, TIE 2	2	
19	JU0-F3833-00-00	.NUT 1	2	
20	JU0-F1338-00-00	.CLAMP	2	
21	JU0-F3848-00-00	.BOOT	2	
22	JU0-F387E-00-00	.GEAR, RACK	1	
23	JU0-F387F-00-00	.PAD, PRESSURE	1	
24	JU0-F387K-00-00	.SPRING, PRESSURE	1	
25	JU0-F387G-00-00	.COVER, ADJUST	1	
26	JU0-F3834-00-00	.NUT 2	1	
27	JU0-F3841-00-00	JOINT, UNIVERSAL 1	2	
28	95607-12200-00	NUT, SELF-LOCKING	2	
29	91401-25020-00	PIN, COTTER	2	
30	90105-10810-00	BOLT, FLANGE	4	

CONTENTS

ACCELERATOR	B2
BODY	B7-8
BODY 2	B9
BODY FITTING	B10
BRAKE	A10-11
BRAKE 2	A12
BRAKE 3	B1
BUMPER	B6
CARRIER	B11
CONTROLLER 1	C3-4
ELECTRIC MOTOR	C1
ELECTRICAL 1	C5-6
FRAME	A5
FRONT SUSPENSION WHEEL	A6-7
HEADLIGHT	C2
REAR ARM SUSPENSION	A4
REAR AXLE MOUNT WHEEL	B5
SEAT	B12
STEERING	A8-9
TRANSAXLE	B3-4



JU71110-C140

CONTINUED ON NEXT FRAME ►

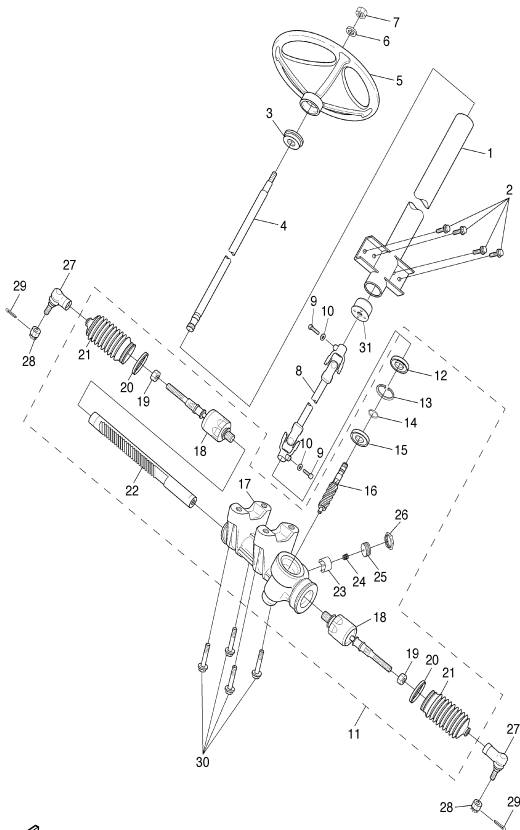
STEERING

Ref. No.	Part Number	Description	Qty	Remarks
----------	-------------	-------------	-----	---------

31	JU0-F3857-00-00	HOLDER	1	
----	-----------------	--------------	---	--

CONTENTS

ACCELERATOR	B2
BODY	B7-8
BODY 2	B9
BODY FITTING	B10
BRAKE	A10-11
BRAKE 2	A12
BRAKE 3	B1
BUMPER	B6
CARRIER	B11
CONTROLLER 1	C3-4
ELECTRIC MOTOR	C1
ELECTRICAL 1	C5-6
FRAME	A5
FRONT SUSPENSION WHEEL	A6-7
HEADLIGHT	C2
REAR ARM SUSPENSION	A4
REAR AXLE MOUNT WHEEL	B5
SEAT	B12
STEERING	A8-9
TRANSAXLE	B3-4



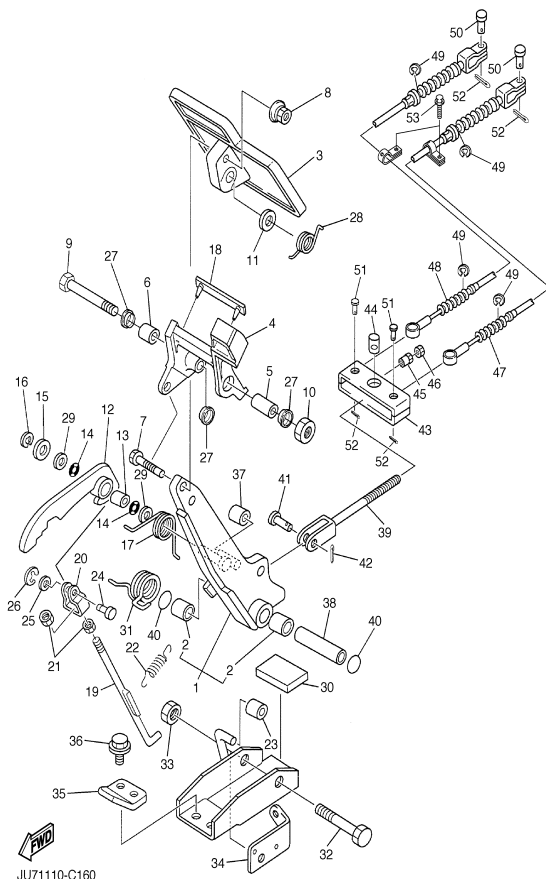
JU71110-C140

BRAKE

Ref. No.	Part Number	Description	Qty	Remarks
1	J46-27250-03-00	BRAKE ARM COMP.	1	
2	90384-14080-00	. BUSH, BIMETAL FORMED ...	2	
3	JU0-27211-01-00	PEDAL, BRAKE	1	
4	JU0-25671-00-00	PEDAL, PARKING BRAKE	1	
5	90387-08014-00	COLLAR	1	
6	90387-08013-00	COLLAR	1	
7	97027-06035-00	BOLT	1	
8	90179-07564-00	NUT	1	
9	97027-08100-00	BOLT	1	
10	95307-08600-00	NUT	1	
11	92907-08200-00	WASHER	1	
12	J17-25666-02-00	SECTOR, PARKING BRAKE ..	1	
13	90384-10162-00	BUSH, BIMETAL FORMED	1	
14	J17-27221-00-00	SEAL, SHAFT	2	
15	92907-10600-00	WASHER, PLATE	1	
16	99001-07600-00	CIRCLIP	1	
17	90508-14548-00	SPRING, TORSION	1	
18	J17-25672-01-00	PAD, PARKING PEDAL	1	
19	J17-27231-03-00	ROD, BRAKE	1	
20	J17-27232-00-00	END, ROD 2	1	
21	95307-06700-00	NUT	2	
22	90506-09001-00	SPRING, TENSION	1	
23	J17-25673-00-00	DAMPER, BRAKE	1	
24	J17-27228-00-00	PIN, JOINT	1	
25	92907-05600-00	WASHER, PLATE	1	
26	99001-04600-00	CIRCLIP	1	
27	90387-12009-00	COLLAR	3	
28	90508-32015-00	SPRING, TORSION	1	
29	90201-104G8-00	WASHER, PLATE	2	
30	JN3-F7245-00-00	PAD, BRAKE PEDAL	1	

CONTENTS

ACCELERATOR	B2
BODY	B7-8
BODY 2	B9
BODY FITTING	B10
BRAKE	A10-11
BRAKE 2	A12
BRAKE 3	B1
BUMPER	B6
CARRIER	B11
CONTROLLER 1	C3-4
ELECTRIC MOTOR	C1
ELECTRICAL 1	C5-6
FRAME	A5
FRONT SUSPENSION WHEEL	A6-7
HEADLIGHT	C2
REAR ARM SUSPENSION	A4
REAR AXLE MOUNT WHEEL	B5
SEAT	B12
STEERING	A8-9
TRANSAXLE	B3-4



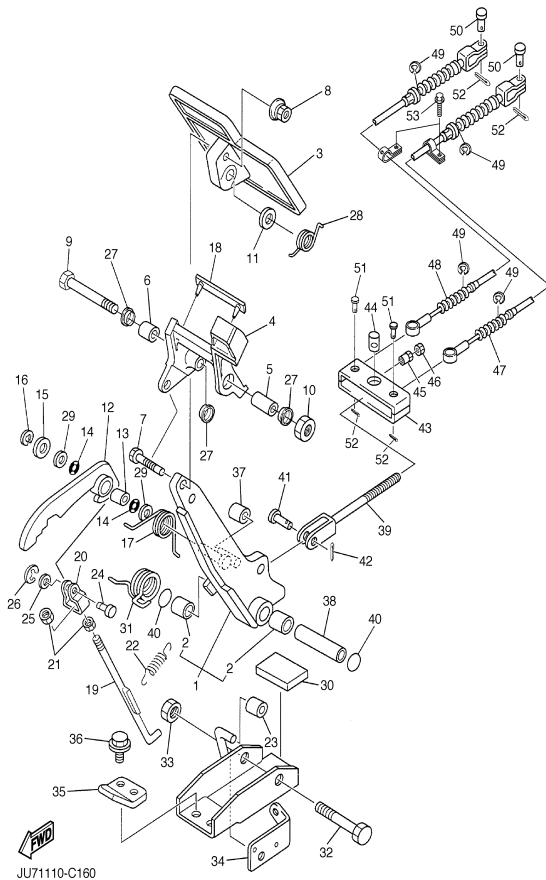
CONTINUED ON NEXT FRAME ►

BRAKE

Ref. No.	Part Number	Description	Qty	Remarks
31	90508-40007-00	SPRING, TORSION	1	
32	90101-10884-00	BOLT	1	
33	95607-10200-00	NUT, U FLANGE	1	
34	J55-2252M-00-00	BRACKET, 3	1	
35	J17-27246-00-00	NAIL, BRAKE	1	
36	90105-08878-00	BOLT, FLANGE	2	
37	J17-25673-00-00	DAMPER, BRAKE	1	
38	90387-107F8-00	COLLAR	1	
39	JN6-F5685-00-00	ROD	1	
40	93210-132A8-00	O-RING	2	
41	91701-10022-00	PIN, CLEVIS	1	
42	91490-30015-00	PIN, COTTER	1	
43	JN6-F5681-00-00	EQUALIZER, BRAKE	1	
44	90249-14129-00	PIN	1	
45	90179-08894-00	NUT	1	
46	95307-08700-00	NUT	1	
47	JU7-F6341-00-00	CABLE, BRAKE	1	
48	JU7-F6351-00-00	CABLE, BRAKE	1	
49	99001-09600-00	CIRCLIP	4	
50	91701-08018-00	PIN, CLEVIS	2	
51	91701-08026-00	PIN, CLEVIS	2	
52	91490-25015-00	PIN, COTTER	4	
53	90105-06876-00	BOLT, FLANGE	2	

CONTENTS

ACCELERATOR	B2
BODY	B7-8
BODY 2	B9
BODY FITTING	B10
BRAKE	A10-11
BRAKE 2	A12
BRAKE 3	B1
BUMPER	B6
CARRIER	B11
CONTROLLER 1	C3-4
ELECTRIC MOTOR	C1
ELECTRICAL 1	C5-6
FRAME	A5
FRONT SUSPENSION WHEEL	A6-7
HEADLIGHT	C2
REAR ARM SUSPENSION	A4
REAR AXLE MOUNT WHEEL	B5
SEAT	B12
STEERING	A8-9
TRANSAXLE	B3-4

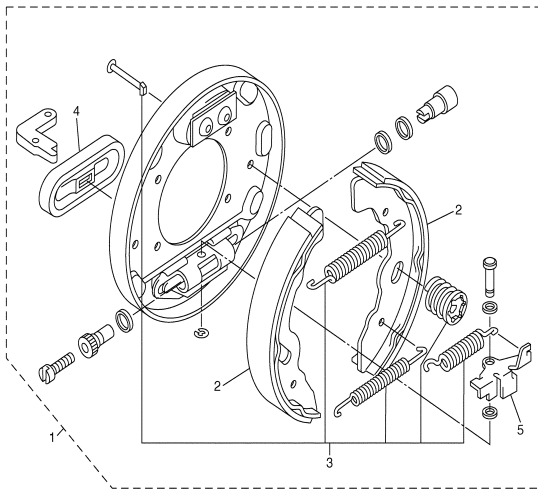


BRAKE 2

Ref. No.	Part Number	Description	Qty	Remarks
1	JN6-F7290-03-00	BACKING PLATE ASSY 2	1	(L.H)
2	JN6-F5331-01-00	.SHOE, BRAKE 1	2	
3	JN6-F819G-00-00	.REPAIR PARTS KIT	1	
4	JN6-F7286-00-00	.COVER, DUST	1	
5	JN6-F722E-00-00	.LEVER, ADJUSTOR (LH)	1	

CONTENTS

ACCELERATOR	B2
BODY	B7-8
BODY 2	B9
BODY FITTING	B10
BRAKE	A10-11
BRAKE 2	A12
BRAKE 3	B1
BUMPER	B6
CARRIER	B11
CONTROLLER 1	C3-4
ELECTRIC MOTOR	C1
ELECTRICAL 1	C5-6
FRAME	A5
FRONT SUSPENSION WHEEL	A6-7
HEADLIGHT	C2
REAR ARM SUSPENSION	A4
REAR AXLE MOUNT WHEEL	B5
SEAT	B12
STEERING	A8-9
TRANSAXLE	B3-4



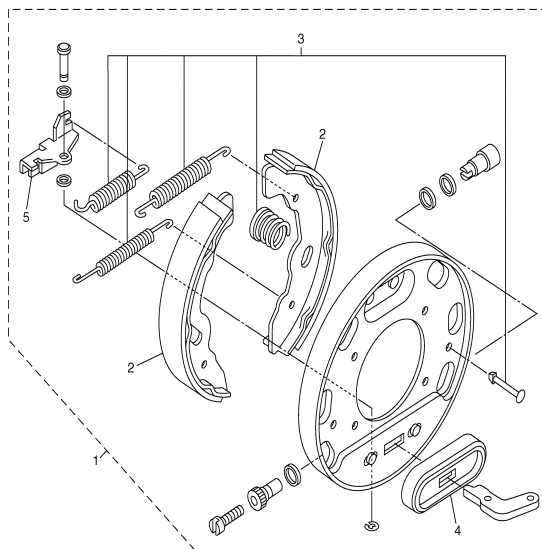
JT71010-B160

BRAKE 3

Ref. No.	Part Number	Description	Qty	Remarks
1	JN6-F7280-03-00	BACKING PLATE ASSY 1	1	(R.H)
2	JN6-F5341-01-00	.SHOE, BRAKE 2	2	
3	JN6-F819G-00-00	.REPAIR PARTS KIT	1	
4	JN6-F7286-00-00	.COVER, DUST	1	
5	JN6-F722F-00-00	.LEVER, ADJUSTOR (RH)	1	

CONTENTS

ACCELERATOR	B2
BODY	B7-8
BODY 2	B9
BODY FITTING	B10
BRAKE	A10-11
BRAKE 2	A12
BRAKE 3	B1
BUMPER	B6
CARRIER	B11
CONTROLLER 1	C3-4
ELECTRIC MOTOR	C1
ELECTRICAL 1	C5-6
FRAME	A5
FRONT SUSPENSION WHEEL	A6-7
HEADLIGHT	C2
REAR ARM SUSPENSION	A4
REAR AXLE MOUNT WHEEL	B5
SEAT	B12
STEERING	A8-9
TRANSAXLE	B3-4



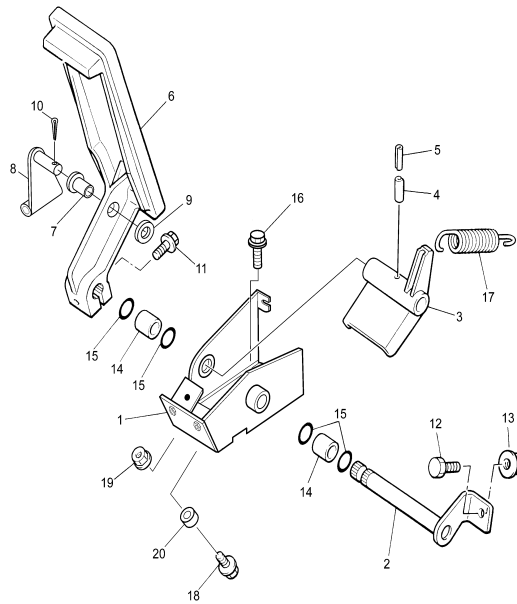
JT71010-B170

ACCELERATOR

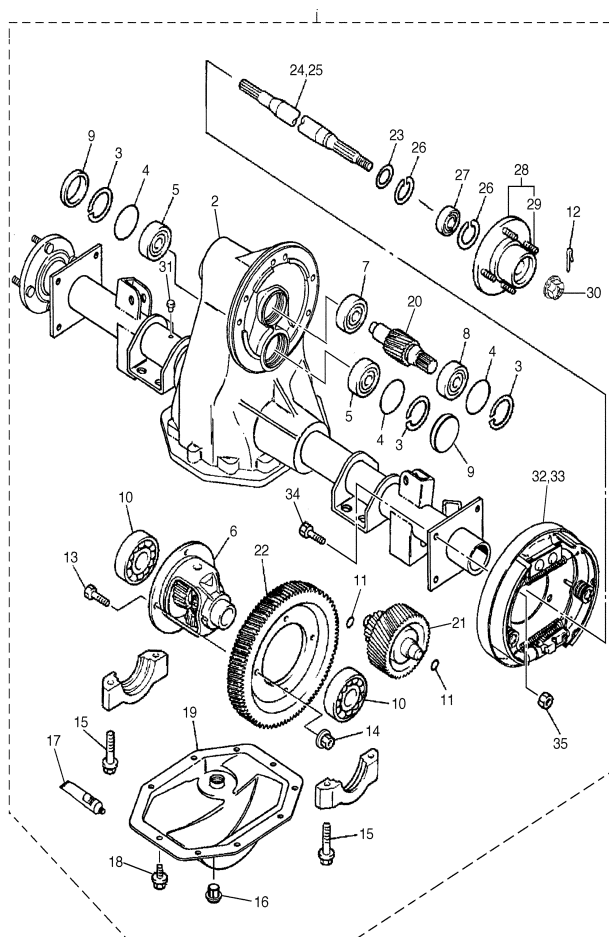
Ref. No.	Part Number	Description	Qty	Remarks
1	JN6-F7874-01-00	BRACKET, ACCELERATOR PEDAL	1	
2	J17-27853-01-00	SHAFT, PEDAL 1	1	
3	J22-27872-00-00	ARM, ACCELERATOR PEDAL .	1	
4	91609-60028-00	PIN, SPRING	1	
5	91609-35028-00	PIN, SPRING	1	
6	JF3-27871-00-00	PEDAL, ACCELERATOR	1	
7	90381-06033-00	BUSH, SOLID	1	
8	J14-27815-00-00	LEVER, CRANK PEDAL	1	
9	9290P-06600-00	WASHER	1	
10	91401-20012-00	PIN, COTTER	1	
11	95807-06025-00	BOLT, FLANGE	1	
12	90106-08806-00	BOLT	1	
13	95707-08500-00	NUT, FLANGE	1	
14	90384-14080-00	BUSH, BIMETAL FORMED	2	
15	93210-14104-00	O-RING	4	
16	90105-08878-00	BOLT, FLANGE	3	
17	90506-26282-00	SPRING, TENSION	1	
18	95807-06025-00	BOLT, FLANGE	1	
19	95707-06500-00	NUT, FLANGE	1	
20	90387-068T4-00	COLLAR	1	

CONTENTS

ACCELERATOR	B2
BODY	B7-8
BODY 2	B9
BODY FITTING	B10
BRAKE	A10-11
BRAKE 2	A12
BRAKE 3	B1
BUMPER	B6
CARRIER	B11
CONTROLLER 1	C3-4
ELECTRIC MOTOR	C1
ELECTRICAL 1	C5-6
FRAME	A5
FRONT SUSPENSION WHEEL	A6-7
HEADLIGHT	C2
REAR ARM SUSPENSION	A4
REAR AXLE MOUNT WHEEL	B5
SEAT	B12
STEERING	A8-9
TRANSAXLE	B3-4



JU2100-5080



TRANSAXLE

Ref. No.	Part Number	Description	Qty	Remarks
1	JR1-G6300-05-00	TRANS AXLE ASSY	1	
2	JR1-G6310-20-00	.CASE ASSY	1	
3	93420-50804-00	.CIRCLIP	3	
4	93210-478B8-00	.O-RING	3	
5	93306-303Y6-00	.BEARING	2	
6	JN6-G6410-00-00	.DIFFERENTIAL ASSY.	1	
7	93306-203X1-00	.BEARING	1	
8	93306-005Y1-00	.BEARING	1	
9	JH7-G3396-01-00	.PLUG, BLIND	2	
10	93306-007Y0-00	.BEARING	2	
11	93210-148B9-00	.O-RING	2	
12	91490-25025-00	.PIN, COTTER	2	
13	90101-10854-00	.BOLT	4	
14	90170-10840-00	.NUT	4	
15	90105-10840-00	.BOLT, FLANGE	4	
16	JN3-G6432-00-00	.STOPPER	1	
17	JH7-G6136-00-00	.SEAL 1	1	
18	90101-08856-00	.BOLT	10	
19	JR1-G6312-11-00	.CASE, TRANSMISSION 2	1	
20	JH7-G6321-00-00	.SHAFT, INPUT	1	
21	JR1-G6350-00-00	.COUNTER GEAR ASSY	1	
22	JH7-G6421-00-00	.GEAR, RING	1	
23	93101-24822-00	.OIL SEAL	2	
24	JR1-G6512-00-00	.SHAFT, REAR AXLE 2 (R.H)	1	
25	JR1-G6511-00-00	.SHAFT, REAR AXLE 1 (L.H)	1	
26	93420-44805-00	.CIRCLIP	4	
27	93306-004X5-00	.BEARING	2	
28	JN3-G6514-00-00	.HUB, REAR AXLE	2	
29	90114-12804-00	...BOLT, SERRATION	4	
30	90185-16833-00	.NUT, SELF-LOCKING	2	

CONTENTS

ACCELERATOR	B2
BODY	B7-8
BODY 2	B9
BODY FITTING	B10
BRAKE	A10-11
BRAKE 2	A12
BRAKE 3	B1
BUMPER	B6
CARRIER	B11
CONTROLLER 1	C3-4
ELECTRIC MOTOR	C1
ELECTRICAL 1	C5-6
FRAME	A5
FRONT SUSPENSION WHEEL	A6-7
HEADLIGHT	C2
REAR ARM SUSPENSION	A4
REAR AXLE MOUNT WHEEL	B5
SEAT	B12
STEERING	A8-9
TRANSAXLE	B3-4

CONTINUED ON NEXT FRAME ►



JU81110-C090

G27-E

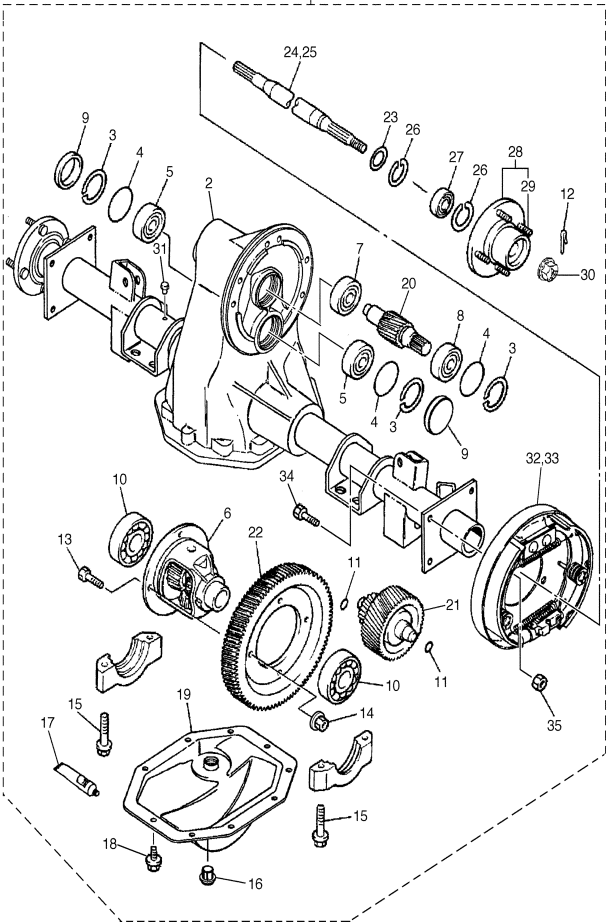
B3

TRANSAXLE

Ref. No.	Part Number	Description	Qty	Remarks
31	JH7-G5619-00-00	.CAP	1	
32	JN6-F7280-03-00	. BACKING PLATE ASSY 1 ...	1	SEE BRAKE 3 (R.H)
33	JN6-F7290-03-00	. BACKING PLATE ASSY 2 ...	1	SEE BRAKE 2 (L.H)
34	90101-08855-00	.BOLT	8	
35	90170-08841-00	.NUT	8	

CONTENTS

ACCELERATOR	B2
BODY	B7-8
BODY 2	B9
BODY FITTING	B10
BRAKE	A10-11
BRAKE 2	A12
BRAKE 3	B1
BUMPER	B6
CARRIER	B11
CONTROLLER 1	C3-4
ELECTRIC MOTOR	C1
ELECTRICAL 1	C5-6
FRAME	A5
FRONT SUSPENSION WHEEL	A6-7
HEADLIGHT	C2
REAR ARM SUSPENSION	A4
REAR AXLE MOUNT WHEEL	B5
SEAT	B12
STEERING	A8-9
TRANSAXLE	B3-4



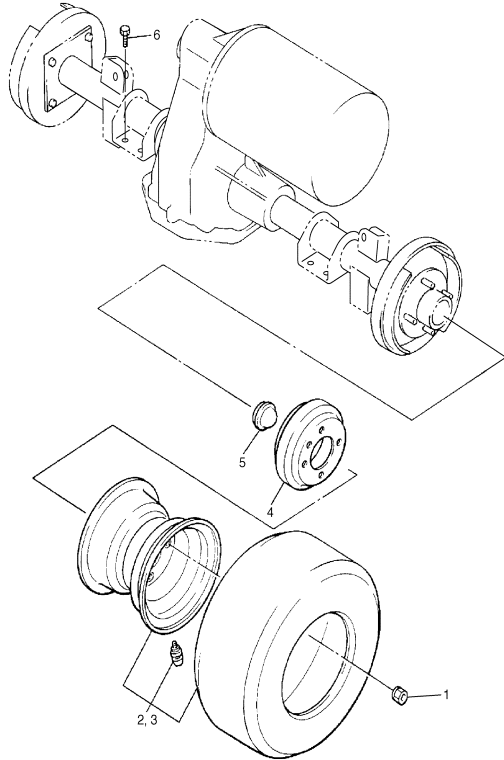
 JU81110-C090

REAR AXLE MOUNT WHEEL

Ref. No.	Part Number	Description	Qty	Remarks
1	90179-12262-00	NUT	8	
2	JU7-F5100-00-00	WHEEL ASSY (20X10-8 4PLY 224)	1	UR DURO TURF, LH
	JU7-F5100-10-00	WHEEL ASSY (20X10-8/4/244) .	1	UR DURO DESERT, LH
3	JU7-F5100-00-00	WHEEL ASSY (20X10-8 4PLY 224)	1	UR DURO TURF, RH
	JU7-F5109-10-00	WHEEL ASSY., 2 (20X10-8/4/244)	1	UR DURO DESERT, RH
4	J55-G6521-10-00	DRUM	2	
5	JN6-F5118-00-00	COVER, HUB DUST	2	
6	9751P-10620-00	BOLT, WITH WASHER	8	

CONTENTS

ACCELERATOR	B2
BODY	B7-8
BODY 2	B9
BODY FITTING	B10
BRAKE	A10-11
BRAKE 2	A12
BRAKE 3	B1
BUMPER	B6
CARRIER	B11
CONTROLLER 1	C3-4
ELECTRIC MOTOR	C1
ELECTRICAL 1	C5-6
FRAME	A5
FRONT SUSPENSION WHEEL	A6-7
HEADLIGHT	C2
REAR ARM SUSPENSION	A4
REAR AXLE MOUNT WHEEL	B5
SEAT	B12
STEERING	A8-9
TRANSAXLE	B3-4



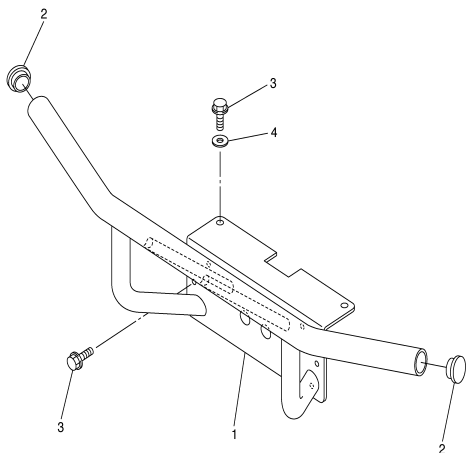
JU81110-C100

BUMPER

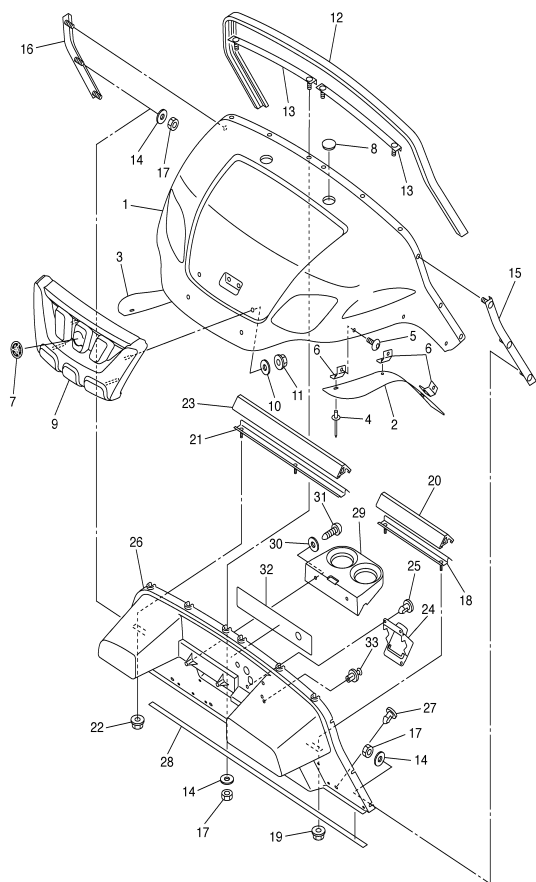
Ref. No.	Part Number	Description	Qty	Remarks
1	JU7-F845N-00-00	BAR, CARRY FRONT	1	
2	5UG-F2417-00-00	PLUG	2	
3	9581P-08016-00	BOLT, FLANGE	6	
4	90201-088P7-00	WASHER, PLATE	2	

CONTENTS

ACCELERATOR	B2
BODY	B7-8
BODY 2	B9
BODY FITTING	B10
BRAKE	A10-11
BRAKE 2	A12
BRAKE 3	B1
BUMPER	B6
CARRIER	B11
CONTROLLER 1	C3-4
ELECTRIC MOTOR	C1
ELECTRICAL 1	C5-6
FRAME	A5
FRONT SUSPENSION WHEEL	A6-7
HEADLIGHT	C2
REAR ARM SUSPENSION	A4
REAR AXLE MOUNT WHEEL	B5
SEAT	B12
STEERING	A8-9
TRANSAXLE	B3-4



JU71110-C260



NOTE A: WHEN REPLACING "PANEL, FRONT JU8-K8114-00-00", YOU MUST ALSO REPLACE "LABEL, WARNING 1 JU8-K7761-00-00".

BODY

Ref. No.	Part Number	Description	Qty	Remarks
1	JU7-K811A-00-00	TRIM, UPPER COWL	1	
2	JR6-F1551-00-00	FENDER, OVER	1	
3	JR6-F1555-00-00	FENDER, OVER 2	1	
4	90267-48831-00	RIVET, BLIND	6	
5	90110-06836-00	BOLT, HEXAGON SOCKET HEAD	6	
6	JR6-F1546-00-00	STAY, FENDER 3	6	
7	5FU-F175B-01-00	TUNING FORK MARK	1	
8	JN3-K818E-00-00	CAP, PROTECTOR END 1	2	
9	JU7-K8217-00-00	GRILLE, FRONT	1	
10	90201-05800-00	WASHER, PLATE	4	
11	95607-05200-00	NUT, U FLANGE	4	
12	JF2-K811V-00-00	PROTECTOR 1	1	
13	JU0-K8261-00-00	PLATE, BODY PROTECT 1	2	
14	90201-06829-00	WASHER, PLATE	10	
15	JF2-K8262-01-00	PLATE, BODY PROTECT 2	1	
16	JF2-K8263-01-00	PLATE, BODY PROTECT 3	1	
17	90185-06836-00	NUT, SELF-LOCKING	10	
18	JF2-K8264-00-00	PLATE, BODY PROTECT 4	1	
19	9560P-06200-00	NUT, FLANGE	2	
20	JF2-K811W-00-00	PROTECTOR 2	1	
21	JF2-K8265-00-00	PLATE, BODY PROTECT 5	1	
22	9560P-06200-00	NUT, FLANGE	2	
23	JF2-K811X-00-00	PROTECTOR 3	1	
24	JF2-78273-01-00	COVER, HOLE	1	
25	90269-11042-00	RIVET	3	
26	JU8-K8114-00-00	PANEL, FRONT	1	SEE NOTE A
27	90269-08066-00	RIVET	3	
28	JN3-K815G-00-00	SEAL, FRONT STORAGE	1	
29	JF2-K835E-00-00	HOLDER, BEVERAGE	1	

CONTENTS

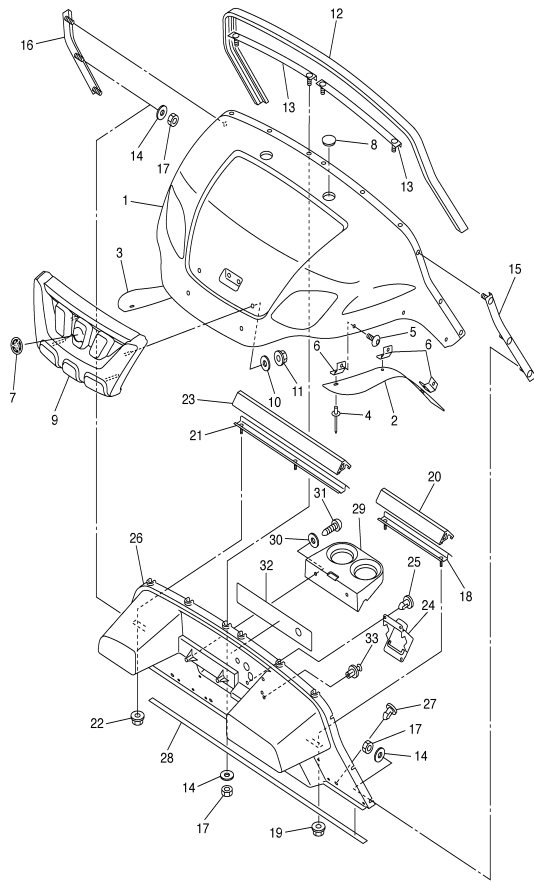
ACCELERATOR	B2
BODY	B7-8
BODY 2	B9
BODY FITTING	B10
BRAKE	A10-11
BRAKE 2	A12
BRAKE 3	B1
BUMPER	B6
CARRIER	B11
CONTROLLER 1	C3-4
ELECTRIC MOTOR	C1
ELECTRICAL 1	C5-6
FRAME	A5
FRONT SUSPENSION WHEEL	A6-7
HEADLIGHT	C2
REAR ARM SUSPENSION	A4
REAR AXLE MOUNT WHEEL	B5
SEAT	B12
STEERING	A8-9
TRANSAXLE	B3-4

CONTINUED ON NEXT FRAME ►



JU71110-C270

G27-E



NOTE A: WHEN REPLACING "PANEL, FRONT JU8-K8114-00-00", YOU MUST ALSO REPLACE "LABEL, WARNING 1 JU8-K7761-00-00".

BODY

Ref. No.	Part Number	Description	Qty	Remarks
30	90201-068R6-00	WASHER, PLATE	2	
31	9770P-60130-00	SCREW, TAPPING	2	
32	JU8-K7761-00-00	LABEL, WARNING 1	1	SEE NOTE A
33	90269-08069-00	RIVET	2	

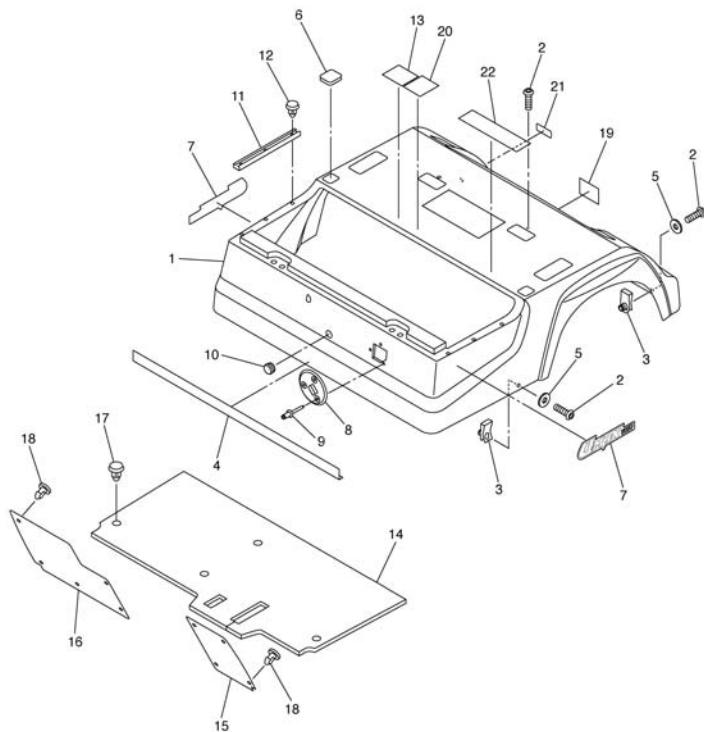
CONTENTS

ACCELERATOR	B2
BODY	B7-8
BODY 2	B9
BODY FITTING	B10
BRAKE	A10-11
BRAKE 2	A12
BRAKE 3	B1
BUMPER	B6
CARRIER	B11
CONTROLLER 1	C3-4
ELECTRIC MOTOR	C1
ELECTRICAL 1	C5-6
FRAME	A5
FRONT SUSPENSION WHEEL	A6-7
HEADLIGHT	C2
REAR ARM SUSPENSION	A4
REAR AXLE MOUNT WHEEL	B5
SEAT	B12
STEERING	A8-9
TRANSAXLE	B3-4



JU71110-C270

G27-E



NOTE A: WHEN REPLACING "PANEL REAR BODY JU8-K8142-00-00", YOU MUST ALSO REPLACE "LABEL, WARNING 5 JU2-K7765-00-00", "LABEL, WARNING JU7-K7768-00-00", "LABEL, CAUTION JU7-F1696-00-00", "LABEL, WARNING 5 JJ3-K7765-00-00", AND "PLATE, CAUTION 1 JN4-K8297-10-00".

BODY 2

Ref. No.	Part Number	Description	Qty	Remarks
1	JU8-K8142-00-00	PANEL, REAR BODY	1	SEE NOTE A
2	90110-06836-00	BOLT, HEXAGON SOCKET HEAD	6	
3	90183-06811-00	NUT, SPRING	4	
4	JN6-K824E-00-00	TRIM, REAR BODY 1	1	
5	90201-068R6-00	WASHER, PLATE	4	
6	JU7-K8363-00-00	PROTECTOR	2	
7	JU7-F1781-00-00	EMBLEM 1	2	
8	JN4-K827A-00-00	GUIDE 1	1	
9	90267-60840-00	RIVET, BLIND	3	
10	90338-25836-00	PLUG	1	
11	JU7-K8425-00-00	SEAL, SEAT	2	
12	90338-05834-00	PLUG	6	
13	JU2-K7765-00-00	LABEL, WARNING 5	1	SEE NOTE A
14	JN6-K8233-01-00	MAT, MAIN FLOOR 3	1	
15	JN6-K8231-01-00	MAT, MAIN FLOOR 1	1	
16	JN6-K8232-01-00	MAT, MAIN FLOOR 2	1	
17	90269-08813-00	RIVET	4	
18	90267-63047-00	RIVET, BLIND	9	
19	JU7-K7768-00-00	LABEL, WARNING	1	SEE NOTE A
20	JU7-F1696-00-00	LABEL, CAUTION	1	SEE NOTE A
21	JJ3-K7765-00-00	LABEL, WARNING 5	1	SEE NOTE A
22	JN4-K8297-10-00	PLATE, CAUTION 1	1	SEE NOTE A

CONTENTS

ACCELERATOR	B2
BODY	B7-8
BODY 2	B9
BODY FITTING	B10
BRAKE	A10-11
BRAKE 2	A12
BRAKE 3	B1
BUMPER	B6
CARRIER	B11
CONTROLLER 1	C3-4
ELECTRIC MOTOR	C1
ELECTRICAL 1	C5-6
FRAME	A5
FRONT SUSPENSION WHEEL	A6-7
HEADLIGHT	C2
REAR ARM SUSPENSION	A4
REAR AXLE MOUNT WHEEL	B5
SEAT	B12
STEERING	A8-9
TRANSAXLE	B3-4



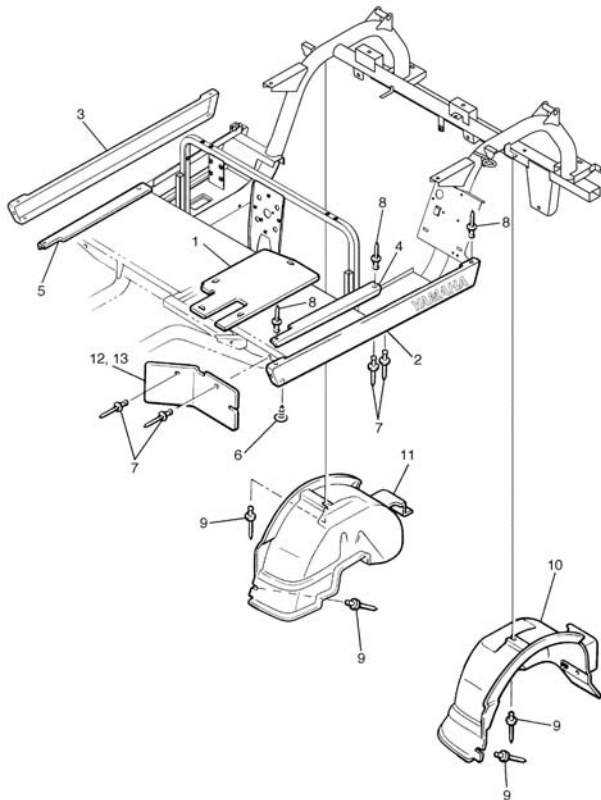
JU81110-C131

BODY FITTING

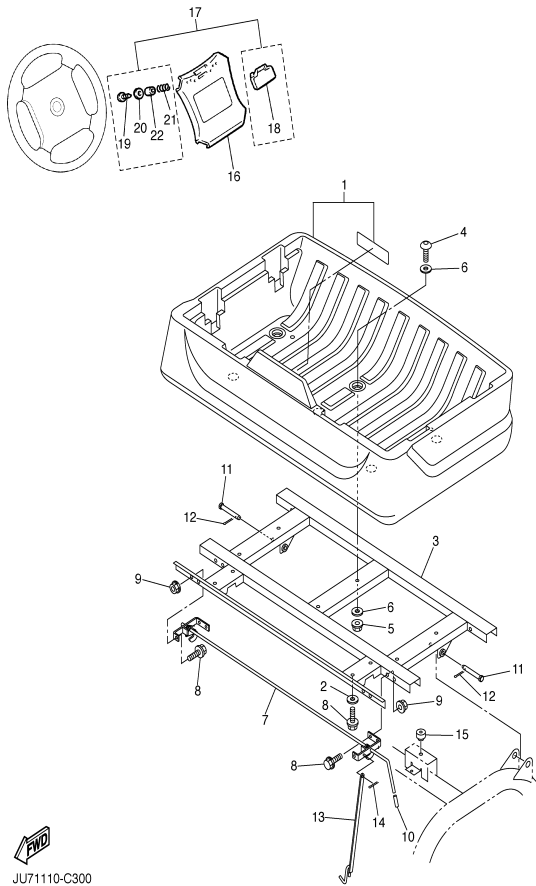
Ref. No.	Part Number	Description	Qty	Remarks
1	JN6-K8271-00-00	SERVICE LID, PEDAL	1	
2	JU0-K818A-00-00	PROTECTOR, SIDE PLATE	1	
3	JU0-K818B-00-00	PROTECTOR, SIDE PLATE 2	1	
4	JF2-K8215-10-00	PLATE, SIDE TRIM	1	
5	JF2-K821F-10-00	PLATE, SIDE TRIM	1	
6	90338-05829-00	PLUG	4	
7	90267-48831-00	RIVET, BLIND	8	
8	90267-48154-00	RIVET, BLIND	6	
9	90267-48086-00	RIVET, BLIND	4	
10	JF2-K8191-01-00	PANEL, REAR FENDER 1	1	
11	JF2-K8192-01-00	PANEL, REAR FENDER 2	1	
12	JF2-K8187-00-00	FLAP, FRONT FENDER (L.H)	1	
13	JF2-K8189-00-00	FLAP, FRONT FENDER (R.H)	1	

CONTENTS

ACCELERATOR	B2
BODY	B7-8
BODY 2	B9
BODY FITTING	B10
BRAKE	A10-11
BRAKE 2	A12
BRAKE 3	B1
BUMPER	B6
CARRIER	B11
CONTROLLER 1	C3-4
ELECTRIC MOTOR	C1
ELECTRICAL 1	C5-6
FRAME	A5
FRONT SUSPENSION WHEEL	A6-7
HEADLIGHT	C2
REAR ARM SUSPENSION	A4
REAR AXLE MOUNT WHEEL	B5
SEAT	B12
STEERING	A8-9
TRANSAXLE	B3-4



JU71110-C290



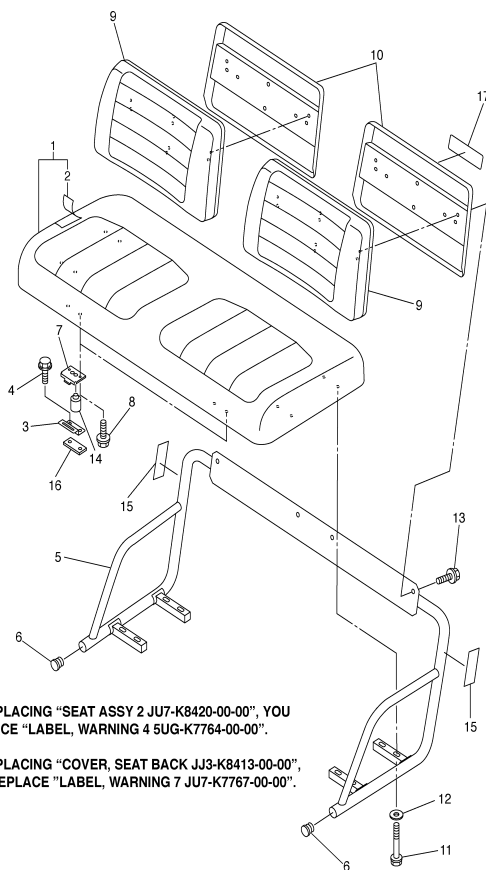
FWD
JU71110-C300

CARRIER

Ref. No.	Part Number	Description	Qty	Remarks
1	JU7-K819J-00-00	SHELL, REAR STORAGE BOX	1	
2	90201-088P7-00	WASHER, PLATE	2	
3	JU7-K818N-00-00	BED, BOX	1	
4	92017-10035-00	BOLT, BUTTON HEAD	6	
5	9560P-10200-00	NUT, FLANGE	6	
6	90201-10144-00	WASHER, PLATE	12	
7	JU7-K8380-00-00	LOCK ASSY	1	
8	9582P-08020-00	BOLT, FLANGE	8	
9	9560P-08200-00	NUT	6	
10	JJ3-K818M-00-00	CAP, PROTECTOR END 4	1	
11	90240-13801-00	PIN, CLEVIS	2	
12	91401-30025-00	PIN, SPLIT	2	
13	JU7-K8158-00-00	ROD, INSPECTION LID	1	
14	91401-20020-00	PIN, COTTER	1	
15	4XE-F4747-00-00	DAMPER, SEAT	2	
16	JN3-K8357-00-00	HOLDER 1	1	
17	JN6-W001D-00-00	SCORE CARD HOLDER KIT	1	
18	JN6-K8358-01-00	HOLDER 2	1	
19	97707-40525-00	SCREW, TAPPING	2	
20	90201-048R5-00	WASHER, PLATE	2	
21	90502-10013-00	SPRING, CONICAL	2	
22	90387-046N7-00	COLLAR	2	

CONTENTS

ACCELERATOR	B2
BODY	B7-8
BODY 2	B9
BODY FITTING	B10
BRAKE	A10-11
BRAKE 2	A12
BRAKE 3	B1
BUMPER	B6
CARRIER	B11
CONTROLLER 1	C3-4
ELECTRIC MOTOR	C1
ELECTRICAL 1	C5-6
FRAME	A5
FRONT SUSPENSION WHEEL	A6-7
HEADLIGHT	C2
REAR ARM SUSPENSION	A4
REAR AXLE MOUNT WHEEL	B5
SEAT	B12
STEERING	A8-9
TRANSAXLE	B3-4



NOTE A: WHEN REPLACING "SEAT ASSY 2 JU7-K8420-00-00", YOU MUST ALSO REPLACE "LABEL, WARNING 4 5UG-K7764-00-00".

NOTE B: WHEN REPLACING "COVER, SEAT BACK JJ3-K8413-00-00", YOU MUST ALSO REPLACE "LABEL, WARNING 7 JU7-K7767-00-00".

SEAT

Ref. No.	Part Number	Description	Qty	Remarks
1	JU7-K8401-10-00	SEAT SUB-ASSY, CUSHION	1	
2	JU7-K8404-00-00	COVER, SEAT	1	
3	JF2-K8427-00-00	HINGE, SEAT 2	2	
4	90105-06903-00	BOLT, FLANGE	4	
5	JU7-K8420-00-00	SEAT ASSY 2	1	SEE NOTE A
6	JU7-F111A-00-00	CAP, MAIN PIPE	2	
7	JN3-K8426-02-00	HINGE, SEAT 1	2	
8	90119-069UD-00	BOLT, WITH WASHER	4	
9	JU7-K8402-00-00	SEAT SUB ASSY, BACK	2	
10	JJ3-K8413-10-00	COVER, SEAT BACK	2	SEE NOTE B
11	90119-069UW-00	BOLT, WITH WASHER	8	
12	90201-068G0-00	WASHER, PLATE	8	
13	90119-06837-00	BOLT, WITH WASHER	4	
14	JU7-F4747-00-00	DAMPER, SEAT	2	
15	5UG-K7764-00-00	LABEL, WARNING 4	2	SEE NOTE A
16	JU7-K8478-10-00	WASHER, PLATE	2	
17	JU7-K7767-00-00	LABEL, WARNING 7	1	SEE NOTE B

CONTENTS

ACCELERATOR	B2
BODY	B7-8
BODY 2	B9
BODY FITTING	B10
BRAKE	A10-11
BRAKE 2	A12
BRAKE 3	B1
BUMPER	B6
CARRIER	B11
CONTROLLER 1	C3-4
ELECTRIC MOTOR	C1
ELECTRICAL 1	C5-6
FRAME	A5
FRONT SUSPENSION WHEEL	A6-7
HEADLIGHT	C2
REAR ARM SUSPENSION	A4
REAR AXLE MOUNT WHEEL	B5
SEAT	B12
STEERING	A8-9
TRANSAXLE	B3-4



JW41110-C310

G27-E

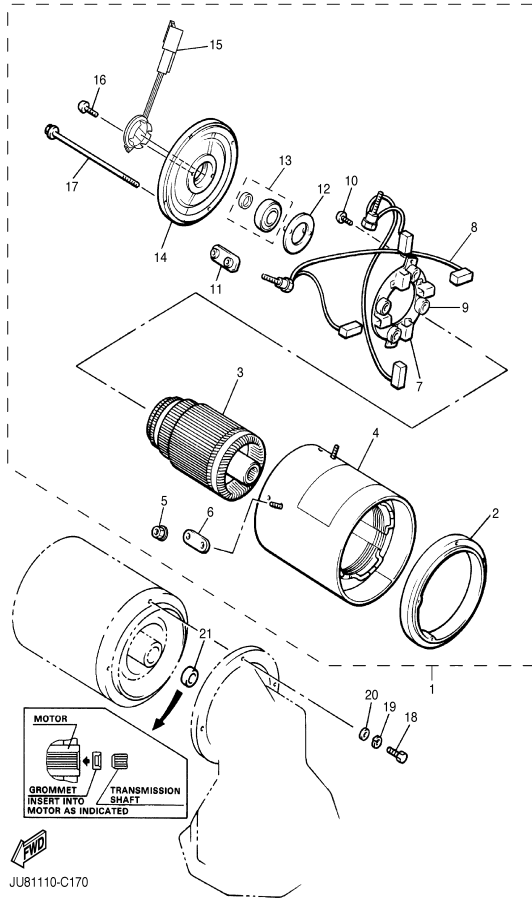
B12

ELECTRIC MOTOR

Ref. No.	Part Number	Description	Qty	Remarks
1	JU2-H1890-00-00	MOTOR ASSY	1	
2	JH7-H183J-00-00	.BRACKET, FRONT	1	
3	JU2-H1850-00-00	.ARMATURE ASSY	1	
4	JU2-H1160-00-00	.FIELD COIL ASSY	1	
5	JH7-H1872-00-00	.NUT, SPECIAL	4	
6	J51-H1843-00-00	.WASHER 1	2	
7	JU2-H1840-00-00	.BRUSH HOLDER ASSY	1	
8	JU2-H1801-00-00	.BRUSH SET	1	
9	JU2-H1617-00-00	.SPRING, BRUSH	1	
10	JH7-H1848-00-00	.SCREW, BRUSH HOLDER	2	
11	JG6-H1824-00-00	.WASHER 2	2	
12	JH7-H1856-10-00	.RETAINER	1	
13	JU2-H185B-00-00	.BEARING 1	1	
14	JU2-H1822-00-00	.BRACKET, STARTING MOTOR	1	
15	JU2-H1670-00-00	.PICK-UP ASSY	1	
16	JH7-H1846-00-00	.SCREW	2	
17	JR1-H1828-00-00	.BOLT 2	4	
18	90101-06857-00	BOLT	3	
19	90215-06811-00	WASHER, LOCK	3	
20	90201-068E2-00	WASHER, PLATE	2	
21	JH7-H1829-00-00	GROMMET	1	

CONTENTS

ACCELERATOR	B2
BODY	B7-8
BODY 2	B9
BODY FITTING	B10
BRAKE	A10-11
BRAKE 2	A12
BRAKE 3	B1
BUMPER	B6
CARRIER	B11
CONTROLLER 1	C3-4
ELECTRIC MOTOR	C1
ELECTRICAL 1	C5-6
FRAME	A5
FRONT SUSPENSION WHEEL	A6-7
HEADLIGHT	C2
REAR ARM SUSPENSION	A4
REAR AXLE MOUNT WHEEL	B5
SEAT	B12
STEERING	A8-9
TRANSAXLE	B3-4



JU81110-C170

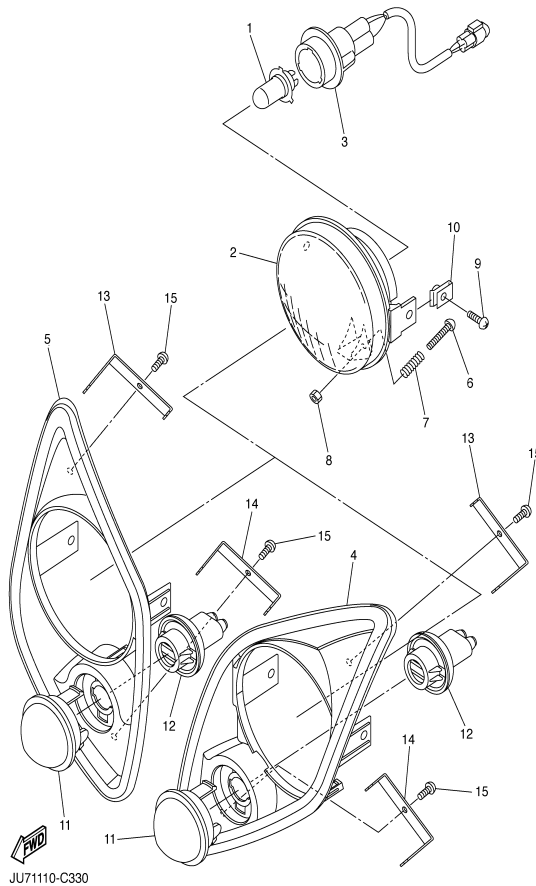
C1

HEADLIGHT

Ref. No.	Part Number	Description	Qty	Remarks
1	5FU-H4314-00-00	BULB, HEADLIGHT (12V-30/30W)	2	
2	5FU-H4320-00-00	LENS ASSY	2	
3	5FU-H4340-00-00	SOCKET CORD ASSY 1	2	
4	JU7-H411T-00-00	HOLDER, 1	1	LH
5	JU7-H411U-00-00	HOLDER, 2	1	RH
6	98507-03540-00	SCREW, PAN HEAD	2	
7	90501-10060-00	SPRING, COMPRESSION	2	
8	2GU-84334-00-00	NUT, ADJUSTING	2	
9	90150-05802-00	SCREW, ROUND HEAD	4	
10	90183-05008-00	NUT, SPRING	4	
11	JU7-H5415-00-00	MARK, SIGNAL LAMP	2	
12	JU7-H3547-00-00	COVER, SOCKET	2	
13	JU7-H4118-01-00	STAY, HEADLIGHT 1	2	
14	JU7-H4119-01-00	STAY, HEADLIGHT 2	2	
15	97707-40112-00	SCREW, TAPPING	4	

CONTENTS

ACCELERATOR	B2
BODY	B7-8
BODY 2	B9
BODY FITTING	B10
BRAKE	A10-11
BRAKE 2	A12
BRAKE 3	B1
BUMPER	B6
CARRIER	B11
CONTROLLER 1	C3-4
ELECTRIC MOTOR	C1
ELECTRICAL 1	C5-6
FRAME	A5
FRONT SUSPENSION WHEEL	A6-7
HEADLIGHT	C2
REAR ARM SUSPENSION	A4
REAR AXLE MOUNT WHEEL	B5
SEAT	B12
STEERING	A8-9
TRANSAXLE	B3-4



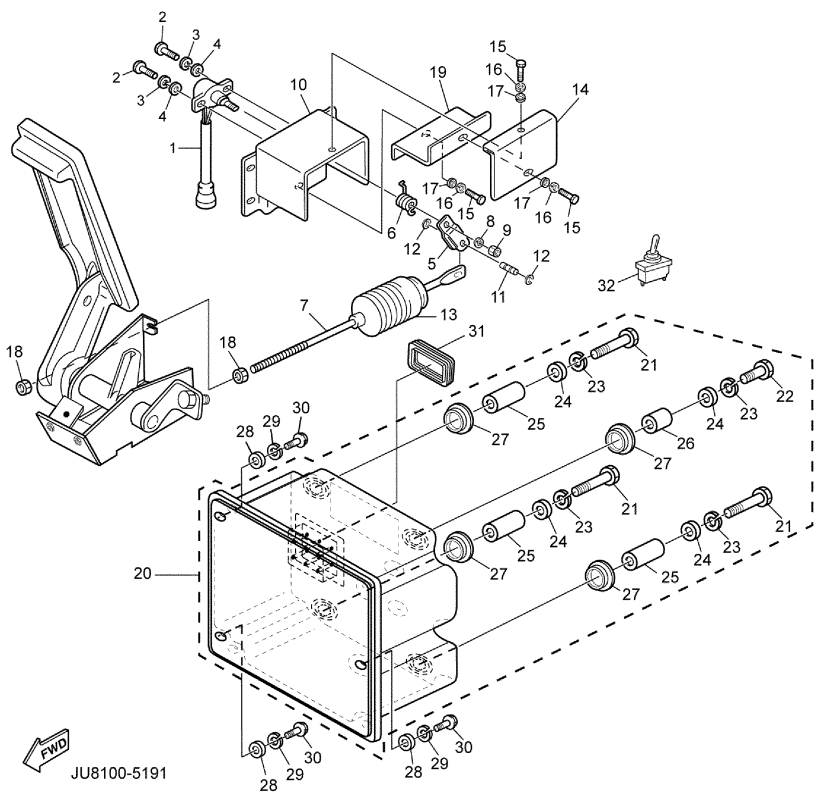
C2

CONTROLLER 1

Ref. No.	Part Number	Description	Qty	Remarks
1	JR1-85885-00-00	THROTTLE SENSOR ASSY ...	1	
2	98507-05016-00	SCREW, PAN HEAD	3	
3	92907-05100-00	WASHER, SPRING	3	
4	92907-05600-00	WASHER, PLATE	3	
5	JF3-2625H-00-00	ARM, THROTTLE	1	
6	JF3-27825-00-00	SPRING, RETURN	1	
7	JU2-F7241-00-00	ROD, JOINT	1	
8	9290P-06100-00	WASHER	1	
9	95307-06600-00	NUT	1	
10	JF3-27981-00-00	BRACKET, THROTTLE	1	
11	JF3-27813-00-00	PIN, PEDAL CRANK	1	
12	99001-04600-00	CIRCLIP	2	
13	JN4-F7486-00-00	COVER 1	1	
14	JF3-27487-00-00	COVER 2	1	
15	97007-05016-00	BOLT	6	
16	92907-05100-00	WASHER, SPRING	6	
17	92907-05600-00	WASHER, PLATE	6	
18	95307-08700-00	NUT	2	
19	JF3-27445-00-00	PLATE 1	1	
20	JU2-H6510-00-00	MOTOR CONTROL UNIT ASSY	1	
21	JU2-H332G-00-00	. .BOLT, SPECIAL 1	3	
22	JU2-H332H-00-00	. .BOLT, SPECIAL 2	1	
23	JU2-H2534-00-00	. .WASHER, LOCK	4	
24	JU2-H2558-00-00	. .WASHER	4	
25	JU2-H252S-00-00	SPACER, 1	3	
26	JU2-H253S-00-00	SPACER, 2	1	
27	JU2-H6115-00-00	GROMMET	4	
28	92907-06600-00	WASHER, PLATE	3	
29	92907-06100-00	WASHER, SPRING	3	
30	97007-06020-00	BOLT	3	

CONTENTS

ACCELERATOR	B2
BODY	B7-8
BODY 2	B9
BODY FITTING	B10
BRAKE	A10-11
BRAKE 2	A12
BRAKE 3	B1
BUMPER	B6
CARRIER	B11
CONTROLLER 1	C3-4
ELECTRIC MOTOR	C1
ELECTRICAL 1	C5-6
FRAME	A5
FRONT SUSPENSION WHEEL	A6-7
HEADLIGHT	C2
REAR ARM SUSPENSION	A4
REAR AXLE MOUNT WHEEL	B5
SEAT	B12
STEERING	A8-9
TRANSAXLE	B3-4



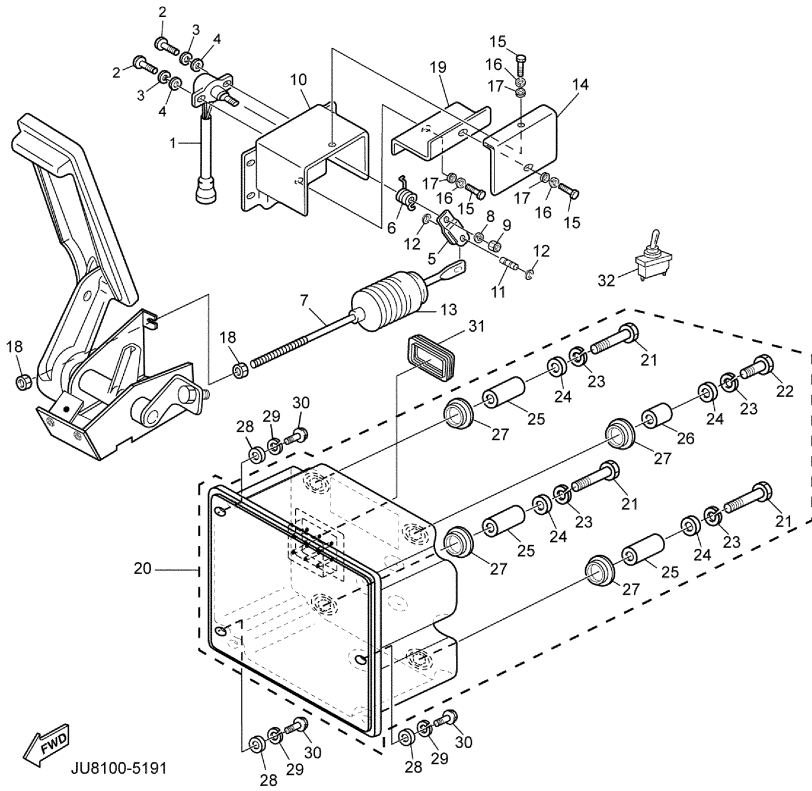
CONTINUED ON NEXT FRAME ►

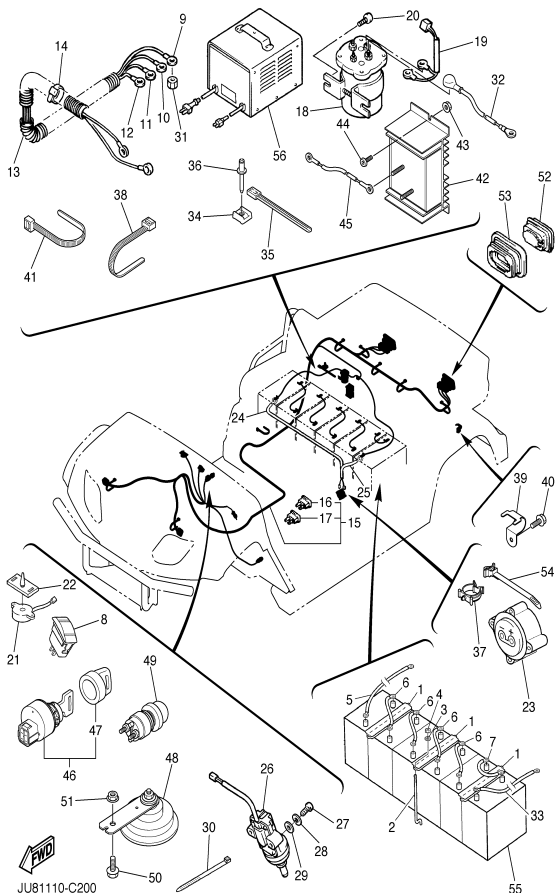
CONTROLLER 1

Ref. No.	Part Number	Description	Qty	Remarks
31	JR1-H215D-00-00	SEAL MCU, CANNON PLUG . . .	1	
32	JR1-H2727-00-00	SWITCH	1	

CONTENTS

ACCELERATOR	B2
BODY	B7-8
BODY 2	B9
BODY FITTING	B10
BRAKE	A10-11
BRAKE 2	A12
BRAKE 3	B1
BUMPER	B6
CARRIER	B11
CONTROLLER 1	C3-4
ELECTRIC MOTOR	C1
ELECTRICAL 1	C5-6
FRAME	A5
FRONT SUSPENSION WHEEL	A6-7
HEADLIGHT	C2
REAR ARM SUSPENSION	A4
REAR AXLE MOUNT WHEEL	B5
SEAT	B12
STEERING	A8-9
TRANSAXLE	B3-4





ELECTRICAL 1

Ref. No.	Part Number	Description	Qty	Remarks
1	JF3-H2136-00-00	PLATE, BATTERY FITTING	3	
2	JN3-H2133-00-00	SCREW, FITTING	6	
3	90201-068R7-00	WASHER, PLATE	6	
4	95707-06500-00	NUT, FLANGE	6	
5	JU2-H2115-00-00	WIRE, PLUS LEAD	1	
6	JR1-H2127-01-00	WIRE, LEAD 2	4	
7	JR1-H2149-01-00	WIRE, LEAD 3	1	
8	JR1-H2917-10-00	SWITCH	1	
9	JU2-H2521-00-00	WIRE, LEAD	1	
10	JU2-H2531-00-00	WIRE, LEAD	1	
11	JU2-H6171-00-00	WIRE, LEAD 1	1	
12	JU2-H6172-00-00	WIRE, LEAD 2	1	
13	JU2-H7196-00-00	TUBE 1	1	
14	90465-13152-00	CLAMP	1	
15	JU8-H2590-01-00	WIRE HARNESS ASSY	1	
16	JR1-H2151-00-00	. FUSE (3A)	1	
17	JN6-H2151-00-00	. FUSE (10 A)	1	
18	JU6-H1950-00-00	RELAY ASSY	1	
19	JN6-H2105-00-00	WIRE HARNESS	1	
20	90163-06005-00	SCREW, TAPPING	2	
21	JR1-H3383-01-00	BUZZER	1	
22	JN6-H3386-01-00	STAY, BUZZER	1	
23	JR1-H6181-02-00	RECEPTACLE	1	
24	JU2-H1215-00-00	WIRE, LEAD 1	1	
25	JU2-H1216-00-00	WIRE, LEAD 2	1	
26	JF7-82817-20-00	SWITCH	1	
27	98507-05025-00	SCREW, PAN HEAD	2	
28	92907-05100-00	WASHER, SPRING	2	
29	92907-05600-00	WASHER, PLATE	2	
30	90464-31827-00	CLAMP	5	

CONTENTS

ACCELERATOR	B2
BODY	B7-8
BODY 2	B9
BODY FITTING	B10
BRAKE	A10-11
BRAKE 2	A12
BRAKE 3	B1
BUMPER	B6
CARRIER	B11
CONTROLLER 1	C3-4
ELECTRIC MOTOR	C1
ELECTRICAL 1	C5-6
FRAME	A5
FRONT SUSPENSION WHEEL	A6-7
HEADLIGHT	C2
REAR ARM SUSPENSION	A4
REAR AXLE MOUNT WHEEL	B5
SEAT	B12
STEERING	A8-9
TRANSAXLE	B3-4

CONTINUED ON NEXT FRAME ►

ELECTRICAL 1

Ref. No.	Part Number	Description	Qty	Remarks
31	JG6-H1872-00-00	NUT, SPECIAL	4	
32	JU2-H6527-00-00	WIRE 7	1	
33	JU2-H6521-00-00	WIRE 1	1	
34	90207-05800-00	WASHER, FINISH	1	
35	90464-40825-00	CLAMP	3	
36	90267-489U9-00	RIVET, BLIND	1	
37	90464-25826-00	CLAMP	3	
38	90464-14806-00	CLAMP	7	
39	90462-20186-00	CLAMP	1	
40	90105-06876-00	BOLT, FLANGE	1	
41	90464-14806-00	CLAMP	1	
42	JR1-H1910-00-00	VOLTAGE REGULATOR ASSY	1	
43	95707-05300-00	NUT, FLANGE	2	
44	90111-05801-00	BOLT	2	
45	JR1-H4149-00-00	WIRE, LEAD 2	1	
46	JU6-H2510-00-00	MAIN SWITCH ASSY	1	
47	5UG-H2579-00-00	.CAP, KEY	1	
48	4LR-83371-10-00	HORN	1	
49	JR6-H270X-00-00	SWITCH	1	
50	9582P-06016-00	BOLT, FLANGE	1	
51	95707-06500-00	NUT, FLANGE	1	
52	JN3-H4700-00-00	TAILLIGHT ASSY	2	
53	JN3-H4718-00-00	GROMMET	2	
54	90464-25800-00	CLAMP	1	
55	JR1-H2110-20-00	BATTERY (8V BCI GROUP GC-2H)	6	LM
56	JR1-H2107-03-00	CHARGER, BATTERY	1	

CONTENTS

ACCELERATOR	B2
BODY	B7-8
BODY 2	B9
BODY FITTING	B10
BRAKE	A10-11
BRAKE 2	A12
BRAKE 3	B1
BUMPER	B6
CARRIER	B11
CONTROLLER 1	C3-4
ELECTRIC MOTOR	C1
ELECTRICAL 1	C5-6
FRAME	A5
FRONT SUSPENSION WHEEL	A6-7
HEADLIGHT	C2
REAR ARM SUSPENSION	A4
REAR AXLE MOUNT WHEEL	B5
SEAT	B12
STEERING	A8-9
TRANSAXLE	B3-4

