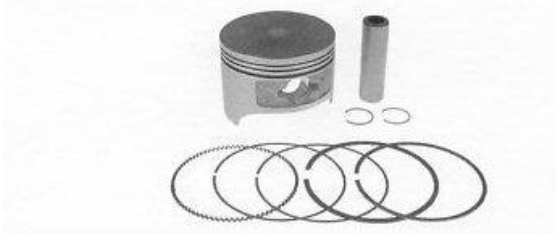


[\(Click\) Go to GM Carts](#)

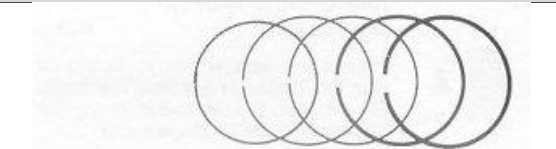
[\(Click\) Contact GM Carts](#)

<p>List Price \$84.00</p> <p>Your cost \$67.20</p> <p>You Save \$16.80</p>	 <p>15983 PISTON ASSEMBLY, .50, EZ ST350</p> <p>Aluminum alloy. Includes rings, piston pin and retainers.</p> <p>Used On: E-Z-Go gas, 96-UP (Workhorse ST350). 72542-G01</p> <p>Edit Cart 4 lbs Check Out</p>	<p>Part Number 5652 PISTON & RING ASSM EZGO 350 -50MM</p> <p>Price \$67.20 KIT You Save \$16.80</p> <p><input type="text" value="1"/> add to cart</p>
---	--	--

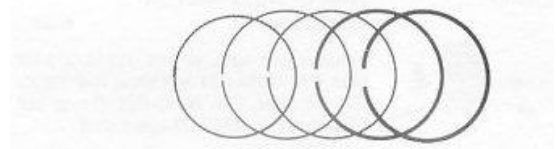
18.00 2.00 \$10.80 \$36.00 0.20 15984

<p>List Price \$36.00</p> <p>Your cost \$28.80</p> <p>You Save \$7.20</p>	 <p>15984 RING SET, STD, EZ ST350</p> <p>Set includes one compression ring, one wiper ring and a 3-piece oil ring (two rings and a spacer).</p> <p>Used On: E-Z-Go gas, 96-UP (Workhorse ST350). 72543-G01</p> <p>Edit Cart 1 lbs Check Out</p>	<p>Part Number 5653 RING SET (2) EZGO 350 STANDARD</p> <p>Price \$28.80 SET You Save \$7.20</p> <p><input type="text" value="1"/> add to cart</p>
--	--	--

18.00 2.00 \$10.80 \$36.00 0.20 15985

<p>List Price \$36.00</p> <p>Your cost \$28.80</p> <p>You Save \$7.20</p>	 <p>15985 RING SET, .25, EZ ST350</p> <p>72544-G01</p> <p>Edit Cart 1 lbs Check Out</p>	<p>Part Number 5654 RING SET (2) EZGO 350 .25MM</p> <p>Price \$28.80 SET You Save \$7.20</p> <p><input type="text" value="1"/> add to cart</p>
--	---	---

18.00 2.00 \$10.80 \$36.00 0.20 15986

<p>List Price \$36.00</p> <p>Your cost \$28.80</p> <p>You Save \$7.20</p>	 <p>15986 RING SET, .50, EZ ST350</p> <p>72545-G01</p> <p>Edit Cart 1 lbs Check Out</p>	<p>Part Number 5655 RING SET (2) EZGO 350 .50MM</p> <p>Price \$28.80 SET You Save \$7.20</p> <p><input type="text" value="1"/> add to cart</p>
--	---	---

2.50 2.00 \$1.50 \$5.00 0.20 27137-G01