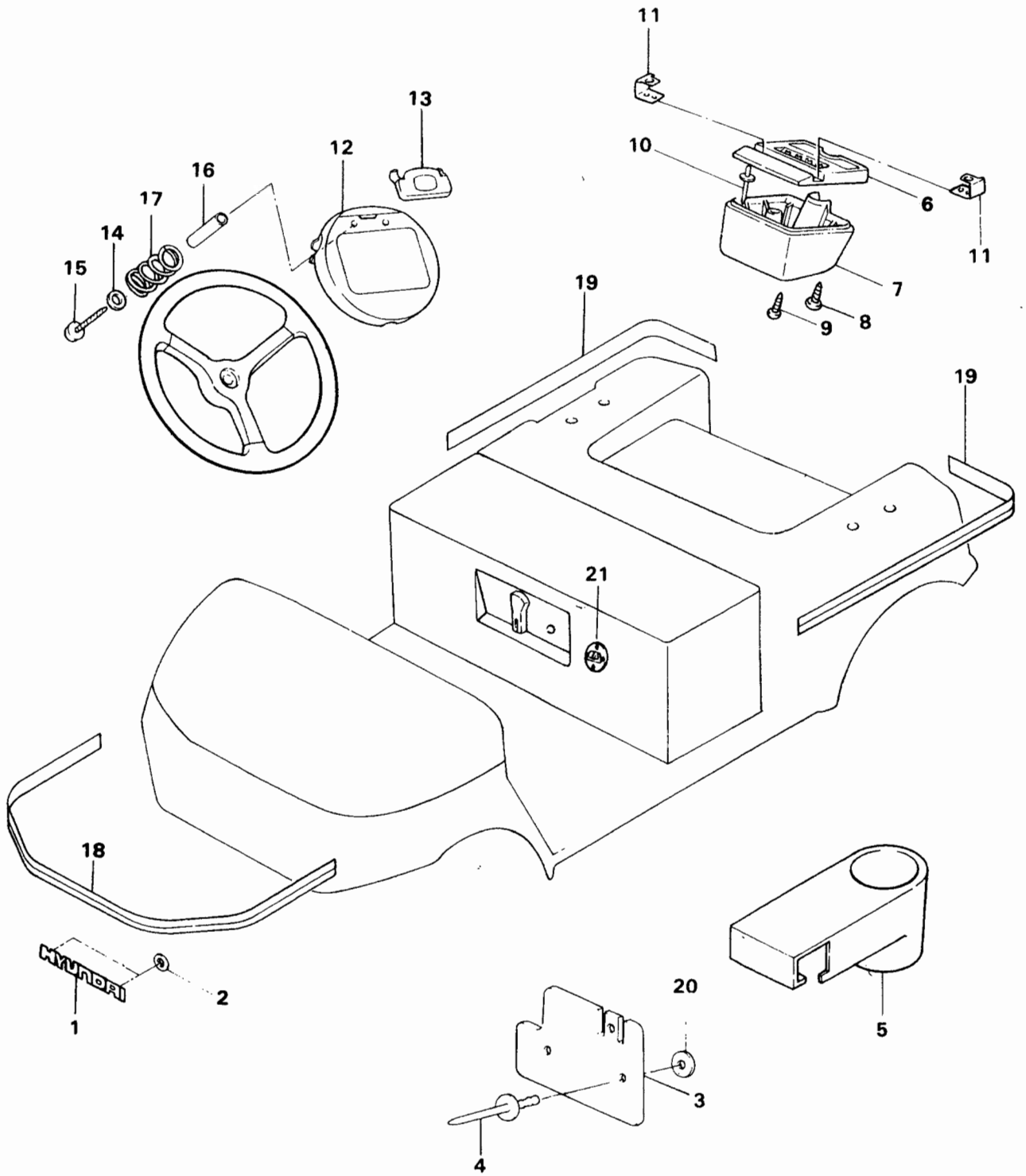


### 6-03, 08, ACCESSORY WITH TRIM



### 6-03, 08 ACCESSORY WITH TRIM

NO	PART NAME	PART NO	Q'TY	REMARK
1	Front Emblem	GC1-606050	1	Includes #2
2	Clip , Push	6KJ-009300	2	
3	Mud Flap	GC1-603030	2	
4	Rivet , Blind	5AJ-195000	8	$\phi 4.8$ , L = 11
5	Drink Holder	GC1-603380	2	
6~11	Console Ass'y	GC1-603080	1	
6	Console Kit (Upper)		1	
7	Console Kit (Lower)		1	
8	Screw, Tapping	3FG-491120	2	M4, L = 30
9	Screw, Tapping	3FL-591120	2	M6, L = 40
10	Rivet, Blind	5AJ-195000	4	$\phi 4.8$ L = 11
11	Console Bracket	GC1-707290	2	
12~17	Score Card Ass'y	GC1-603120	1	
12	Score Card Base		1	
13	Score Card Clip	GC1-603140	1	
14	Washer , Plane	4AC-000110	2	M4
15	Screw, Tapping	3FG-432300	2	M4, L = 25
16	Bush		2	
17	Spring		2	
18	Front Stripe Decal	GC1-608170	1	
19	Rear Stripe Decal	GC1-608180	2	
20	Washer, Plane	4AD-140112	2	M5
21	Receptacle Cover	GB1-603400	1	