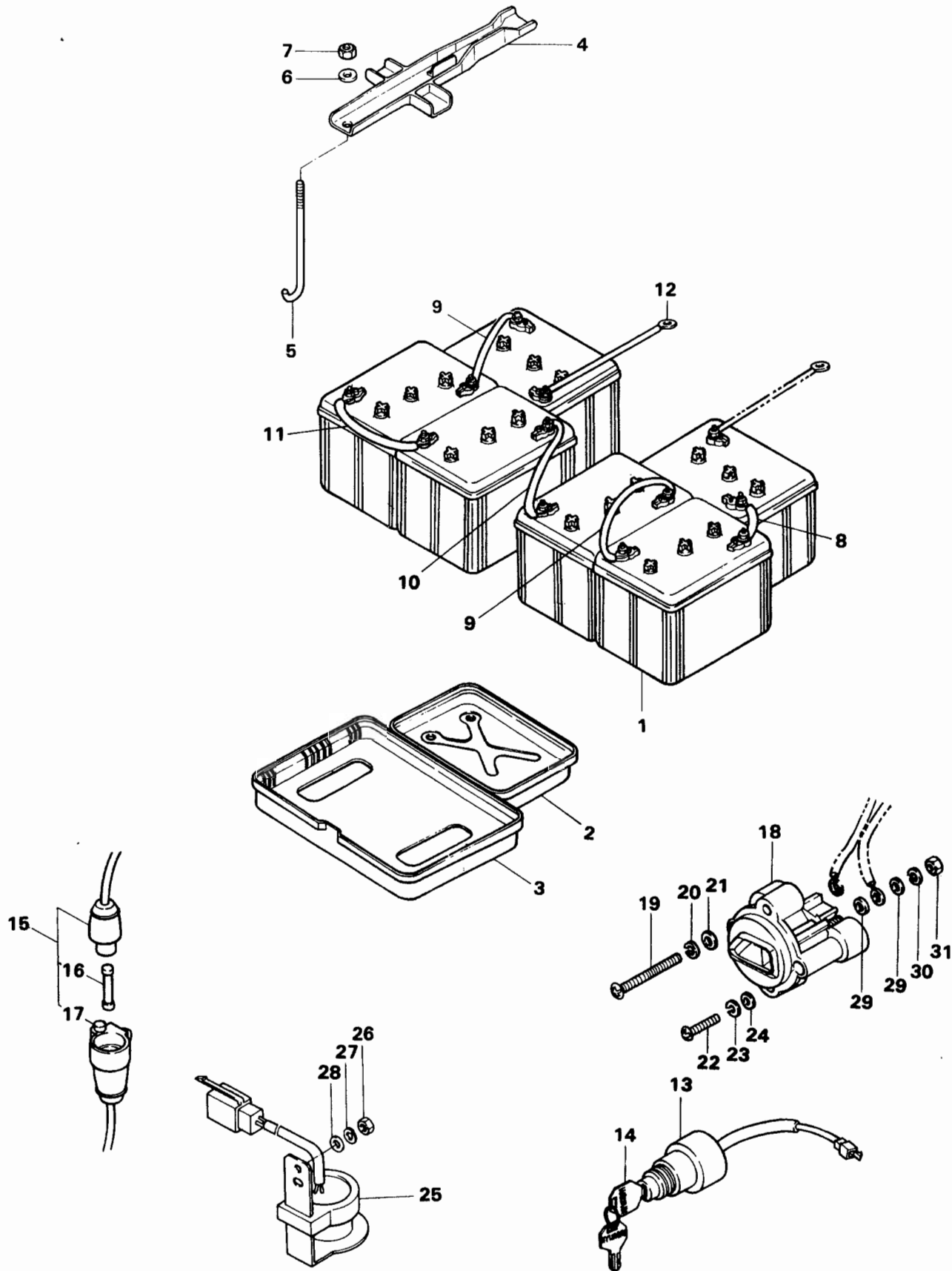


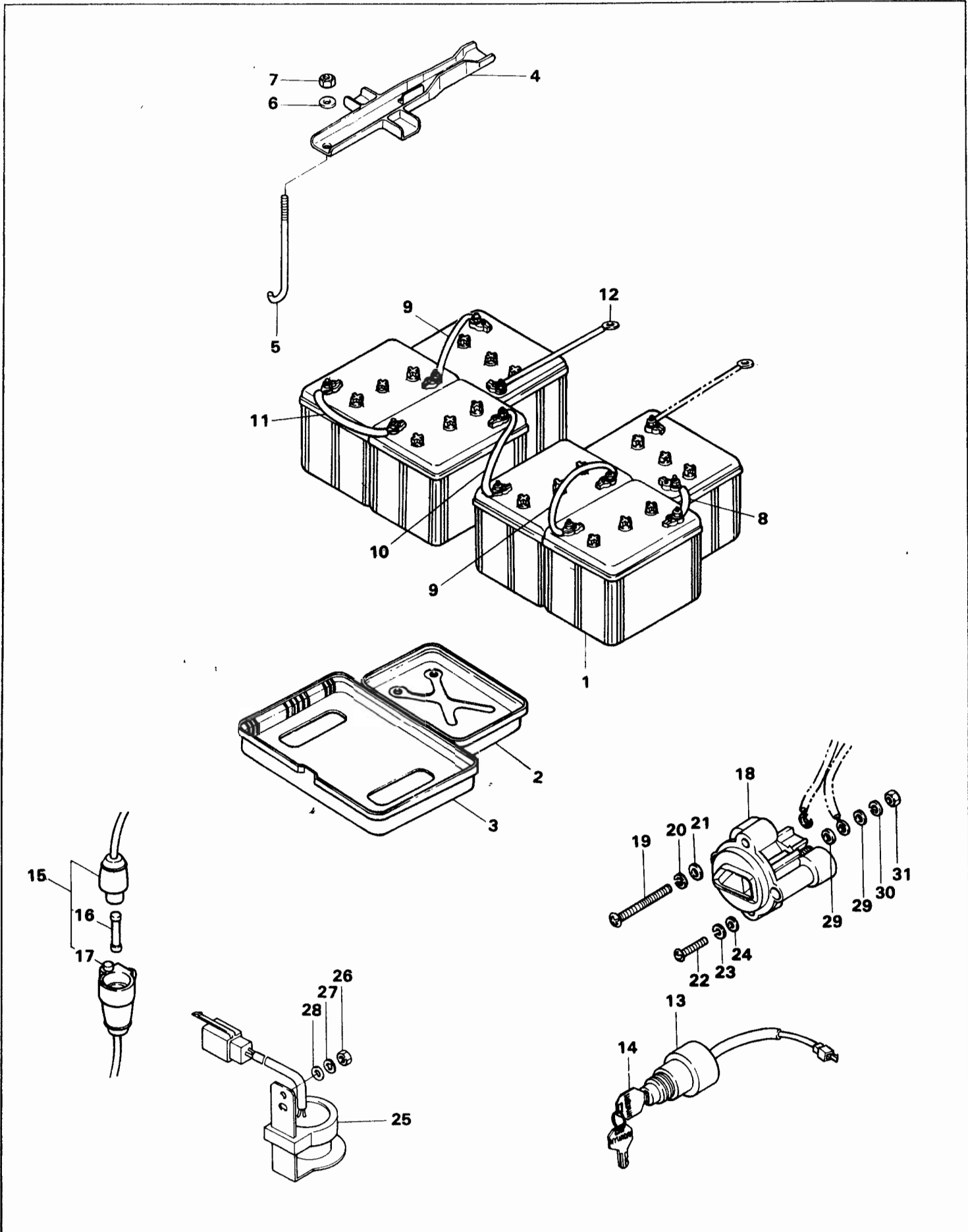
8-02, 03, 04 ELECTRIC PARTS



8-02, 03, 04 ELECTRIC PARTS

NO	PART NAME	PART NO	Q'TY	REMARK
1	Battery (6V)	GB1-856600	6	OPT.
2	Battery Tray (Small)	GC1-603160	2	
3	Battery Tray (Large)	GB1-603150	2	
4	Battery Holder (A)	GB1-603190	2	
5	J-Bolt	1HJ-793172	4	M6
6	Washer, Plane	4AE-150112	4	M6
7	Nut	2AJ-002120	8	M6
8	Wire (4)	GB1-802012	1	
9	Wire (1)	GB1-802014	2	
10	Wire (3)	GB1-802013	1	
11	Wire (2)	GB1-802011	1	
12	Wire ((-) — A2)	GB1-802034	1	
13	Key Switch Ass'y	GC1-803500	1	
14	Key	GC1-803502	2	
15	Fuse Holder Ass'y	GC1-803900	1	
16	Fuse (10A)	GC1-803902	1	
17	Fuse (10A) , Spare	GC1-803902	1	
18	Receptacle Ass'y	GB1-803700	1	
19	Screw , Pan Head	3GJ-735000	2	M5, L = 60
20	Washer, Spring	4BD-005010	2	M5
21	Washer, Plane	4AD-005010	2	M5
22	Screw , Pan Head	3GG-495000	2	M4, L = 30
23	Washer, Spring	4BC-005010	2	M4
24	Washer, Plane	4AC-005010	2	M4
25	Back Buzzer Ass'y (36V)	GB1-853800	1	

8-02, 03, 04 ELECTRIC PARTS



8-02, 03, 04 ELECTRIC PARTS

NO	PART NAME	PART NO	Q'TY	REMARK
26	Nut	2AJ-002120	1	M6
27	Washer, Spring	4BE-003110	1	M6
28	Washer, Plane	4AE-000110	1	M6
29	Washer, Plane	4AD-008010	4	M5
30	Washer, Spring	4BD-003110	2	M5
31	Nut	2AI-008010	2	M5