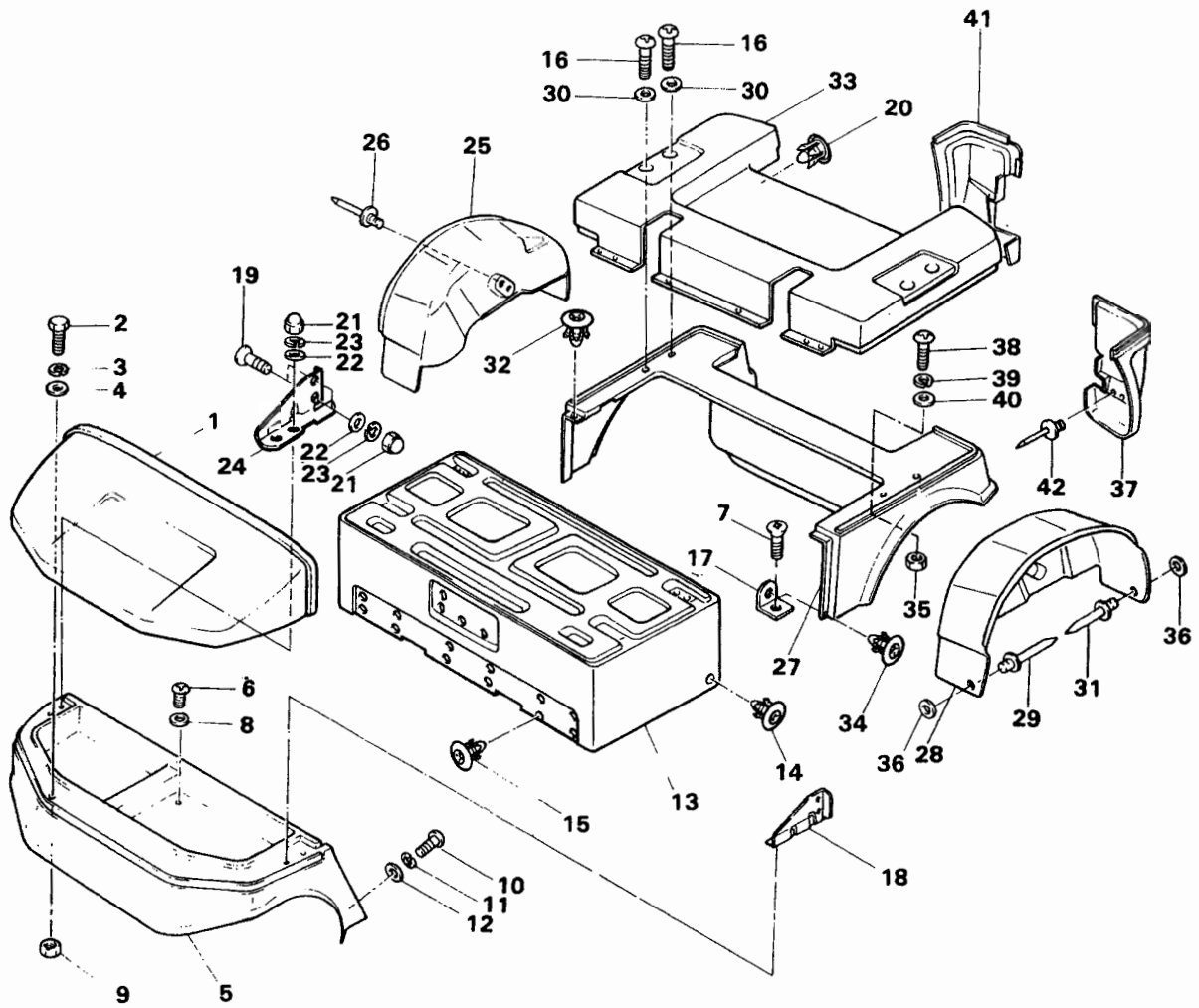


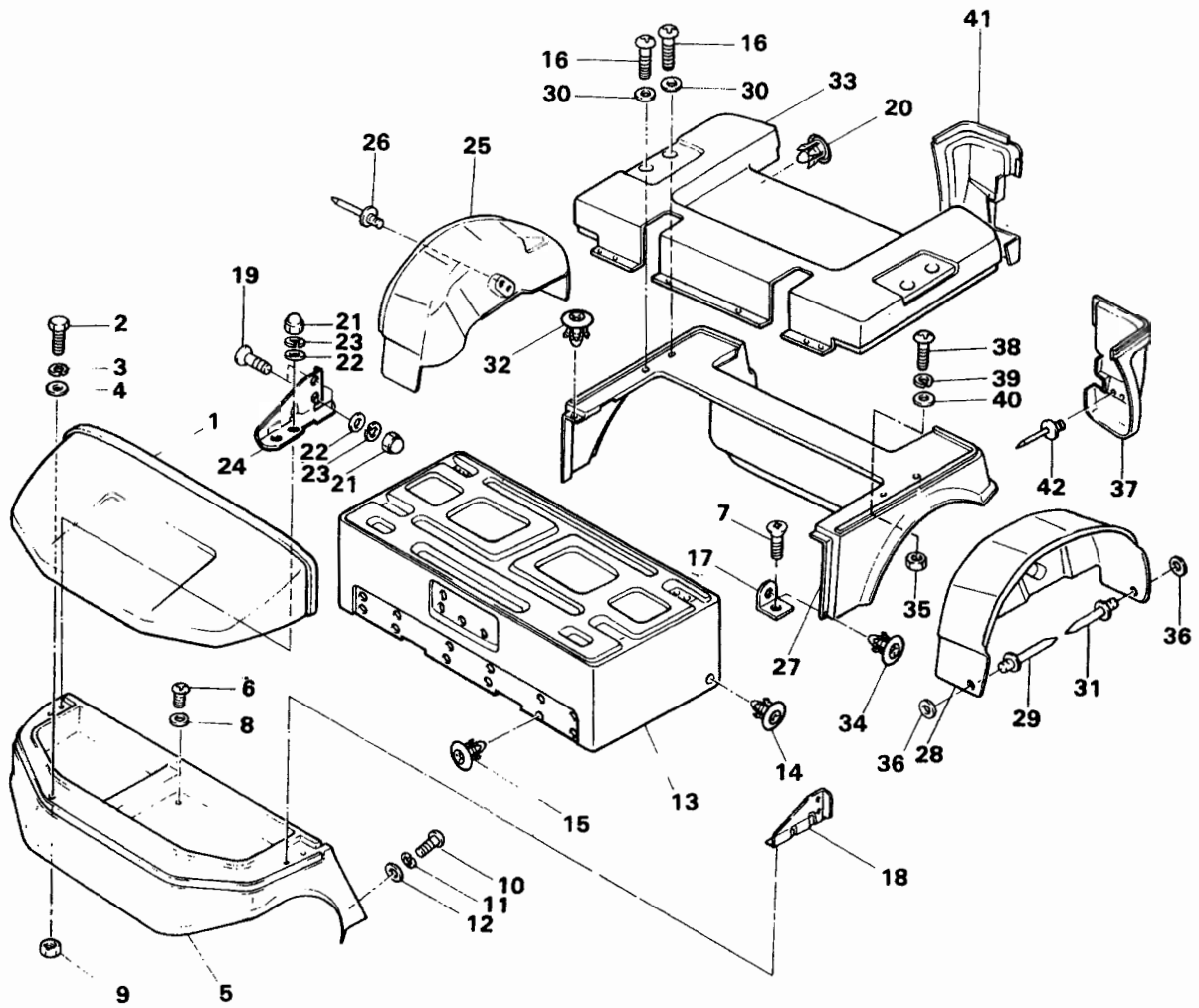
6-01 COWL



6-01 COWL

| NO | PART NAME | PART NO | Q'TY | REMARK |
|----|--------------------------------|------------|------|------------|
| 1 | Front Upper Cowl | GC1-601010 | 1 | |
| 2 | Bolt | 1AJ-122100 | 4 | M6, L = 20 |
| 3 | Washer , Spring | 4BE-003110 | 4 | M6 |
| 4 | Washer , Plane | 4AE-150112 | 4 | M6 |
| 5 | Front Lower Cowl | GC1-601020 | 1 | |
| 6 | Screw | 3GL-375000 | 2 | M6, L = 20 |
| 7 | Screw, Truss Head | 3EL-232300 | 2 | M6, L = 10 |
| 8 | Washer , Plane | 4AE-155012 | 2 | M6 |
| 9 | Nut | 2AJ-002120 | 4 | M6 |
| 10 | Screw | 3GL-372100 | 2 | M6, L = 20 |
| 11 | Washer , Spring | 4BE-003110 | 2 | M6 |
| 12 | Washer , Plane | 4AE 150112 | 2 | M6 |
| 13 | Seat Cowl | GC1-601050 | 1 | |
| 14 | Rivet , Plastic | 5BN-237200 | 2 | |
| 15 | Rivet , Plastic | 5BM-177200 | 4 | |
| 16 | Screw , Pan Head | 3GL-372100 | 4 | M6 L = 20 |
| 17 | R/R Cowl Lower Bracket | GC1-707210 | 2 | |
| 18 | Front Cowl Upper Bracket (L/H) | GC1-707220 | 1 | |
| 19 | Screw, Plate | 3AL-432300 | 4 | M6 L = 25 |
| 20 | Rivet , Plastic | 5BM-177200 | 5 | |
| 21 | Nut, Cap | 2KJ-118220 | 8 | M6 |
| 22 | Washer , Plane | 4AE-155012 | 8 | M6 |
| 23 | Washer , Spring | 4BE-005010 | 8 | M6 |
| 24 | Front Cowl Upper Bracket (R/H) | GC1-707221 | 1 | |
| 25 | Wheel Cover (R/H) | GC1-603300 | 1 | |

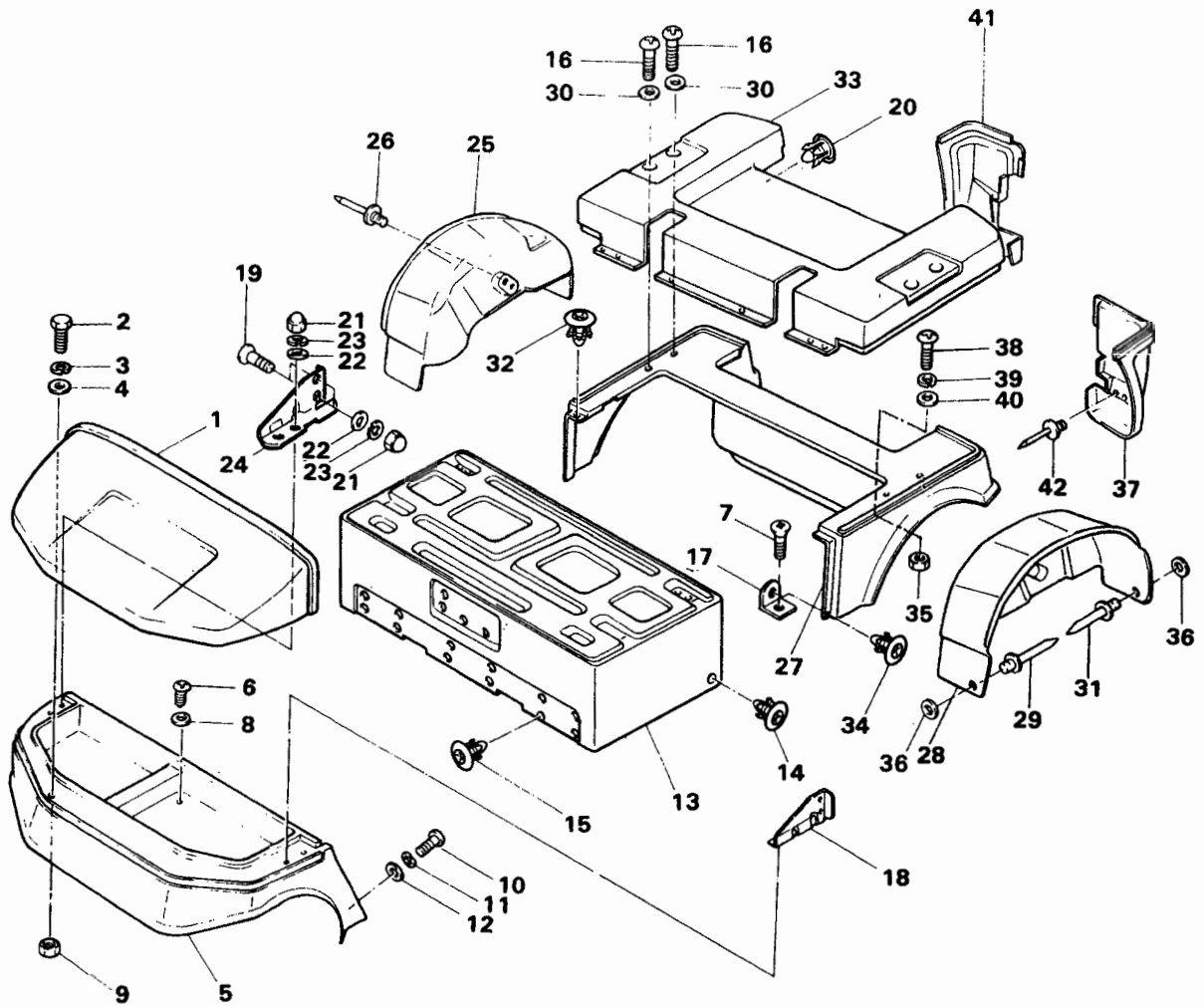
6-01 COWL



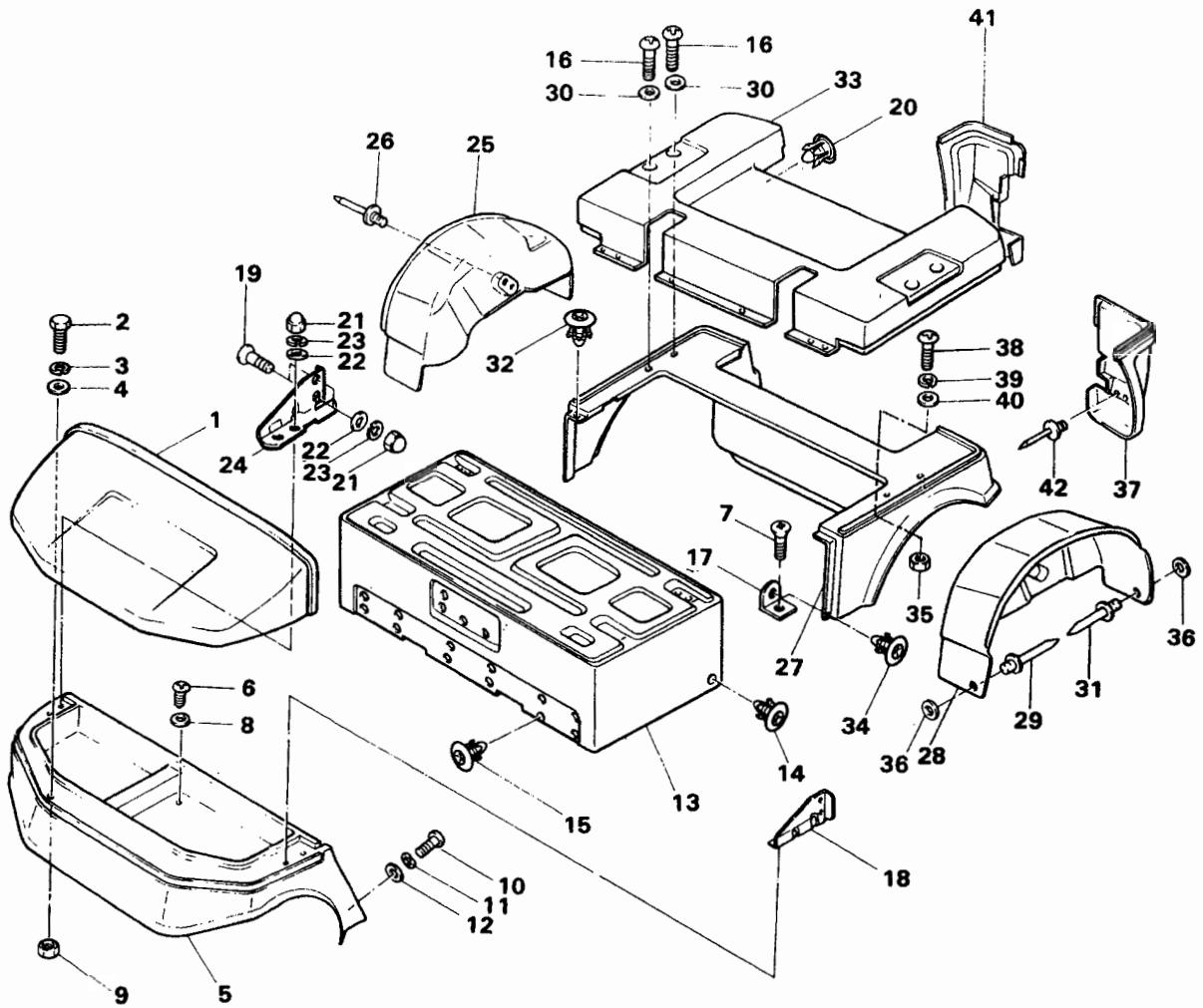
6-01 COWL

| NO | PART NAME | PART NO | Q'TY | REMARK |
|----|--------------------------------|------------|------|------------|
| 1 | Front Upper Cowl | GC1-601010 | 1 | |
| 2 | Bolt | 1AJ-122100 | 4 | M6, L = 20 |
| 3 | Washer , Spring | 4BE-003110 | 4 | M6 |
| 4 | Washer , Plane | 4AE-150112 | 4 | M6 |
| 5 | Front Lower Cowl | GC1-601020 | 1 | |
| 6 | Screw | 3GL-375000 | 2 | M6, L = 20 |
| 7 | Screw, Truss Head | 3EL-232300 | 2 | M6, L = 10 |
| 8 | Washer , Plane | 4AE-155012 | 2 | M6 |
| 9 | Nut | 2AJ-002120 | 4 | M6 |
| 10 | Screw | 3GL-372100 | 2 | M6, L = 20 |
| 11 | Washer , Spring | 4BE-003110 | 2 | M6 |
| 12 | Washer , Plane | 4AE 150112 | 2 | M6 |
| 13 | Seat Cowl | GC1-601050 | 1 | |
| 14 | Rivet , Plastic | 5BN-237200 | 2 | |
| 15 | Rivet , Plastic | 5BM-177200 | 4 | |
| 16 | Screw , Pan Head | 3GL-372100 | 4 | M6 L = 20 |
| 17 | R/R Cowl Lower Bracket | GC1-707210 | 2 | |
| 18 | Front Cowl Upper Bracket (L/H) | GC1-707220 | 1 | |
| 19 | Screw, Plate | 3AL-432300 | 4 | M6 L = 25 |
| 20 | Rivet , Plastic | 5BM-177200 | 5 | |
| 21 | Nut, Cap | 2KJ-118220 | 8 | M6 |
| 22 | Washer , Plane | 4AE-155012 | 8 | M6 |
| 23 | Washer , Spring | 4BE-005010 | 8 | M6 |
| 24 | Front Cowl Upper Bracket (R/H) | GC1-707221 | 1 | |
| 25 | Wheel Cover (R/H) | GC1-603300 | 1 | |

6-01 COWL



6-01 COWL



6-01 COWL

| NO | PART NAME | PART NO | Q'TY | REMARK |
|----|---------------------|------------|------|----------------------|
| 26 | Rivet , Blind | 5AJ-256310 | 4 | $\phi 4.8$ L = 14 AL |
| 27 | Rear Lower Cowl | GC1-601040 | 1 | |
| 28 | Wheel Cover (L/H) | GC1-603010 | 1 | |
| 29 | Rivet , Blind | 5AJ-256310 | 2 | $\phi 4.8$ L = 14,AL |
| 30 | Washer , Plane | 4AE-150112 | 2 | M6 |
| 31 | Rivet , Blind | 5AJ-256310 | 2 | $\phi 4.8$ L = 14,AL |
| 32 | Rivet , Plastic | 5BM-177200 | 8 | |
| 33 | Rear Upper Cowl | GC1-601030 | 1 | |
| 34 | Rivet, Plastic | 5BM-177200 | 2 | |
| 35 | Nut | 2AJ-002120 | 2 | M6 |
| 36 | Washer , Plane | 4AD-140112 | 4 | M5 |
| 37 | Fender Corner (L/H) | GC1-603210 | 1 | |
| 38 | Screw , Pan Head | 3GL-372100 | 2 | M6, L = 20 |
| 39 | Washer , Spring | 4BE-003110 | 2 | M6 |
| 40 | Washer , Plane | 4AE-150112 | 2 | M6 |
| 41 | Fender Corner (R/H) | GC1-603220 | 1 | |
| 42 | Rivet, Blind | 5AJ-256300 | 4 | $\phi 4.8$ L = 14 AL |