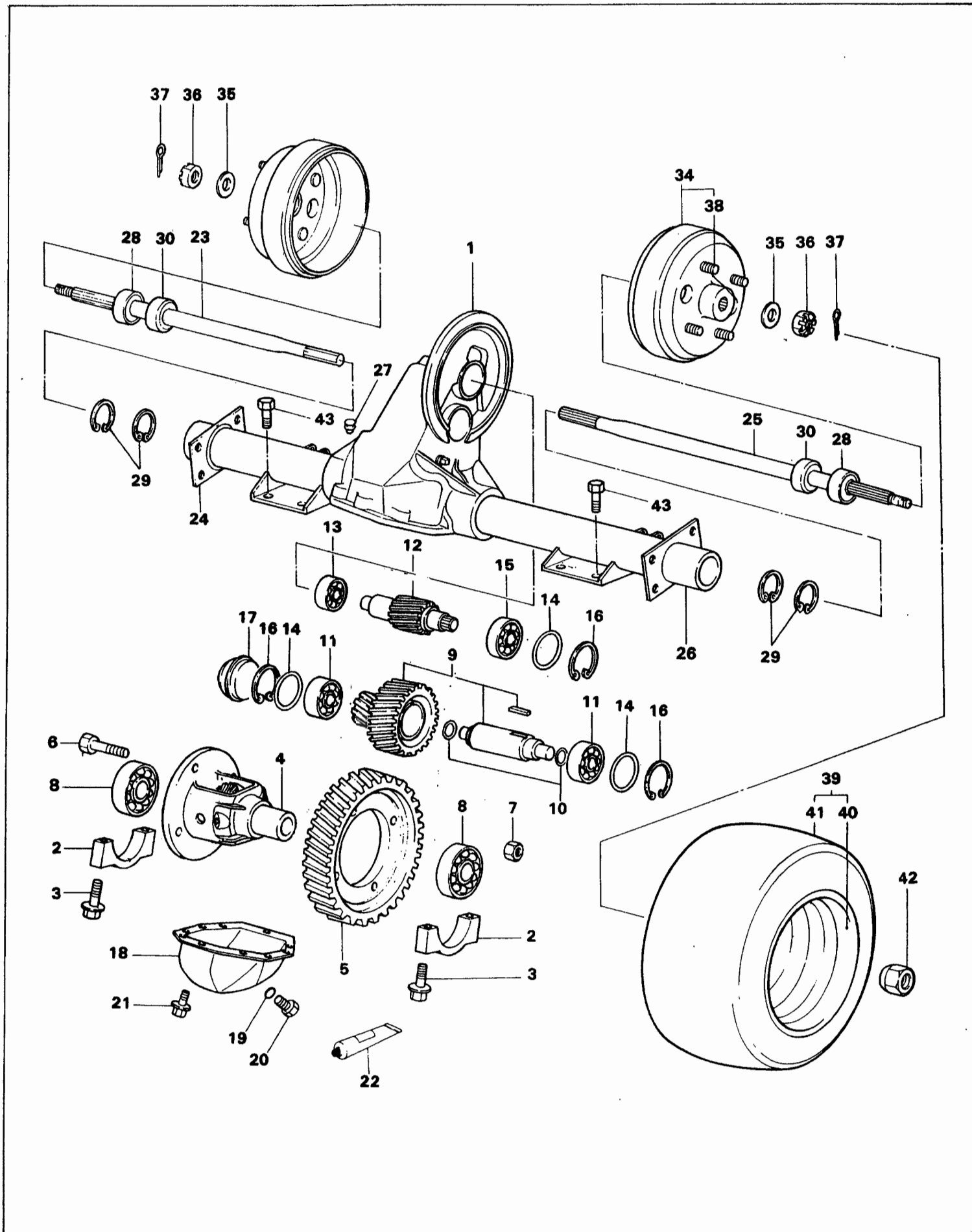


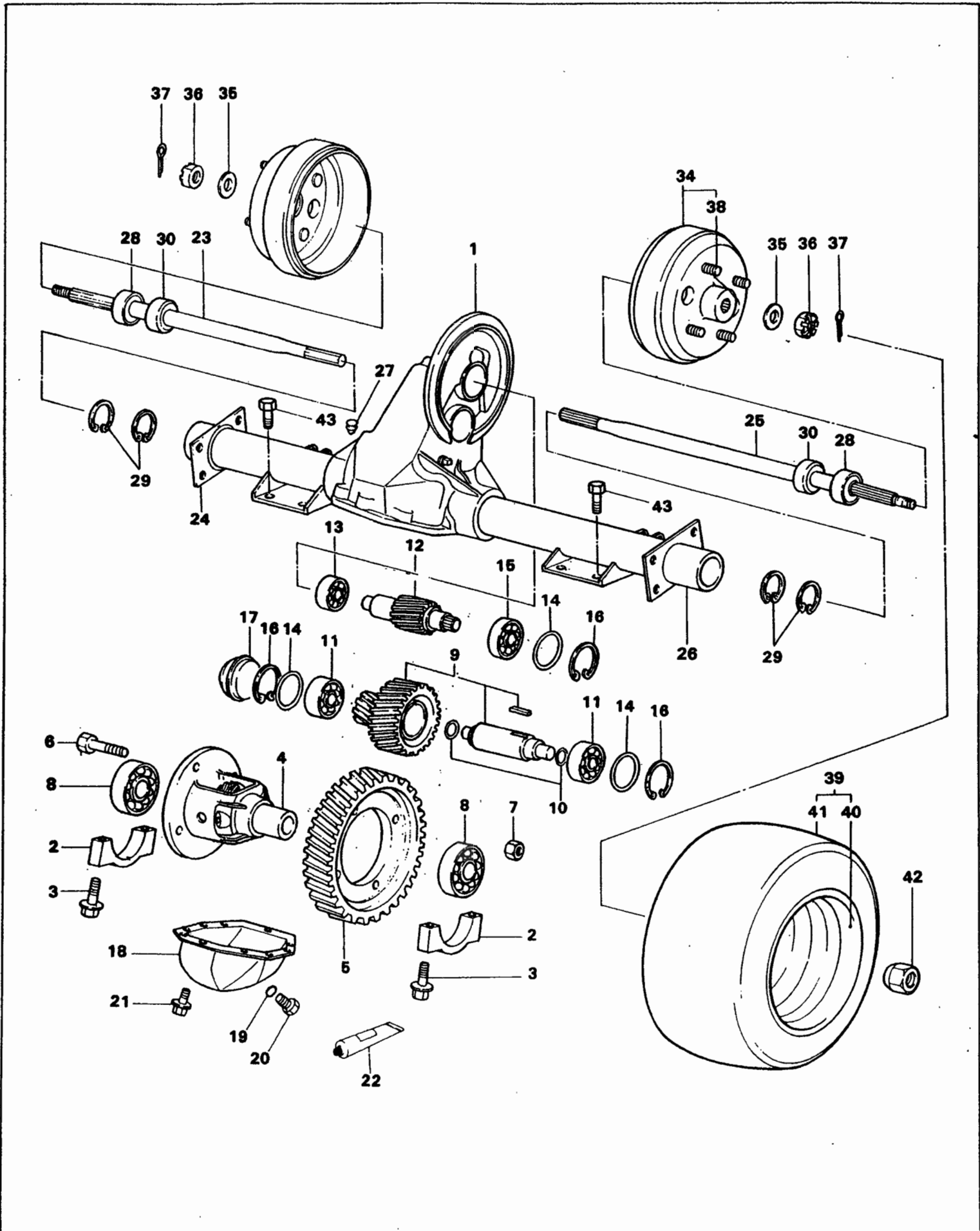
# 2-01, 02 TRANSAXLE



## 2-01, 02 TRANSAXLE

NO	PART NAME	PART NO	Q'TY	REMARK
1 ~ 30	Transaxle Ass'y	GB1-201700	1	
1	Housing		1	
2	Bearing Cap		2	
3	Bolt Bearing Cap	GB1-201788	4	
4	Diff. Case Ass'y	GB1-201746	1	
5	Ring Gear	GC1-201736	1	
6	Bolt	GC1-201490	4	
7	Nut	GC1-201480	4	
8	Bearing, Ball	GC1-201460	2	
9	Intermediate Gear Ass'y		1	
10	"O" Ring	GB1-201719	2	
11	Bearing, Ball	GC1-201450	2	
12	Input Shaft	<b>GB1-251750</b>	1	
13	Bearing, Ball	GB1-201712	1	
14	"O" Ring	GB1-201723	3	
15	Bearing, Ball	GB1-201714	1	
16	Snap Ring	GB1-201716	3	
17	Plug, Cup		1	
18	Cover, Carrier	GB1-201754	1	
19	Gasket	GB1-201784	1	
20	Plug	GB1-201782	1	
21	Bolt	GB1-201756	10	
22	Sealant, Cover Plate	GC1-201580	1	
23	Shaft, Axle (L/H)	GB1-201778	1	
24	Tube, Ass'y (L/H)		1	

# 2-01, 02 TRANSAXLE



## 2-01, 02 TRANSAXLE

NO	PART NAME	PART NO	Q'TY	REMARK
25	Shaft, Axle (R/H)	GB1-201760	1	
26	Tube Ass'y (R/H)		1	
27	Vent	GC1-201680	1	
28	Bearing, Ball	GC1-201210	2	
29	Snap Ring	GC1-202670	4	
30	Oil Seal	GB1-201790	2	
K1	Gear Set Electric	GB1-251730	1	Includes #5,9,12
K2	Carrier Bearing Kit	GB1-251710	1	Includes #8, 11, 13, 15
K3	Housing Service Ass'y	GB1-251720	1	Includes #1, 2, 3, 24, 26
K4	Seal Kit	GB1-251740	1	Includes #17, 22
34	Brake Drum	GC1-202330	2	Includes #38
35	Washer	4AJ-000112	2	5/8
36	Axle Nut	2FP-003181	2	5/8-11 UNC
37	Pin, Split	6FG-200100	2	
38	Wheel Bolt	GC1-504200	8	
39	Wheel & Tire	GC1-507010	2	Includes #40, 41
40	Wheel	GC1-507020	2	
41	Tire	GC1-507030	2	
42	Wheel Nut	GC1-202800	8	
43	Bolt	1XM-103100	8	M10, L = 16