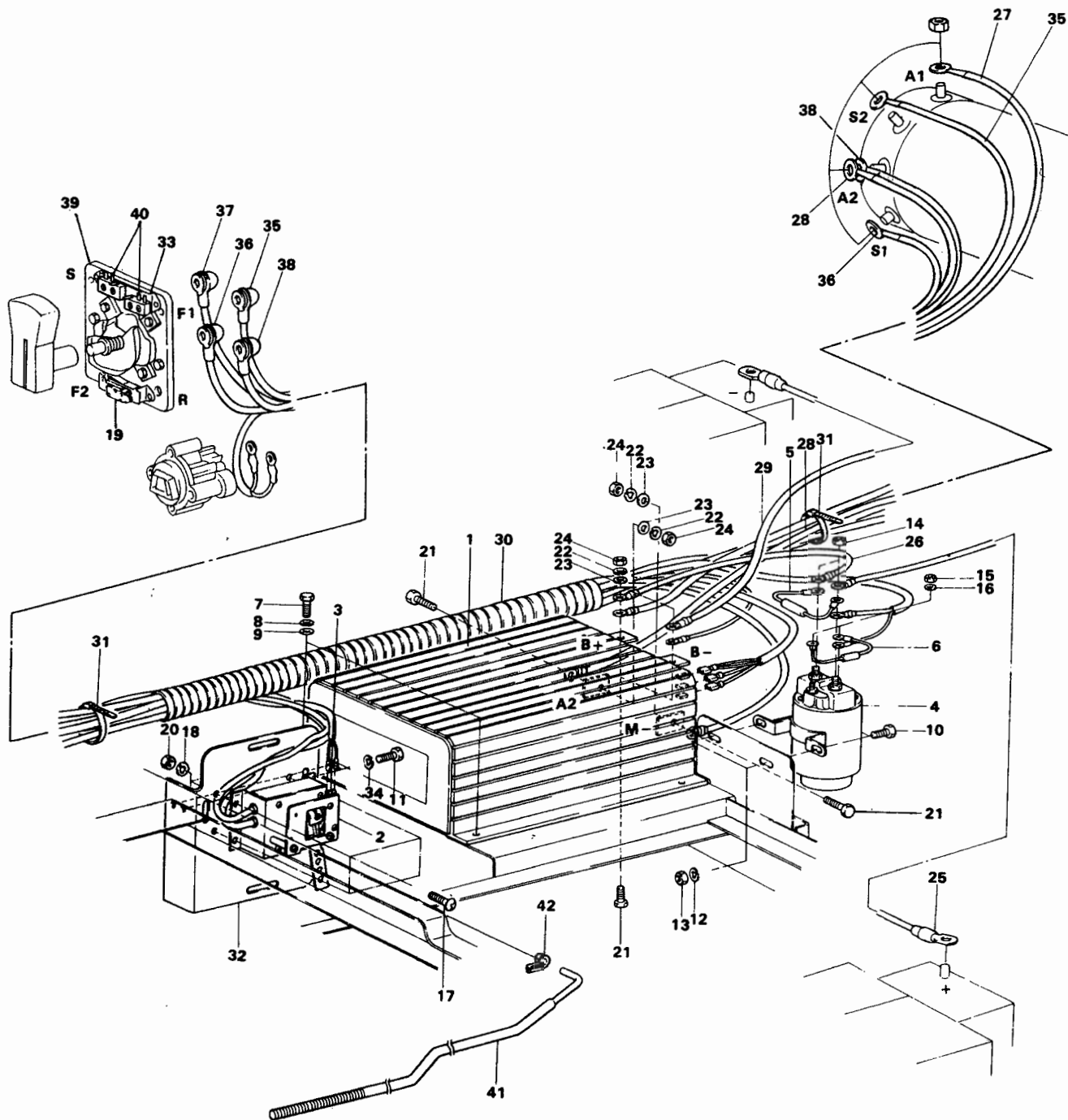


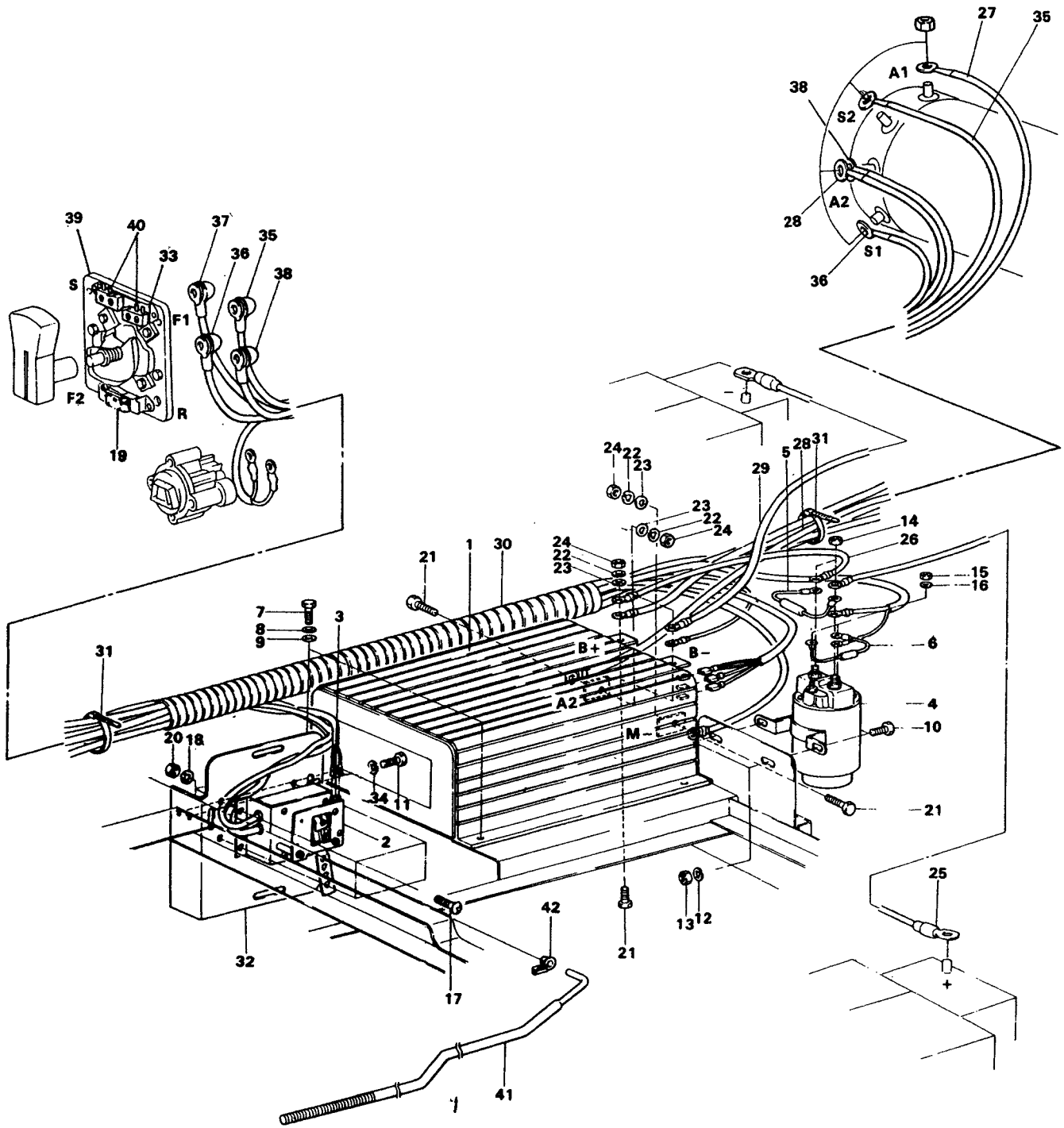
APPENDIX. ELECTRONIC CONTROLLER



APPENDIX. ELECTRONIC CONTROLLER

NO	PART NAME	PART NO	Q'TY	REMAI
1	Electronic Controller	GB1-806700	1	
2	Pot Box	GB1-806800	1	Includs: #3
3	Micro (Stop) Switch	GB1-806801	1	
4	Relay	GB1-853000	1	
5	Resistor	GB1-806903	1	
6	Diode	GB1-806902	1	
7	Bolt	1AJ-122100	4	M6 L20
8	Washer, Spring	4BE-003110	4	M6
9	Washer, Plane	4AE-000110	4	M6
10	Bolt	1AJ-102100	2	M6 L16
11	Bolt	1AL-123100	2	M8 L20
12	Washer, Spring	4BE-003110	2	M6
13	Nut	2AJ-002120	2	M6
14	Nut, Serration	2AL-002182	2	M8
15	Nut	2AI-002120	2	M5
16	Washer, Spring	4BD-003110	2	M5
17	Screw, Pan Head	3GG-302100	4	M4 L15
18	Washer, Spring	4BC-003110	4	M4
19	Micro Switch (Cut Off)	GB-808102	1	
20	Nut	2AH-002120	4	M4
21	Bolt	1AL-123'00	4	M8 L20
22	Washer, Spring	4BF-003'10	4	M8

APPENDIX. ELECTRONIC CONTROLLER



APPENDIX. ELECTRONIC CONTROLLER

NO	PART NAME	PART NO	Q'TY	REMARK
23	Washer, Plane	4AF-000110	4	M8
24	Nut	2AL-002120	4	M8
25	Wire (+ ↔ SR)	GB1-802191	1	
26	Wire (SR ↔ CB +)	GB1-802192	1	
27	Wire (A1 ↔ CB +)	GB1-802193	1	
28	Wire (A2 ↔ CA2)	GB1-802194	1	
29	Wire (- ↔ CB -)	GB1-802195	1	
30	Wire & Harness Ass'y	GB1-802170	1	
31	Wire Band	900-007000	10	
32	Pot Box Bracket	GB1-807320	1	
33	Bracket	GB1-808083	1	
34	Washer, Spring	4BF-003110	2	M8
35	Wire (F1 ↔ S2)	GB1-802084	1	
36	Wire (F2 ↔ S1)	GB1-802081	1	
37	Wire (S ↔ CM -)	GB1-802082	1	
38	Wire (R ↔ A2)	GB1-802083	1	
39	F/R Switch Ass'y	GB1-808200	1	Includes: #19, 33, 40
40	Micro Switch (Buzzer & Reverse)	GC1-808003	2	
41	Rod #3 (E Type)	GB1-301165	1	
42	Bush	GB1-301169	1	