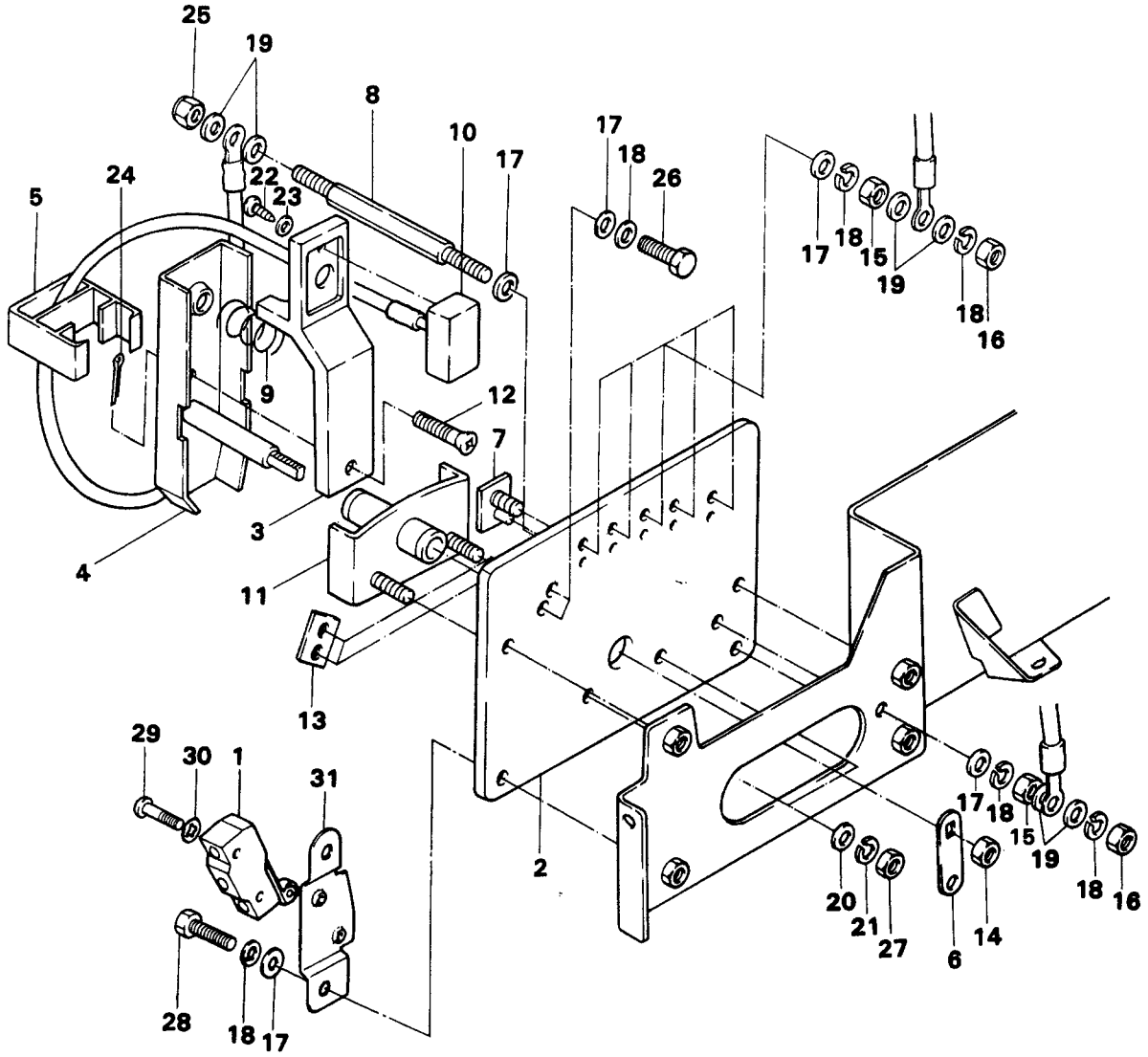


8-06 CONTROLLER

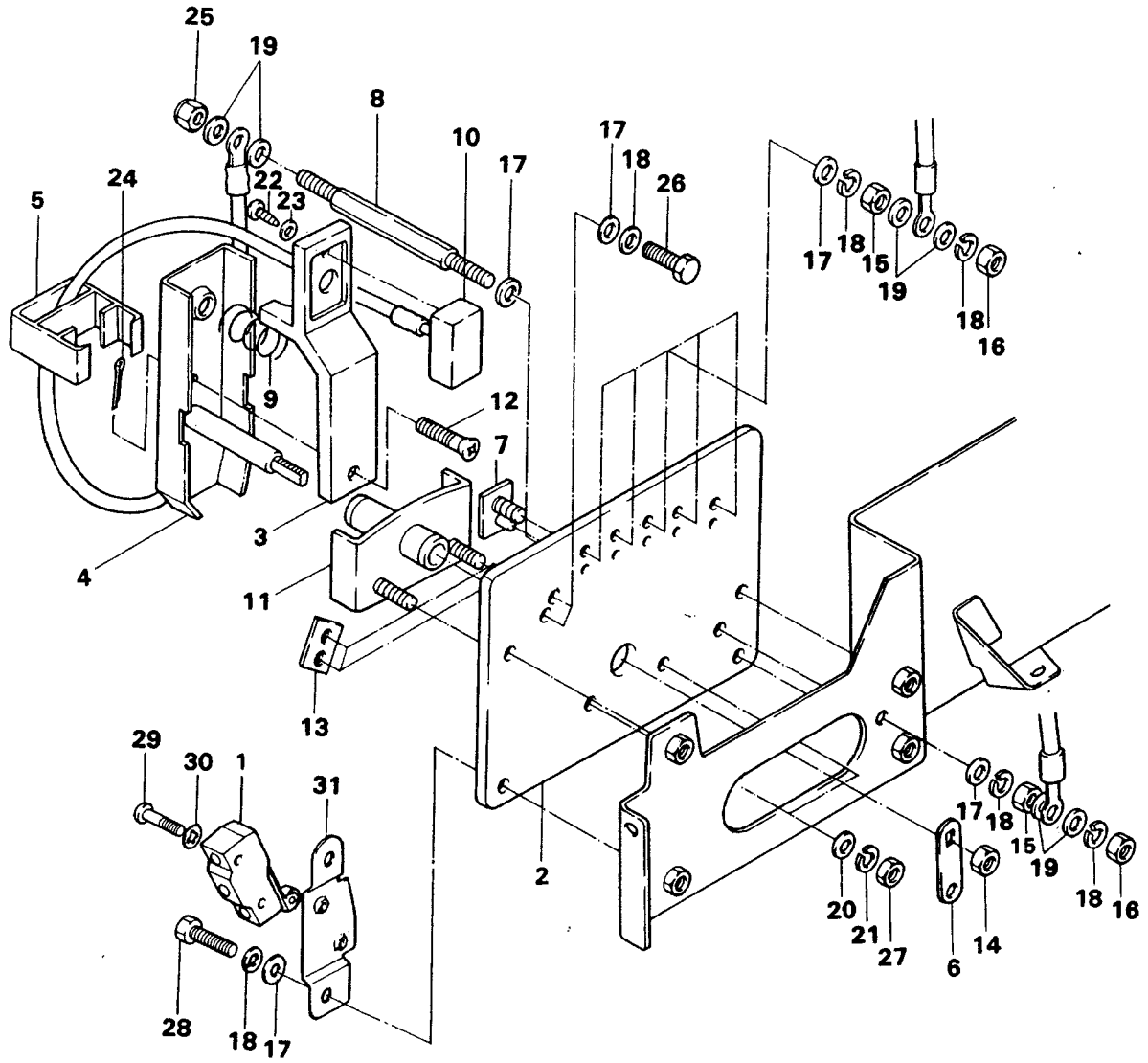


8-06 CONTROLLER

NO	PART NAME	PART NO	Q'TY	REMARK
8-06,07	Controller & Resistor Ass'y	GB1-806000	1	
1-31	Controller Ass'y	GB1-806200	1	
1	Micro Switch Ass'y (Stop)	GB1-806400	1	
2	Body	GB1-806210	1	
3	Arm	GB1-806220	1	
4	Arm Bracket & Shaft		1	
5	Wire Guide	GB1-806240	1	
6	Lever	GB1-806290	1	
7	Stationary Contact #1	GB1-806310	5	
8	Terminal	GB1-806320	1	
9	Spring	GB1-806330	1	
10	Moving Contact	GB1-806340	1	
11	Stopper & Bush		1	
12	Ball Screw	GB1-806370	1	
13	Stationary Contact #2		1	
14	Nut, Lock	2HL-002110	1	M8
15	Nut	2AJ-002120	6	M6
16	Nut	2AJ-008010	6	M6
17	Washer, Plane	4AE-000110	13	M6
18	Washer, Spring	4BE-003110	18	M6
19	Washer, Plane	4AE-008010	14	M6
20	Washer, Plane	4AF-000110	2	M8
21	Washer, Spring	4BF-003110	2	M8
22	Screw, Pan Head	3CE-252120	1	M3, L=12
23	Washer, Tooth	4CB-003110	1	M3
24	Pin, Split	6FE-090100	1	

8-05
~~8-05~~

8-06 CONTROLLER



8-06 CONTROLLER

NO	PART NAME	PART NO	Q'TY	REMARK
25	Nut, Lock	2HJ-002110	1	M6
26	Bolt	1AJ-082100	2	M6, L = 12
27	Nut	2AL-002120	2	
28	Bolt	1AJ-122100	4	M6, L = 20
29	Screw , Pan Head	3GG-432100	2	M4, L = 25
30	Washer, Tooth	4CC-003110	2	M4
31	Bracket , Micro Sw	GB1-806390	1	
K1	Stationary Contact Kit	GB1-856250	1	Includes #2, 7, 13, 15, 17, 18, 26
K2	Moving Contact Kit	GB1-856260	1	Includes #3, 4, 5, 6, 9, 10, 11, 12, 14, 22, 23, 24