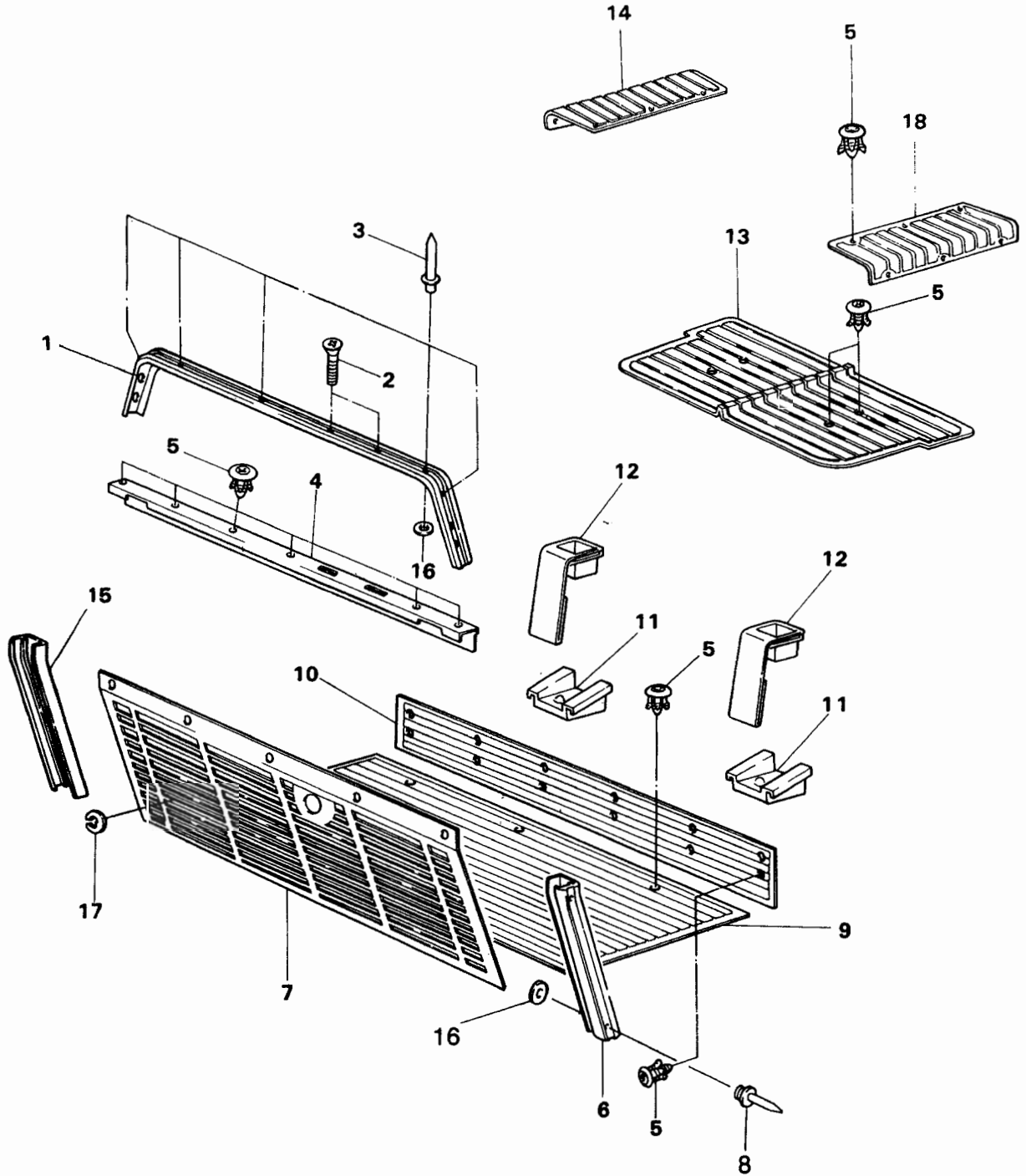


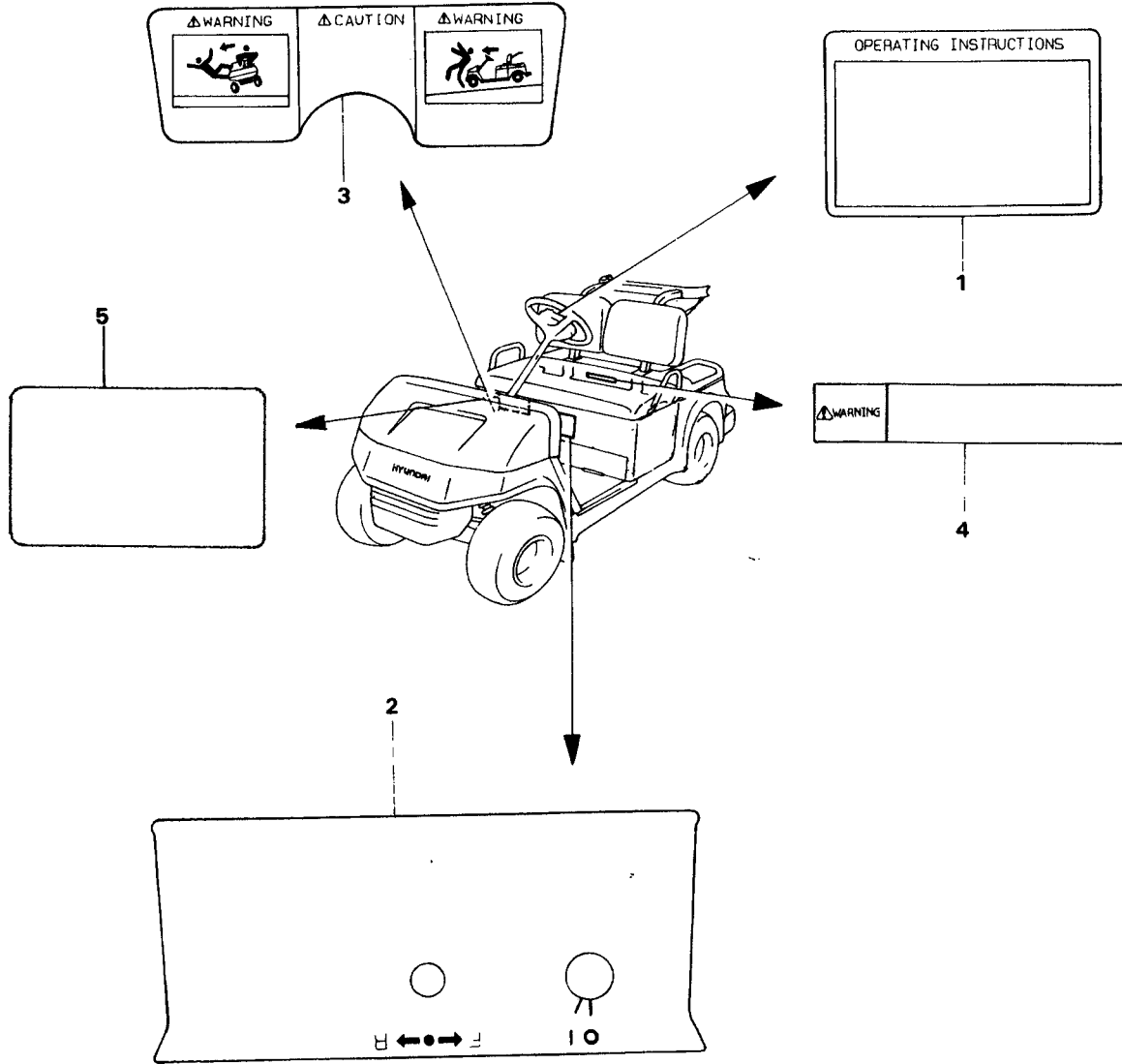
6-05 RUBBER



6-05 RUBBER

NO	PART NAME	PART NO	Q'TY	REMARK
1	Upper Cowl Trim	GC1-608100	1	
2	Screw, Plate	3AL-372300	2	M6, L = 20
3	Rivet ,Blind	5AJ-356300	5	φ4.8, L = 20 AL
4	Lower Trim	GC1-608030	1	
5	Rivet ,Plastic	5BM-177300	37	
6	Quarter Cowl Trim (L/H)	GC1-608110	1	
7	Front Mat	GC1-605020	1	
8	Rivet ,Blind	5AJ-356300	6	φ4.8 L = 20 AL
9	Floor Mat	GC1-605030	1	
10	Kick Plate Mat	GC1-605010	1	
11	Seat Bumper	GC1-605070	2	
12	Grommet (A)	GC1-605061	2	
13	Bag Well Mat	GC1-605040	1	
14	Scuff Pad (R/H)	GC1-605050	1	
15	Quarter Cowl Trim (R/H)	GC1-608120	1	
16	Washer , Plane	4AD-005010	11	M5
17	Clip ,Hook	6KO-000300	8	
18	Scuff Pad (L/H)	GC1-605150	1	

6-06 DECAL



6-06 DECAL

NO	PART NAME	PART NO	Q'TY	REMARK
1	Operating Decal	GC1-606030	1	
2	Direction Decal	GB1-656010	1	
3	Caution Decal	GC1-606020	1	
4	Resistor Decal	GB1-606080	1	
5	Battery Layout Decal	GB1-606070	1	