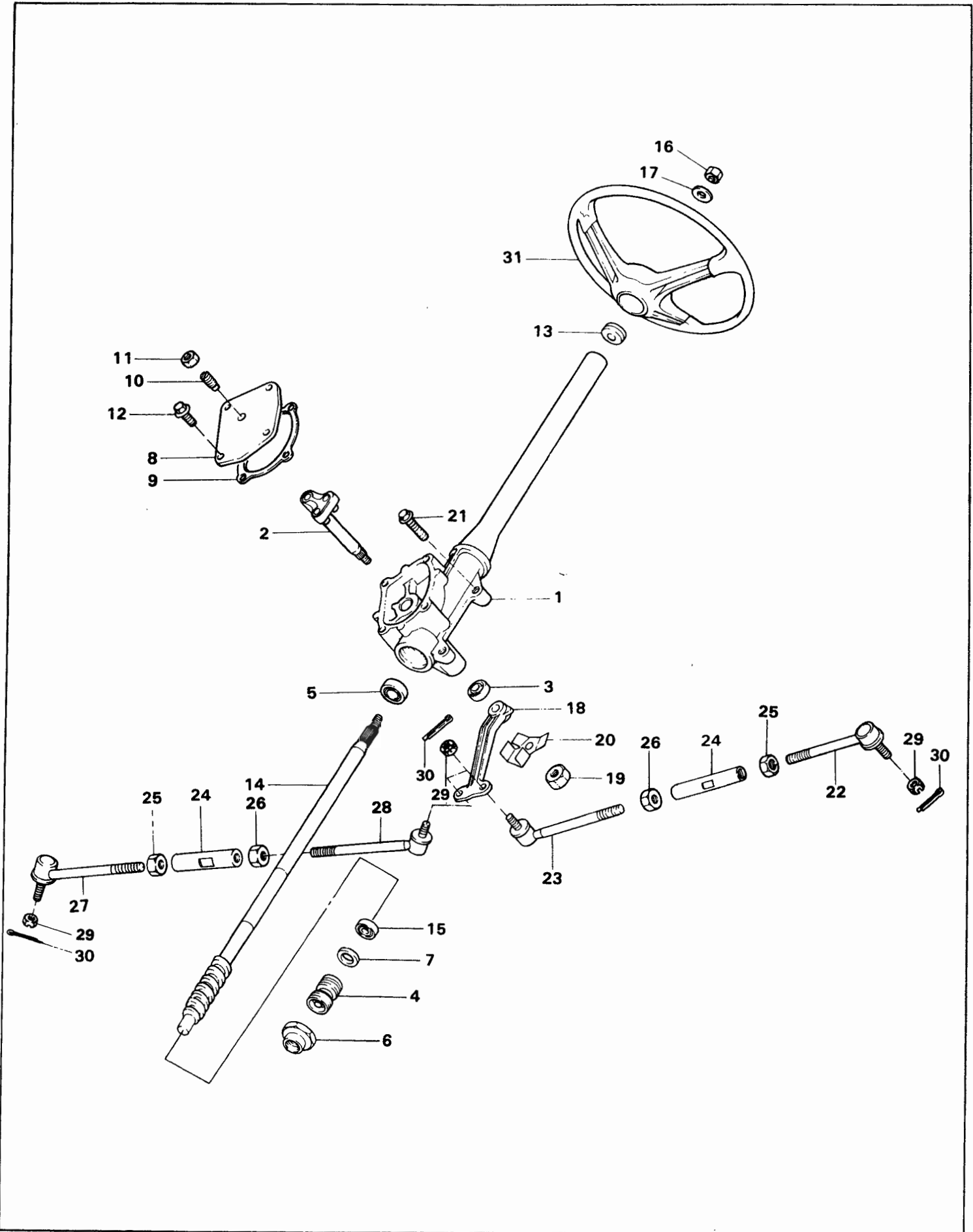
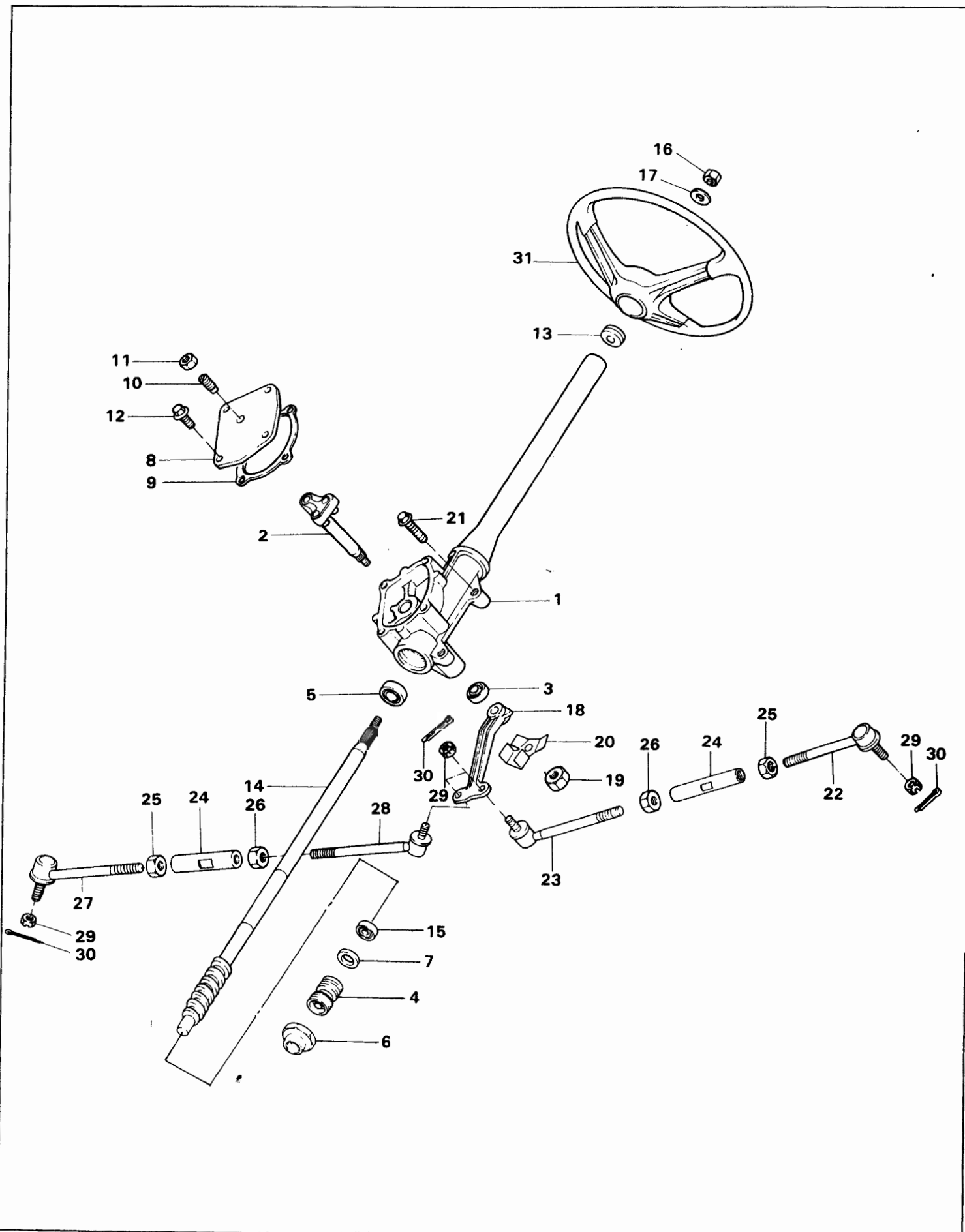


### 4-01 ~ 04 STEERING ASSEMBLY



**4-01 ~ 04 STEERING ASSEMBLY**

NO	PART NAME	PART NO	Q'TY	REMARK
1 ~ 15	Steering Ass'y	GC1-402010	1	
1	Column & Gear Box	GC1-402100	1	
2	Pitman Arm	GC1-402190	1	
3	Oil Seal		1	
4	Adjusting Bolt	GC1-402120	1	
5	Bearing	832 -004XJ0	1	
6	Nut	GC1-402130	1	
7	Ring		1	
8	Cover	GC1-402170	1	
9	Gasket	GC1-402160	1	
10	Adjusting Screw	3LL-113120	1	M8, L = 18
11	Nut	2AL-002120	1	M8
12	Bolt , Flange	1LJ-121100	4	M6, L = 20
13	Packing Seal		1	
14	Steering Shaft	GC1-402110	1	
15	Bearing	830-0203J0	1	
16	Nut	2AN-000120	1	M12
17	Washer, Plane	4AH-000110	1	M12
18	Idler Arm	GC1-403010	1	
19	Nut	2UP-001100	1	M16
20	Lock Washer	GC1-402180	1	
21	Bolt , Flange	1XM-273100	4	M10, L = 50
22 ~ 26	Tie Rod Ass'y (L/H)	GC1-404010	1	
24 ~ 28	Tie Rod Ass'y (R/H)	GC1-404011	1	
22	Tie Rod End (L/H-CW)	GC1-404130	1	
23	Tie Rod End (L/H-CCW)	GC1-404131	1	

**4-01 ~ 04 STEERING ASSEMBLY**

**4-01 ~ 04 STEERING ASSEMBLY**

NO	PART NAME	PART NO	Q'TY	REMARK
24	Tie Rod	GC1-404110	2	
25	Nut (CW)	2AO-002120	2	M14
26	Nut (CCW)	2AO-002160	2	M14
27	Tie Rod End (R/H-CW)	GC1-404132	1	
28	Tie Rod End (R/H-CCW)	GC1-404133	1	
29	Castle Nut	2NM-003120	4	M10
30	Pin , Split	6FF-130100	4	
31	Steering Wheel	GC1-402119	1	
K1	Steering Seal Kit	GC1-402500	1	Includes #3, 7, 13