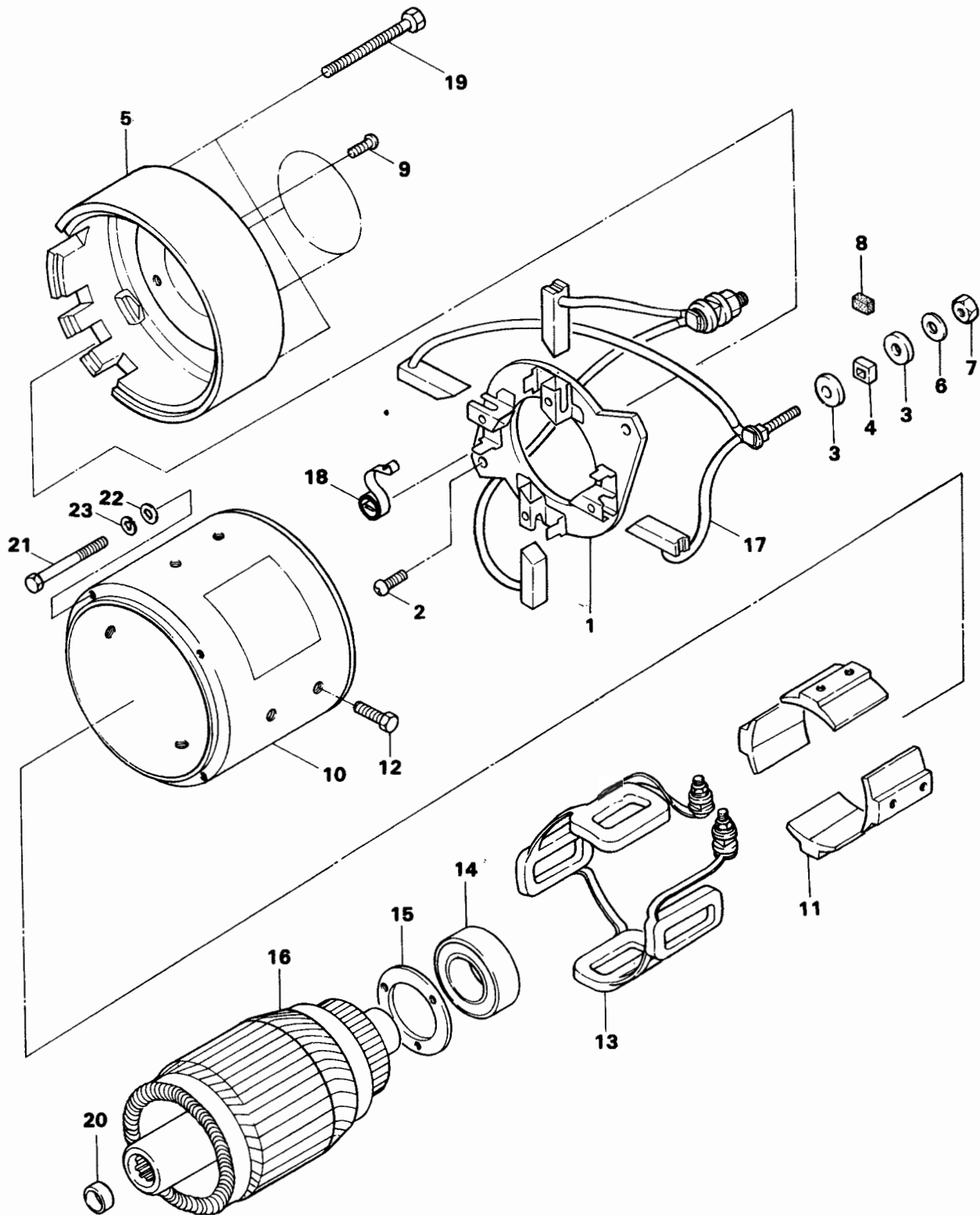


8-01 TRACTION MOTOR

NEW Model (A)
#A005595 and Above

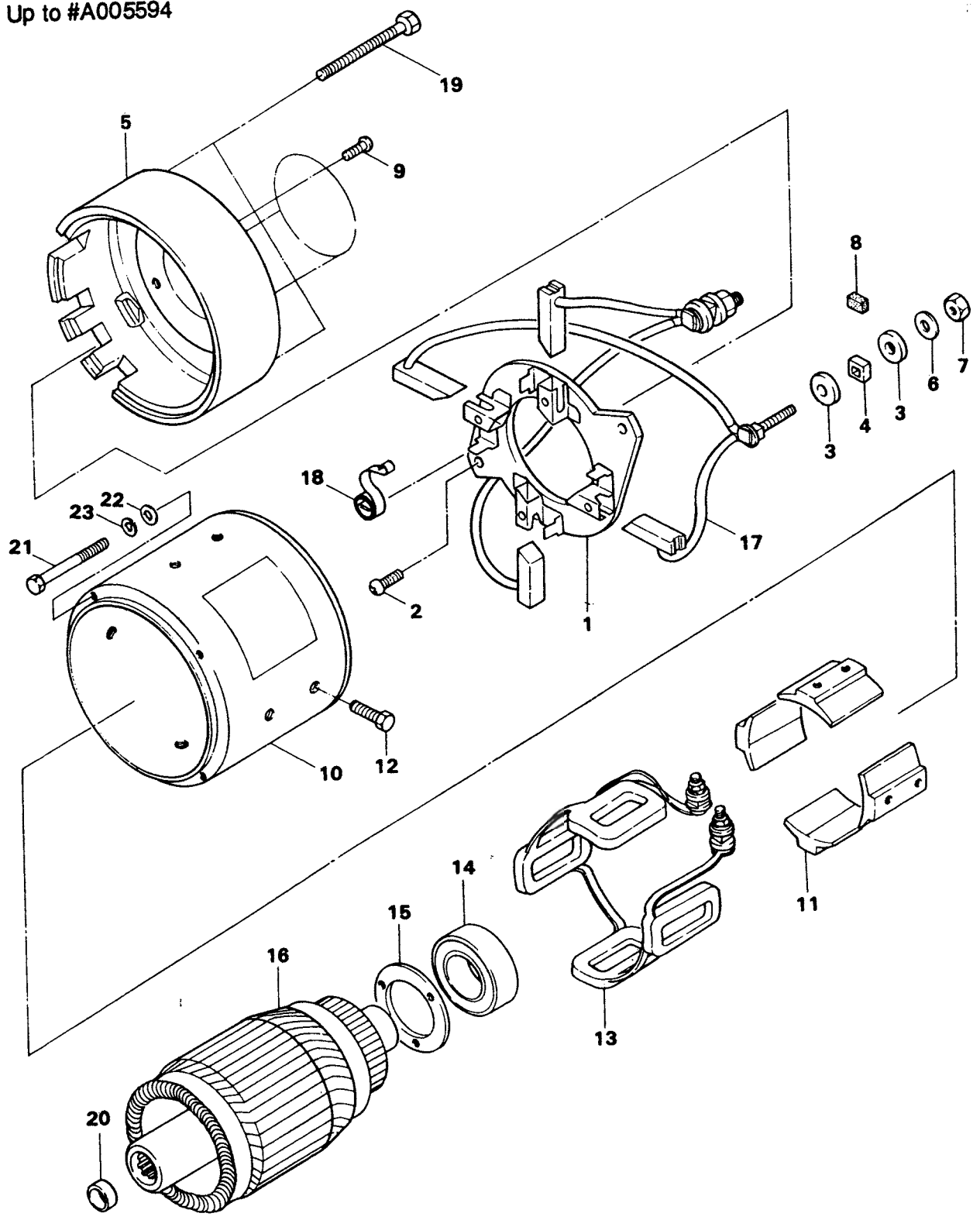


8-01 TRACTION MOTOR

NO	PART NAME	PART NO	Q'TY	REMARK
1 ~ 20	Traction Motor Ass'y (A)	GB1-851900	1	#A005595and Above
1	Brush Holder Ass'y	GB1-851064	1	Includes #18
2	Screw	3GG-190200	2	M4, L = 8
3	Washer, Insulation	GB1-801024	8	
4	Insulation Bush	GB1-801025	4	
5	Commutator end Bracket	GB1-851055	1	
6	Washer, Plane	4AF-000110	4	
7	Nut, Serration	2AL-002182	4	M8
8	Gasket	GB1-801026	4	
9	Screw	3GG-302100	3	M4, L = 15
10	State Housing	GB1-851021	1	
11	Pole	GB1-851023	4	
12	Bolt	1AJ-122100	8	M6, L = 20
13	Field Coil	GB1-851022	1	
14	Bearing	862-03ZZ00	1	
15	Retainer	GB1-851002	1	
16	Armature Ass'y	GB1-851035	1	Includes #14, 15
17	Brush Ass'y	GB1-851062	2	
18	Brush Spring	GB1-851063	4	
19	Bolt	1AJ-393270	2	M6, L = 70
20	Resilient Bumper	GB1-801045	1	
21	Bolt	1AJ-304181	3	1/4-20 UNC
22	Washer, Plane	4AE-000110	3	M6
23	Washer, Spring	4BE-003110	3	M6
K1	Traction Motor Ass'y (2.5 HP)	GB1-851925	1	OPTION (Assembly Only)

8-01 TRACTION MOTOR

OLD TYPE
Up to #A005594



8-01 TRACTION MOTOR

NO	PART NAME	PART NO	Q'TY	REMARK
1 ~ 20	Traction Motor Ass'y (OLD)	GB1-801001	1	Up to #A005594
1	Brush Holder Ass'y	GB1-801064	1	Includes #18
2	Screw	3GG-190281	2	
3	Washer, Insulation	GB1-801024	8	
4	Insulation Bush	GB1-801025	4	
5	Commutator end Bracket	GB1-801055	1	
6	Washer, Plane	4AF-000110	4	
7	Nut	2AL-000181	4	
8	Gasket	GB1-801026	4	
9	Screw	3GG-300281	3	
10	State Housing	GB1-801021	1	
11	Pole	GB1-801023	4	
12	Bolt	1AJ-122181	8	
13	Field Coil	GB1-801022	1	
14	Bearing	GB1-801003	1	
15	Retainer	GB1-801002	1	
16	Armature Ass'y	GB1-801035	1	Includes #14, 15
17	Brush Ass'y	GB1-801062	2	
18	Brush Spring	GB1-801063	4	
19	Bolt	1AJ-393281	2	
20	Resilient Bumper	GB1-801045	1	
21	Bolt	1AJ-304181	3	1/4-20 UNC
22	Washer, Plane	4AE-000110	3	M6
23	Washer, Spring	4BE-003110	3	M6