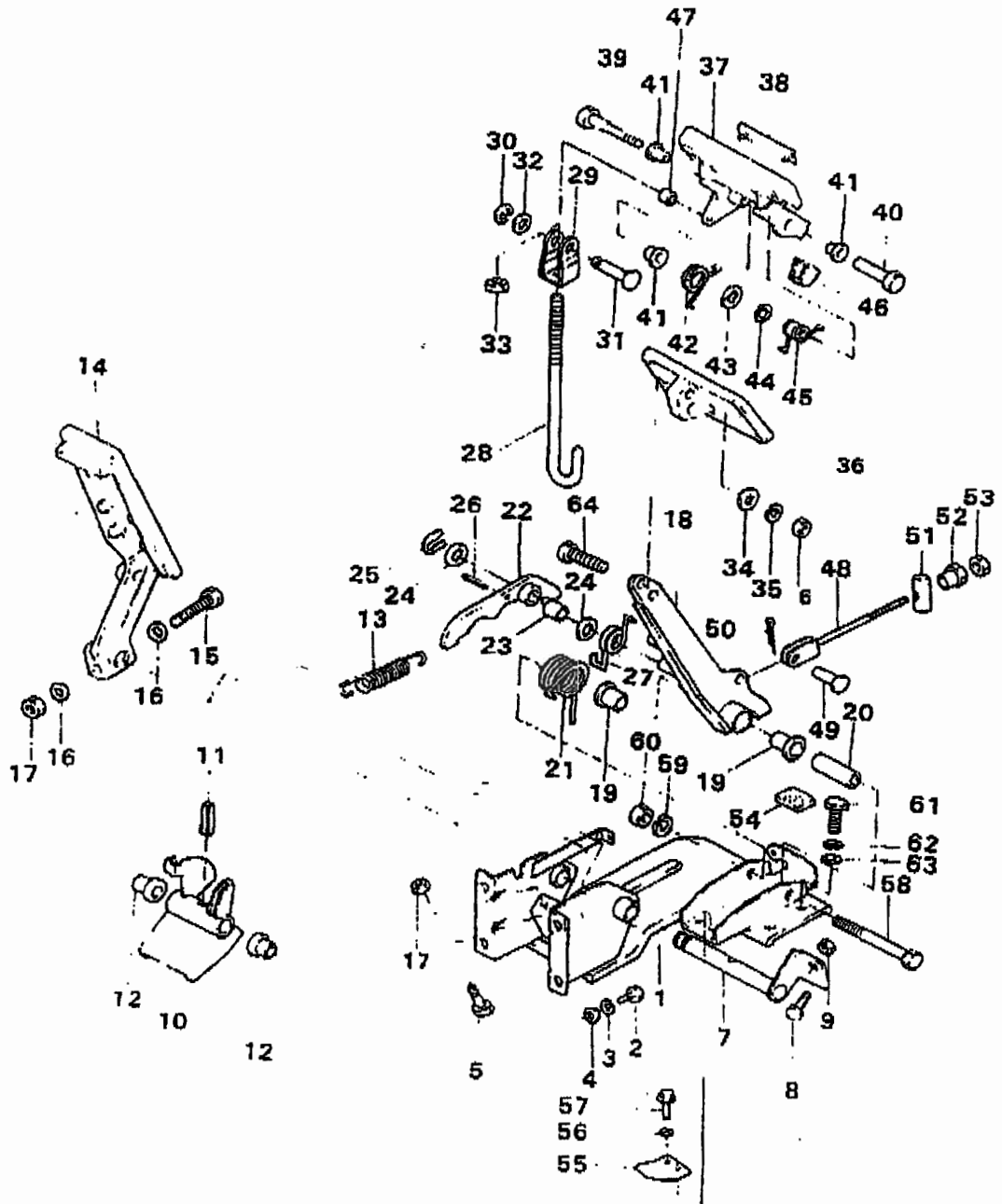


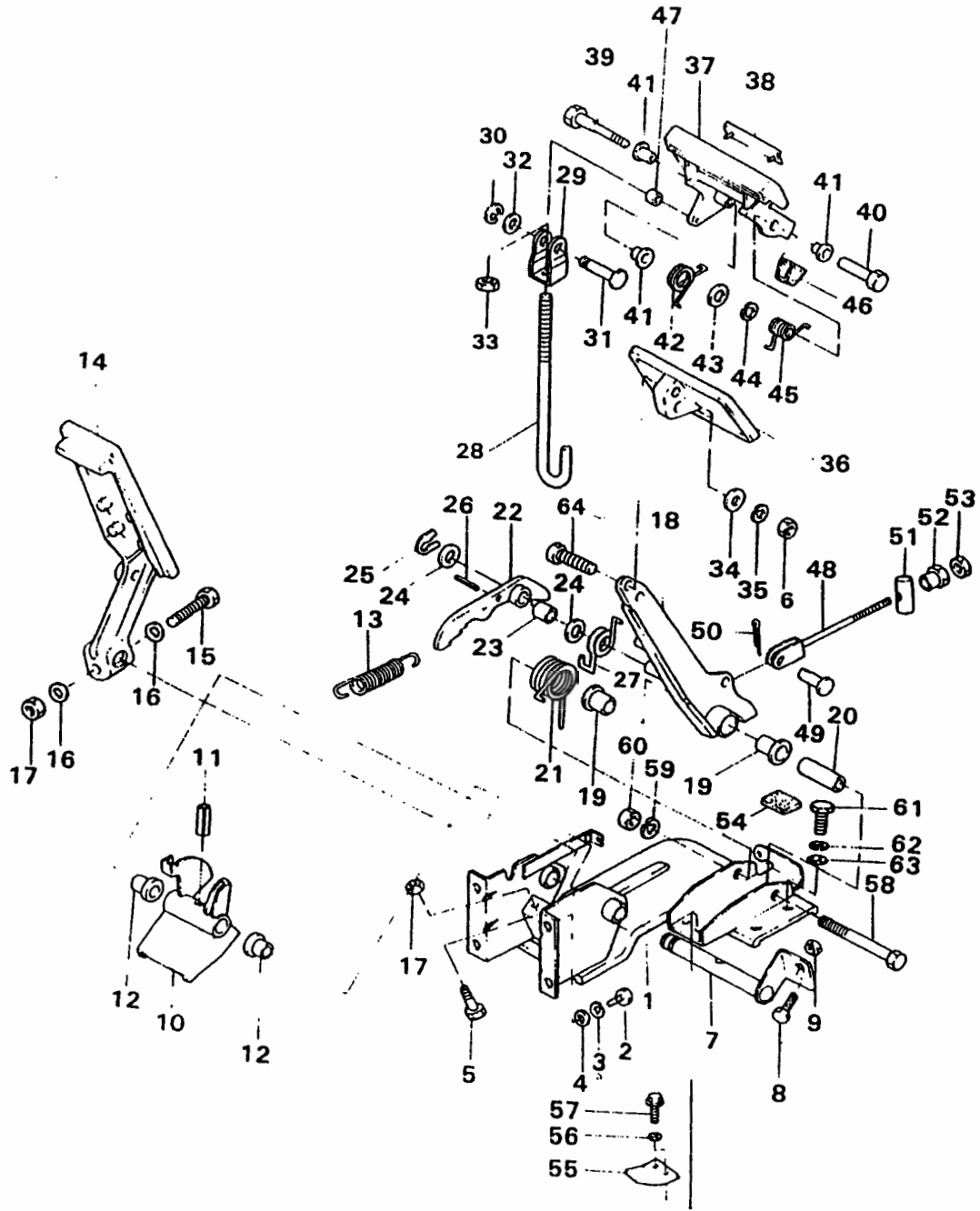
### 3-01, 02 ACCELERATOR AND BRAKE LINKAGE



### 3-01, 02 ACCELERATOR AND BRAKE LINKAGE

NO	PART NAME	PART NO	Q'TY	REMARK
1-64	Pedal Ass'y	GG1-301010	1	
1	Bracket	GG1-302013	1	
2	Bolt, Clear	1AJ-102182	4	M6, L = 16
3	Washer, Spring	4BE-003110	4	M6
4	Washer, Plane	4AE-000110	4	M6
5	Bolt	1AJ-142100	1	M6, L = 25
6	Nut	2AJ-002120	2	M6
7	Shaft	GC1-301130	1	
8	Release Bolt	1AL-143182	1	M8, L = 25
9	Nut	2AL-002120	1	M8
10	Arm	GG1-301240	1	
11	Spring Pin	6EK-149000	1	
12	Bush		2	
13	Tension Spring	GC1-301170	1	
14	Accelerator Pedal	GC1-301110	1	
15	Bolt	1AJ-182100	1	M6, L = 35
16	Washer, Plane	4AE-000110	2	M6
17	Nut	2AJ-002120	2	M6
18	Brake Arm	GC1-302020	1	
19	Bush		2	
20	Collar	GC1-302029	1	
21	Spring		1	
22	Bracket	GC1-302130	1	Includes #23, 25, 26
23	Bush		1	
24	Washer, Plane	4AG-005010	2	M10
25	Circle	7AR-070330	1	

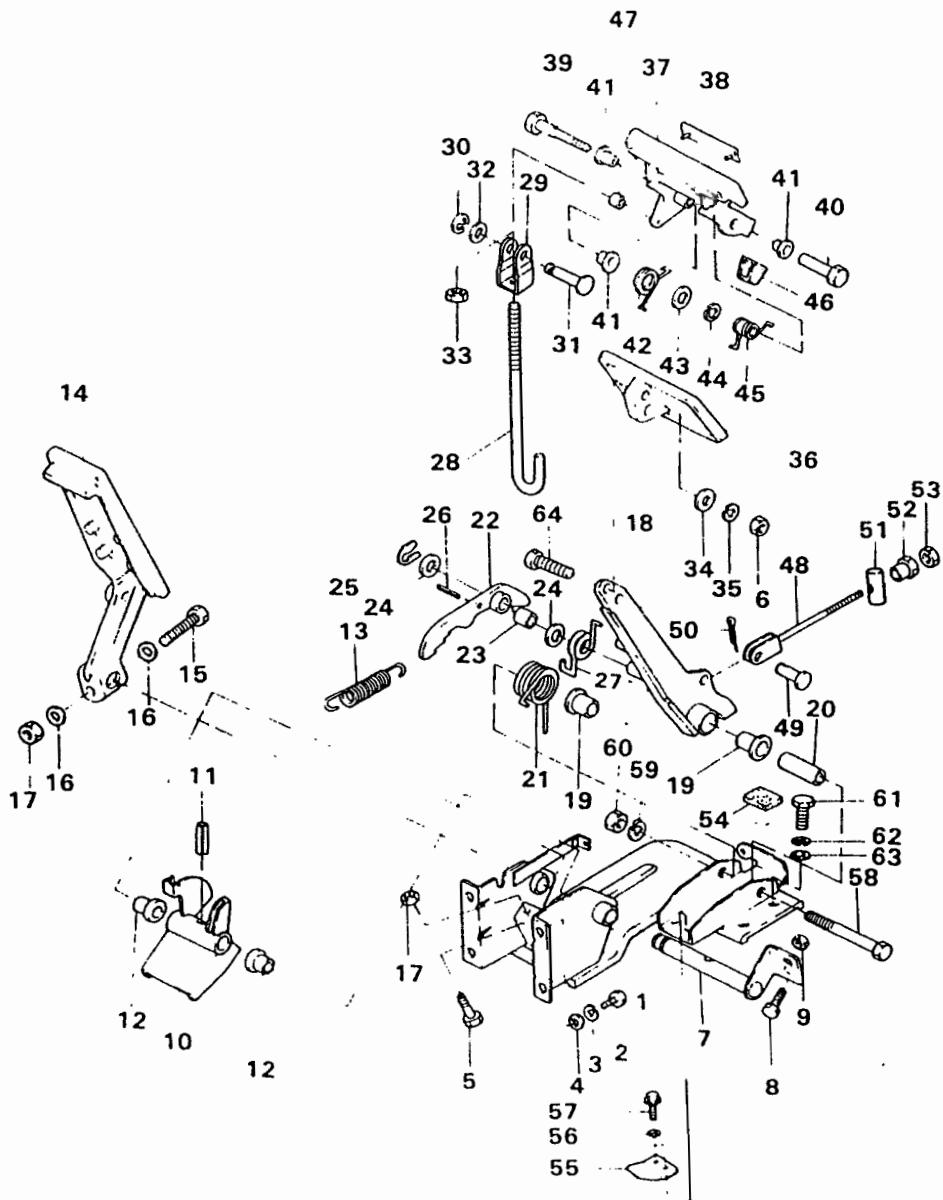
### 3-01, 02 ACCELERATOR AND BRAKE LINKAGE



### 3-01, 02 ACCELERATOR AND BRAKE LINKAGE

NO	PART NAME	PART NO	Q'TY	REMARK
26	Pin, Spring	6EI-089000	1	
27	Torsion Spring		1	
28 ~ 33	Rod #1 Kit	GC1-302534	1	
28	Rod #1		1	
29	Clevis		1	
30	Circlip	7AR-040330	1	
31	Pin		1	
32	Washer, Plane	4AD-000110	1	M5
33	Nut	2AJ-002120	2	M6
34	Washer, Plane	4AE-000110	1	M6
35	Washer, Spring	4BE-003110	1	M6
36	Brake Pedal	GC1-302110	1	
37	Parking Pedal	GC1-302100	1	
38	Pad #1	GC1-302180	1	
39	SP Bolt	GC1-302190	1	
40	SP Nut	GC1-302191	1	
41	Bush		3	
42	Spring		1	
43	Washer, Plane	4AF-000110	1	M8
44	Washer, Spring	4BF-003110	1	M8
45	Spring		1	
46	Cushion		2	
47	Bush		1	
48 ~ 53	Rod #2 Kit	GC1-302531	1	
48	Rod #2		1	
49	Pin		1	
50	Pin, Split	6FF-130100	1	

### 3-01, 02 ACCELERATOR AND BRAKE LINKAGE



**3-01, 02 ACCELERATOR AND BRAKE LINKAGE**

NO	PART NAME	PART NO	Q'TY	REMARK
51	Pin		1	
52	Adjust Nut		1	
53	Nut	2AL-002120	1	M8
54	Pad #2	GC1-302341	1	
55	Nail, Brake Stopper	GC1-302420	1	
56	Washer, Spring	4BF-003110	2	M8
57	Bolt	1AL-123100	2	M8, L = 20
58	Bolt	1XM-394140	1	M10, L = 70
59	Washer, Spring	4BG-003110	1	M10
60	Nut	2UM-004110	1	M10
61	Bolt, Clear	1AL-123182	4	M8, L = 20
62	Washer, Spring	4BF-003110	4	M8
63	Washer, Plane	4AF-240112	4	M8
64	Bolt	1AJ-182100	1	M8, L = 35
K1	Spring Kit, Brake Pedal	GC1-302510	1	Includes #21,27,42,45
K2	Bush Kit, Brake Pedal	GC1-302520	1	Includes #12, 19, 23, 38, 41, 46, 47, 54