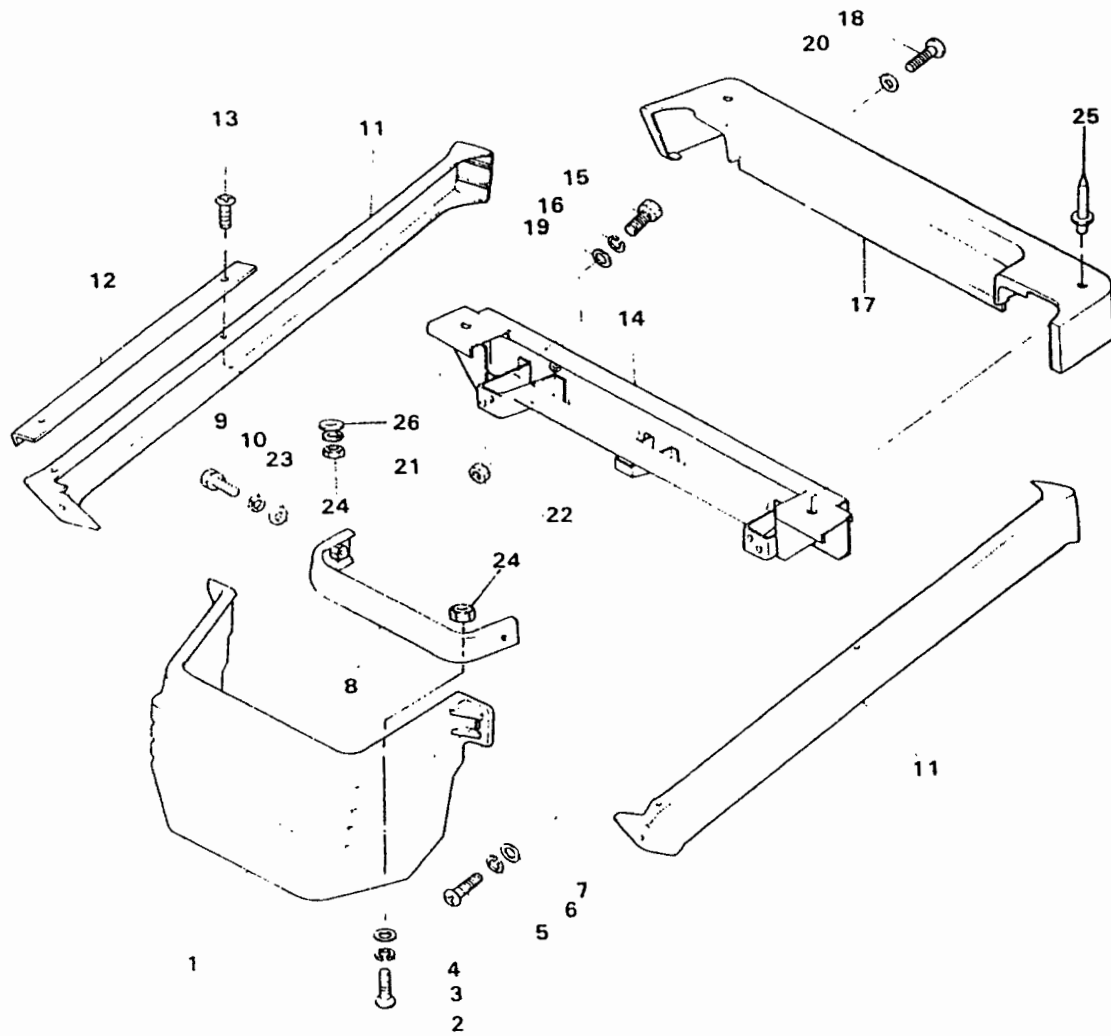


# 6-02 BUMPER



### 6-02 BUMPER

NO	PART NAME	PART NO	Q'TY	REMARK
1	Front Bumper	GC1-602010	1	
2	Screw , Truss Head	3EL-372300	2	M6, L = 20
3	Washer , Spring	4BE-003110	2	M6
4	Washer , Plane	4AE-180112	2	M6
5	Screw , Truss Head	3EL-372300	2	M6, L = 20
6	Washer , Spring	4BE-003110	2	M6
7	Washer , Plane	4AE-180112	2	M6
8	Front Bumper Insert	GC1-701370	1	
9	Bolt	1AL-123100	2	M8, L = 20
10	Washer , Spring	4BF-003110	2	M8
11	Side Bumper	GC1-602030	2	
12	Foot Protector	GC1-707102	2	
13	Screw , Truss Head	3EL-375000	4	M6, L = 20
14	Rear Bumper Insert	GC1-705000	1	
15	Bolt	1ZM-273130	4	M10, L = 50
16	Washer , Spring	4BG-003110	4	M10
17	Rear Bumper	GC1-602040	1	
18	Screw , Truss Head	3EL-372300	2	M6, L = 20
19	Washer , Plane	4AG-000110	4	M10
20	Washer , Plane	4AE-180312	2	M6
21	Washer , Spring	4BE-003110	4	M6
22	Nut	2AL-002120	2	M8
23	Washer , Plane	4AF-000110	2	M8
24	Nut	2AJ-002120	6	M6
25	Rivet , Blind	5AJ-196300	2	φ 4.8 L = 11, AL
26	Washer , Plane	4AE-150112	4	M6