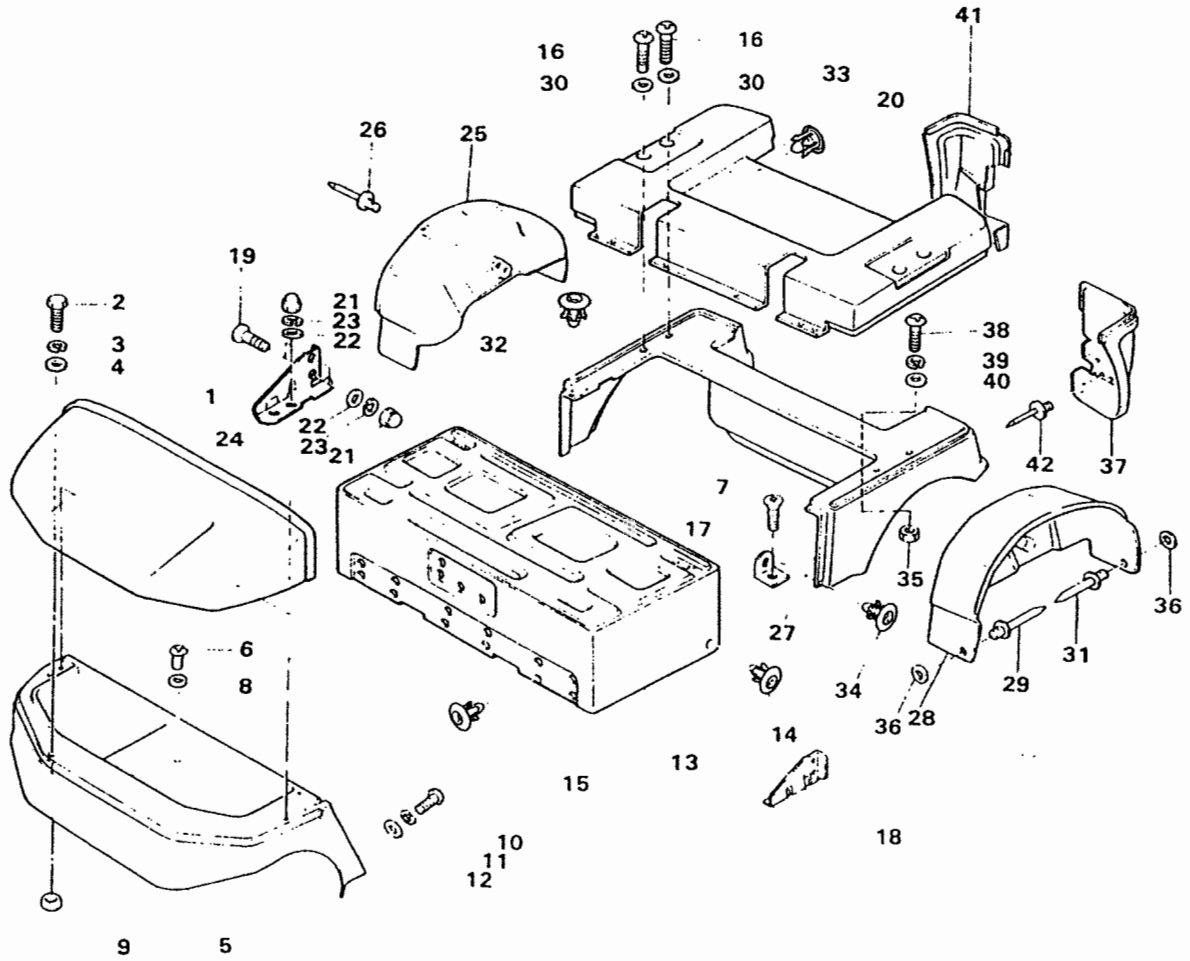


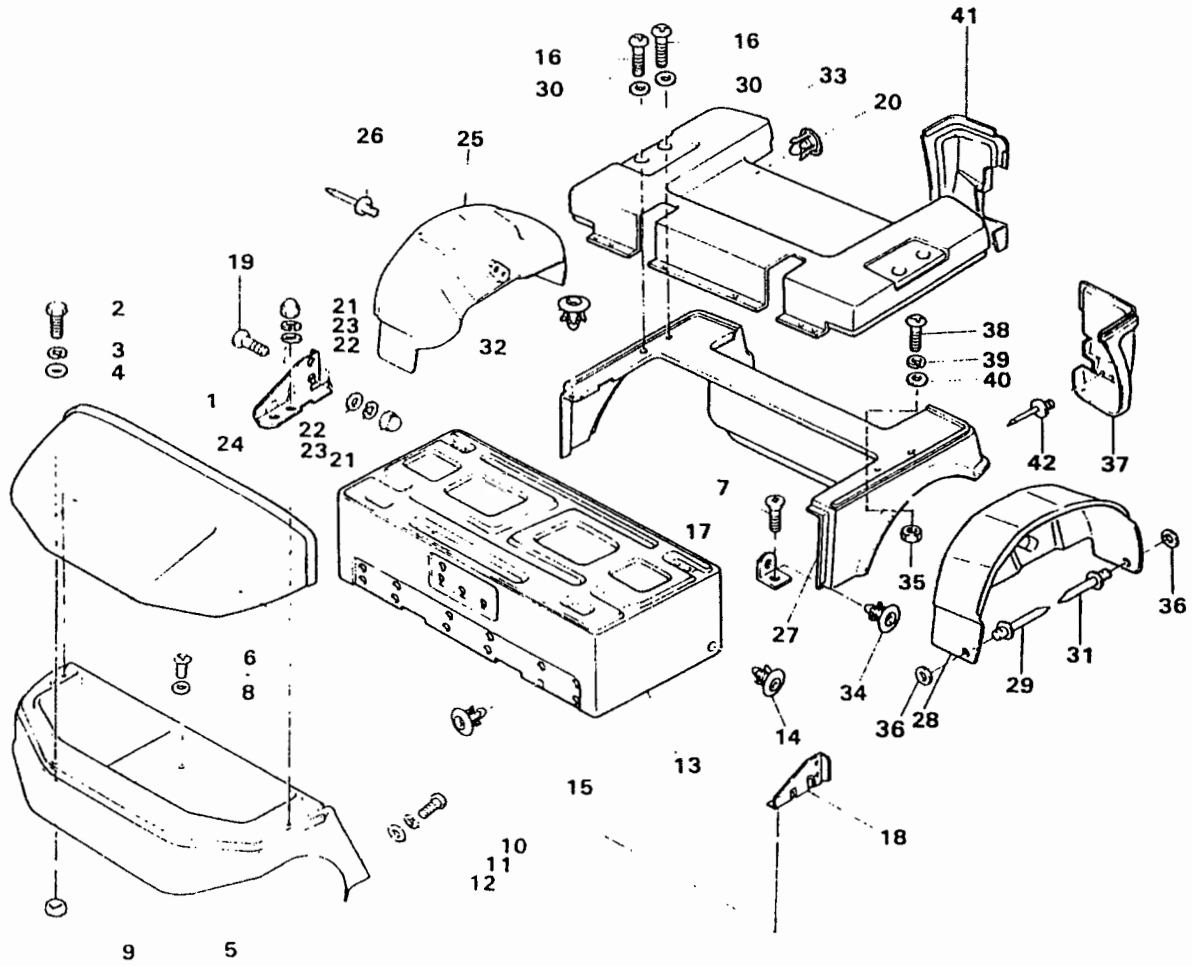
6-01 COWL



6-01 COWL

NO	PART NAME	PART NO	Q'TY	REMARK
1	Front Upper Cowl	GC1-601010	1	
2	Bolt	1AJ-122100	4	M6, L = 20
3	Washer ,Spring	4BE-003110	4	M6
4	Washer ,Plane	4AE-150112	4	M6
5	Front Lower Cowl	GC1-601020	1	
6	Screw ,Pan Head	3GL-375000	2	M6, L = 20
7	Screw, Truss Head	3EL-232300	2	M6 L = 10
8	Washer ,Plane	4AE-155012	2	M6
9	Nut	2AJ-002120	4	M6
10	Screw ,Pan Head	3GL-372100	2	M6, L = 20
11	Washer ,Spring	4BE-003110	2	M6
12	Washer ,Plane	4AE-150112	2	M6
13	Seat Cowl	GC1-601050	1	
14	Rivet ,Plastic	5BN-237200	2	
15	Rivet ,Plastic	5BM-177200	4	
16	Screw ,Pan Head	3GL-372100	4	M6 L = 20
17	R/R Cowl Lower Bracket	GC1-707210	2	
18	Front Cowl Upper Bracket (L/H)	GC1-707220	1	
19	Screw, Plate	3AL-432300	4	M6 L = 25
20	Rivet ,Plastic	5BM-177200	5	
21	Nut ,Cap	2KJ-118220	8	M6
22	Washer ,Plane	4AE-155012	8	M6
23	Washer ,Spring	4BE-005010	8	M6
24	Front Cowl Upper Bracket (R/H)	GC1-707221	1	
25	Wheel Cover (R/H)	GC1-603300	1	

6-01 COWL



6-01 COWL

NO	PART NAME	PART NO	Q'TY	REMARK
26	Rivet ,Blind	5AJ-256310	4	$\phi 4.8$ L = 14 AL
27	Rear Lower Cowl	GC1-601040	1	
28	Wheel Cover (L/H)	GC1-603010	1	
29	Rivet ,Blind	5AJ-256310	2	$\phi 4.8$ L = 14,AL
30	Washer ,Plane	4AE-150112	4	M6
31	Rivet ,Blind	5AJ-256310	2	$\phi 4.8$ L = 14,AL
32	Rivet ,Plastic	5BM-177200	8	
33	Rear Upper Cowl	GC1-601030	1	
34	Rivet ,Plastic	5BM-177200	2	
35	Nut	2AJ-002120	2	M6
36	Washer ,Plane	4AD-140112	4	M5
37	Fender Corner (L/H)	GC1-603210	1	
38	Screw, Pan Head	3GL-372100	2	M6, L = 20
39	Washer ,Spring	4BE-003110	2	M6
40	Washer ,Plane	4AE-150112	2	M6
41	Fender Corner (R/H)	GC1-603220	1	
42	Rivet ,Blind	5AJ-256300	4	$\phi 4.8$ L = 14 AL