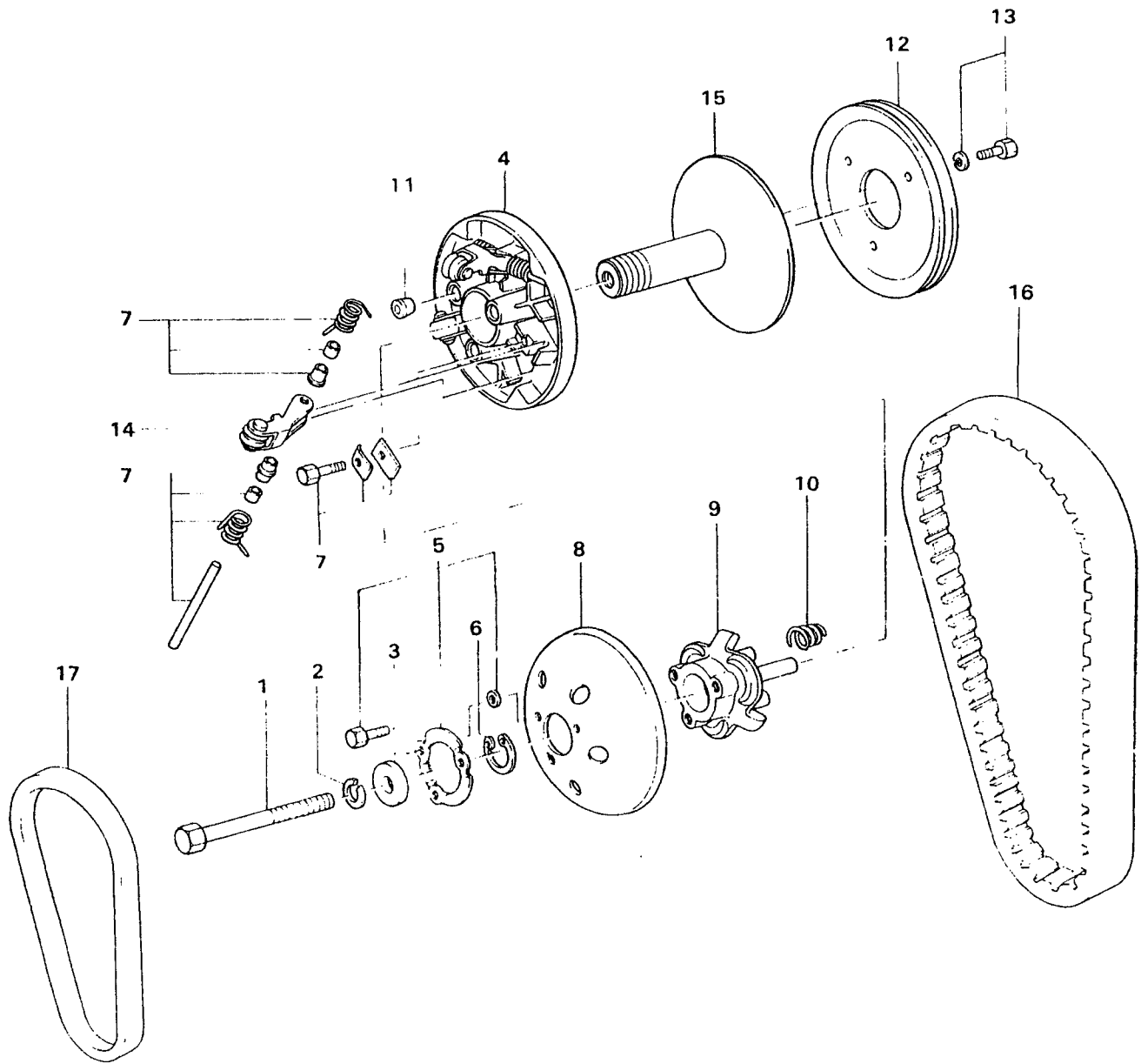


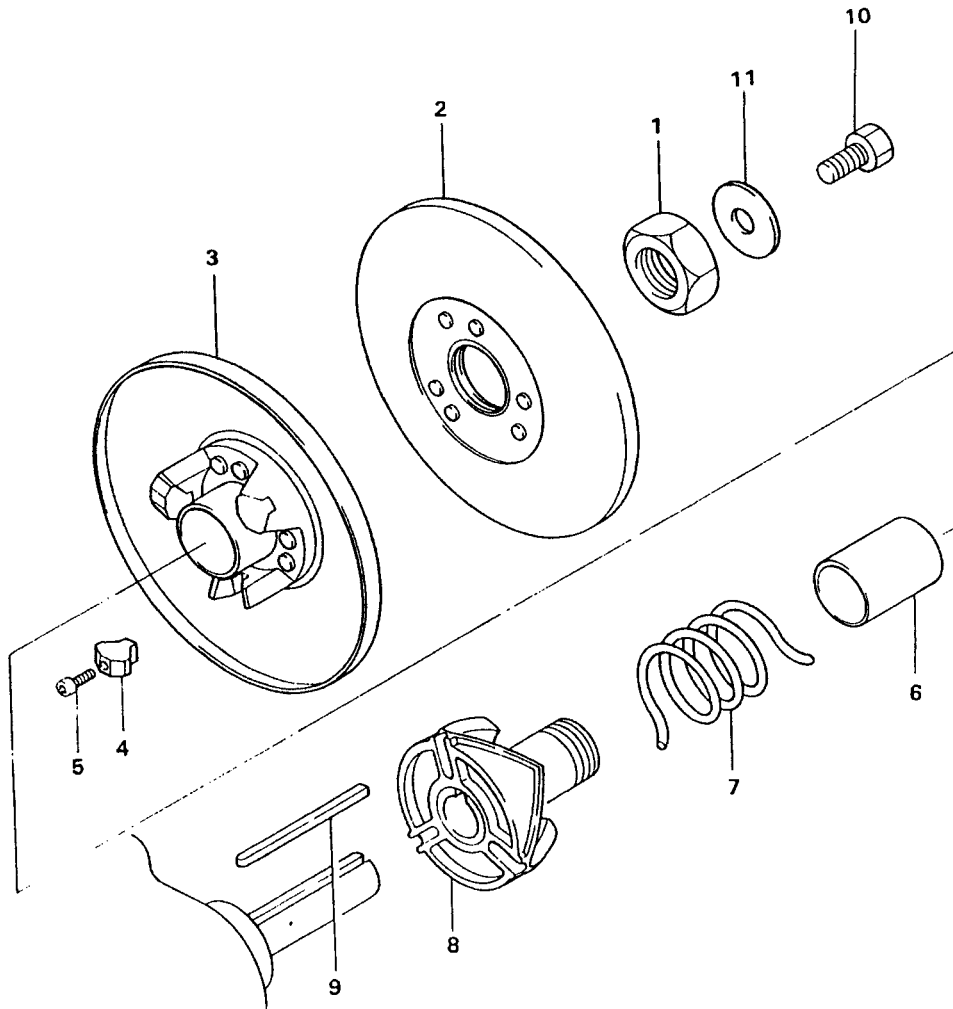
2-04 C.V.T. (DRIVE)



2-04 C.V.T (DRIVE)

NO	PART NAME	PART NO	Q'TY	REMARK
4 ~ 15	Drive Clutch Ass'y	GG1-204020	1	
1	CVT Bolt, Drive	1NM-664162	1	M10, L = 140
2	Washer, Spring	4BH-003110	1	M12
3	Safety Cap	GG1-204540	1	
4	Movable Face Ass'y	GG1-204490	1	
5	Ring, Screw Lock	GG1-204420	1	
6	Ring, Retaining	GG1-204430	1	
7	Release Spring Kit	GG1-204500	3	
8	Plate, Ramp	GG1-204440	1	
9	Spider	GG1-204450	1	
10	Spring, Conical	GG1-204460	3	
11	Seat, Conical Spring Ass'y	GG1-204520	3	
12	Sheave, Starter Pulley	GG1-204470	1	
13	Bolt, Hex	1ZW-200020	3	5/16-18 x 5/8
14	Roller Arm Ass'y Kit	GG1-204510	3	
15	Fixed Face and Hub Ass'y	GG1-204480	1	
16	CVT Belt	GG1-204150	1	
17	V-Belt, S/G	GG1-204160	1	

2-04 C.V.T (DRIVEN)



2-04 C.V.T (DRIVEN)

NO	PART NAME	PART NO	Q'TY	REMARK
1 - 8	Driven Clutch Ass'y	GG1-204030	1	
1	Nut, Hex-Left Hand Threads	GG1-204710	1	
2	Fixed Face Ass'y	GG1-204720	1	
3	Movable Face Ass'y	GG1-204730	1	Includes # 4,5,6
4	Cam Button Kit	GG1-204740	3	
5	Screw, Socket Head Cap	GG1-204750	3	8-32 x 3/4
6	Bushing	GG1-204760	1	
7	Spring	GG1-204770	1	
8	Cam and Hub Ass'y	GG1-204780	1	
9	Key	GG1-204790	1	
10	Bolt, Driven	1XN-163102	1	M12, L = 30
11	Washer , Plane	4AH-280112	1	M12