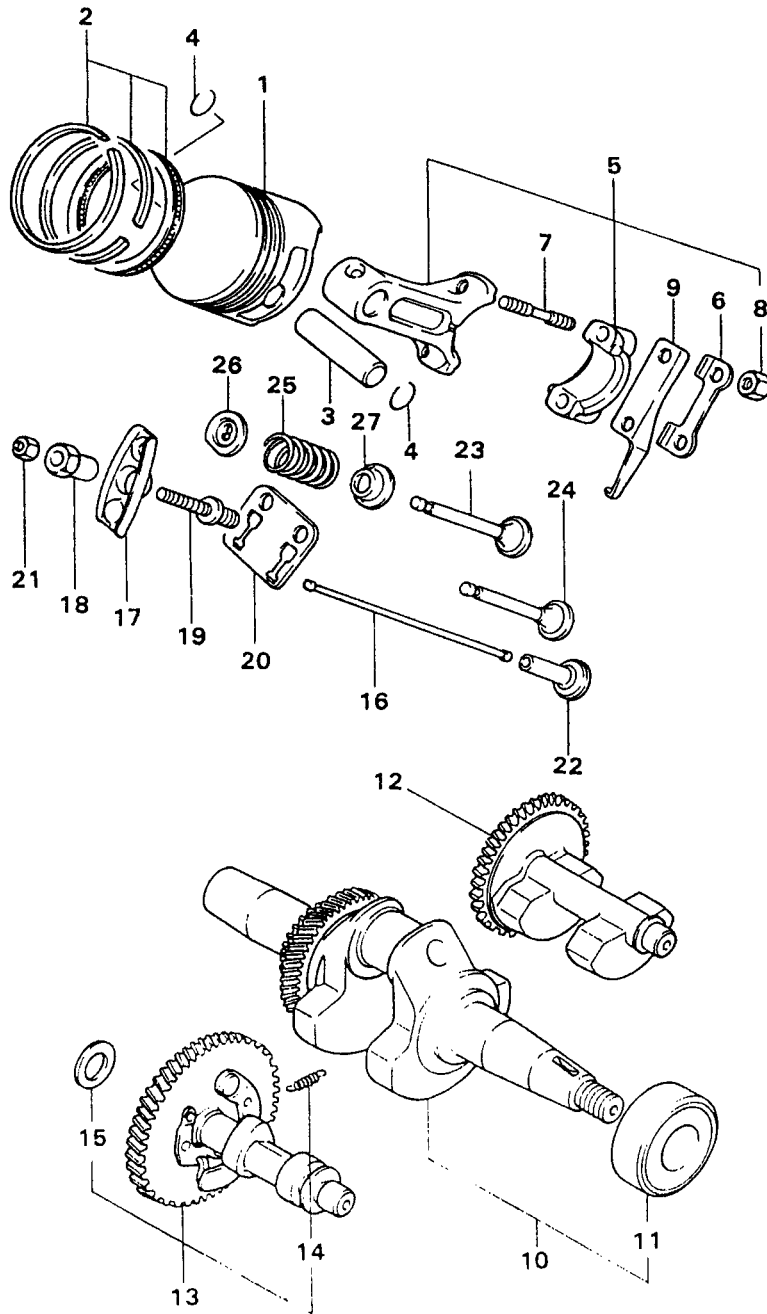


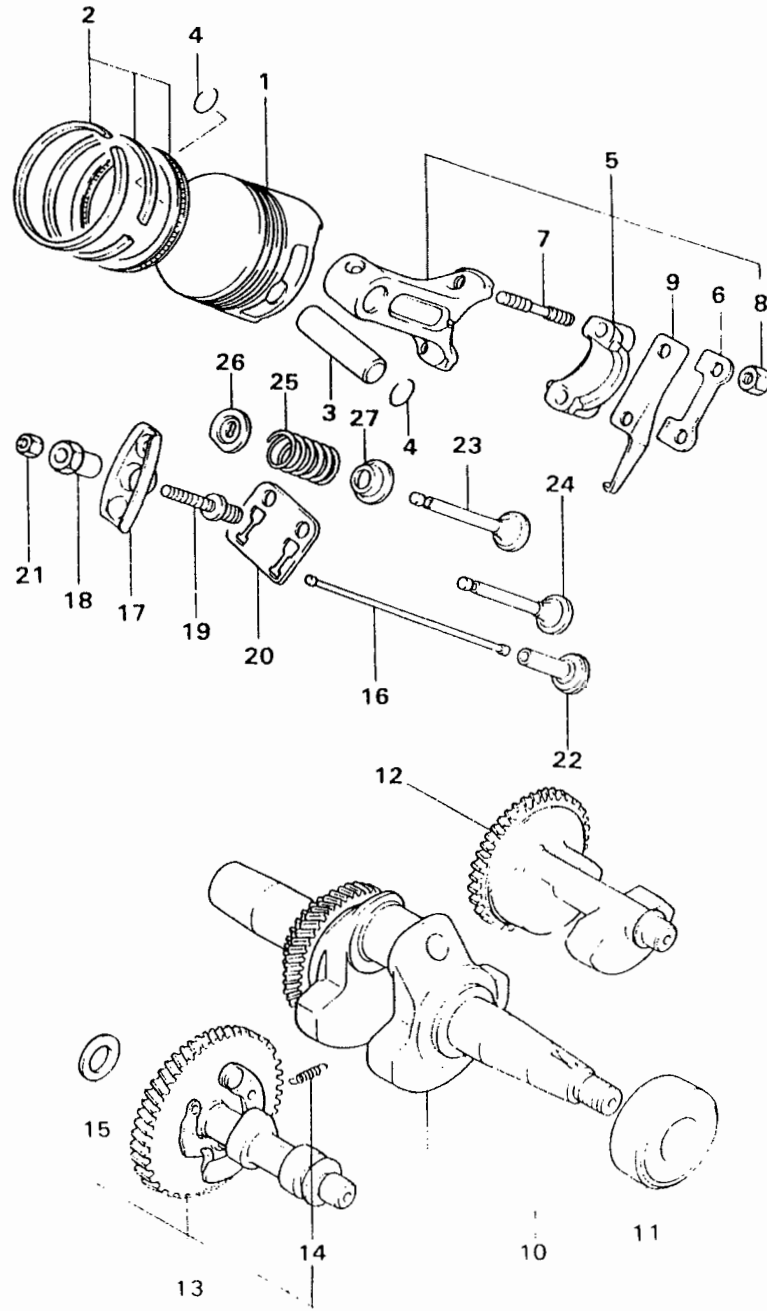
1-12 CRANKSHAFT



1-12 CRANKSHAFT

NO	PART NAME	PART NO	Q'TY	REMARK
1-1	Piston	GG1-112010	1	
1-2	Piston (OS:0.25)	GG1-112020	1	OPT
1-3	Piston (OS:0.50)	GG1-112030	1	OPT
2-1	Ring Set, Piston	GG1-112040	1	
2-2	Ring Set, Piston (OS:0.25)	GG1-112050	1	OPT
2-3	Ring Set, Piston (OS:0.5)	GG1-112060	1	OPT
3	Pin, Piston	GG1-112070	1	
4	Ring, Piston Pin	GG1-112080	2	
5	Connecting Rod Ass'y	GG1-112090	1	Includes #6, 7, 8, 9
6	Plate, Lock	GG1-112100	1	
7	Bolt, Connecting Rod Stud	1EW-000010	2	M8
8	Nut, Connecting Rod	2AW-000010	2	M8
9	Plate, Splasher	GG1-112110	1	
10	Crankshaft Ass'y	GG1-112000	1	Includes # 11
11	Bearing, Crankshaft	86W-000030	1	
12	Gear, Balancer Driven	GG1-112120	1	
13	Camshaft	GG1-112130	1	Includes #14, 15
14	Spring, Decomp	GG1-112140	1	
15	Washer, Camshaft Thrust	4AW-000010	1	
16	Rod, Push	GG1-112150	2	L:150
17	Arm, Rocker	GG1-112160	2	
18	Pivot	GG1-112170	2	
19	Bolt, Pivot Stud	GG1-112180	2	M8
20	Guide, Push Rod	GG1-112190	1	
21	Nut, Pivot Lock	2AW-000020	2	M8

1-12 CRANKSHAFT



1-12 CRANKSHAFT

NO	PART NAME	PART NO	Q'TY	REMARK
22	Tappet	GG1-112200	2	
23	Valve, Intake	GG1-112210	1	OD:27
24	Valve, Exhaust	GG1-112220	1	OD:23
25	Spring, Valve	GG1-112230	2	
26	Retainer, Valve Spring	GG1-112240	2	
27	Guide, Spring	GG1-112250	2	