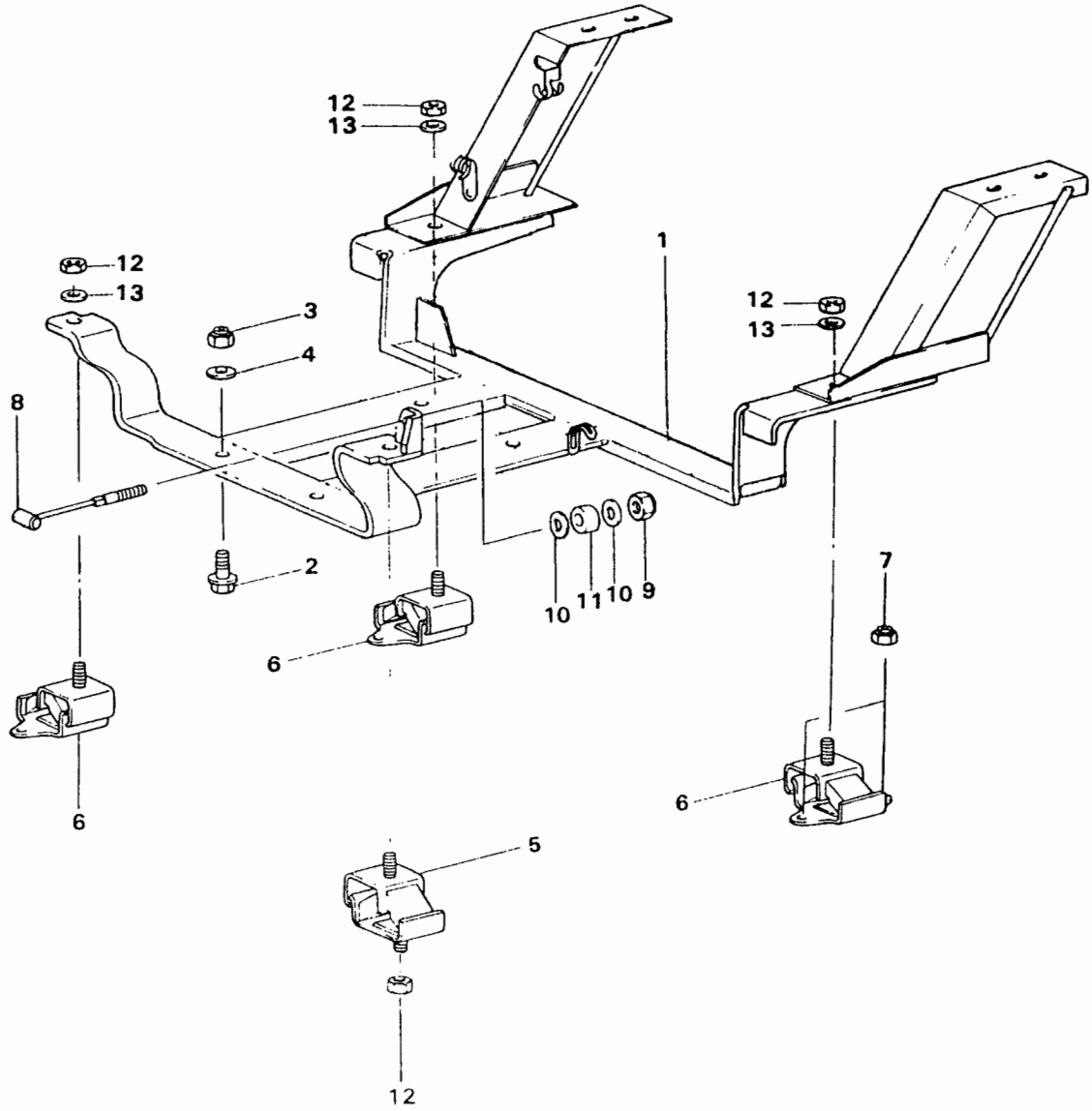


# 1-06 ENGINE MOUNTING ASSY



**1-06 ENGINE MOUNTING ASSY**

NO	PART NAME	PART NO	Q'TY	REMARK
1	Engine Mounting (A)	GG1-106121	1	
2	Bolt, Flange	1XM-274150	4	M10, L = 50
3	Nut, Flange	2XM-113122	4	M10
4	Washer, Plane	4AG-000110	4	M10
5	Engine Damper (F)	GG1-106510	1	
6	Engine Damper (R)	GG1-106520	3	
7	Nut, Lock	2HL-003120	6	M8
8 ~ 11	Tension Cable Ass'y	GG1-106600	1	
8	Tension Cable		1	
9	Nut, Lock	2HJ-002110	1	M6
10	Washer, Plane	4AE-180112	2	M6
11	Damper Washer, Rubber	4AE-187012	1	
12	Nut, Flange	2XM-113122	5	M10
13	Washer, Plane	4AG-000110	4	M10