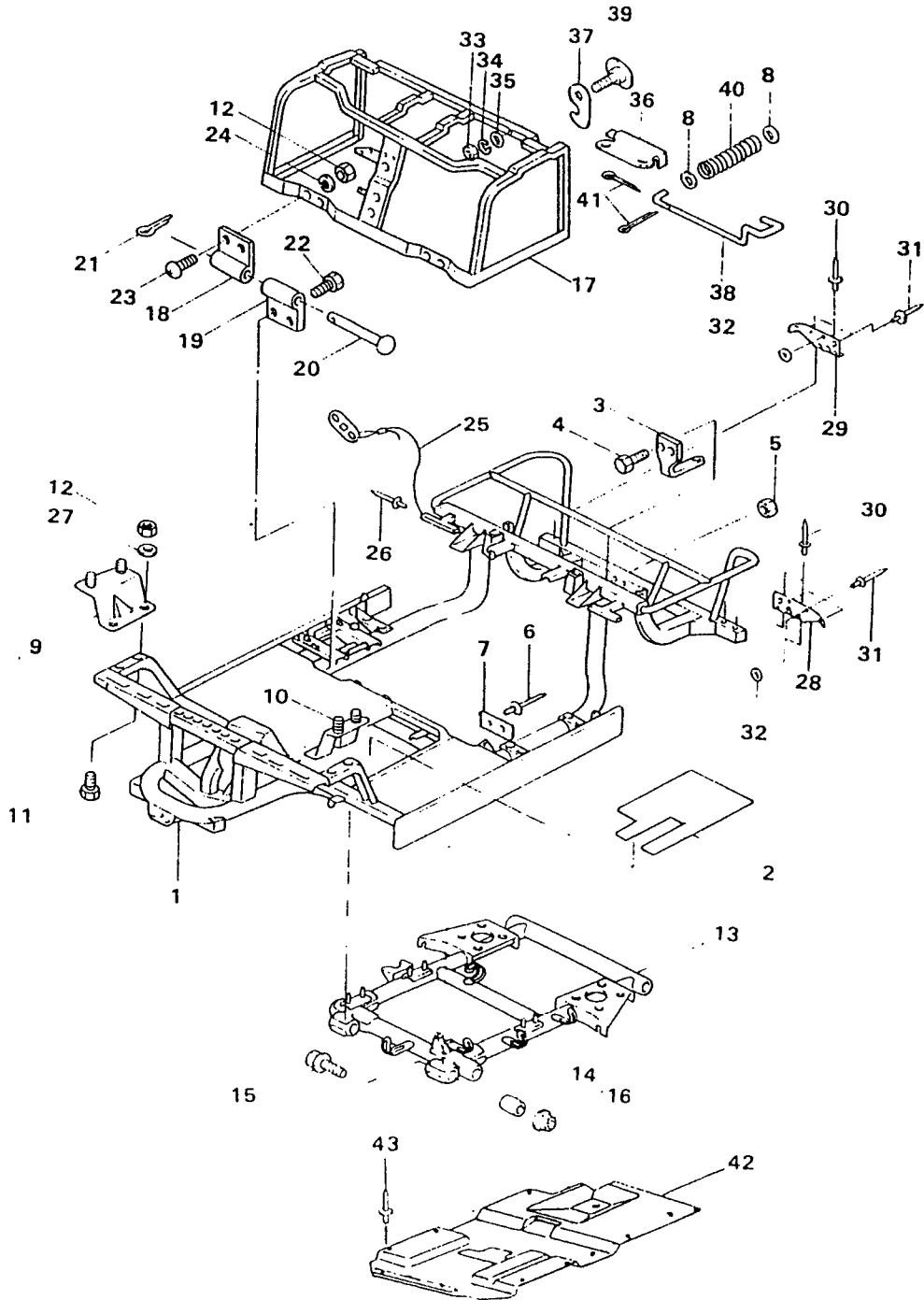


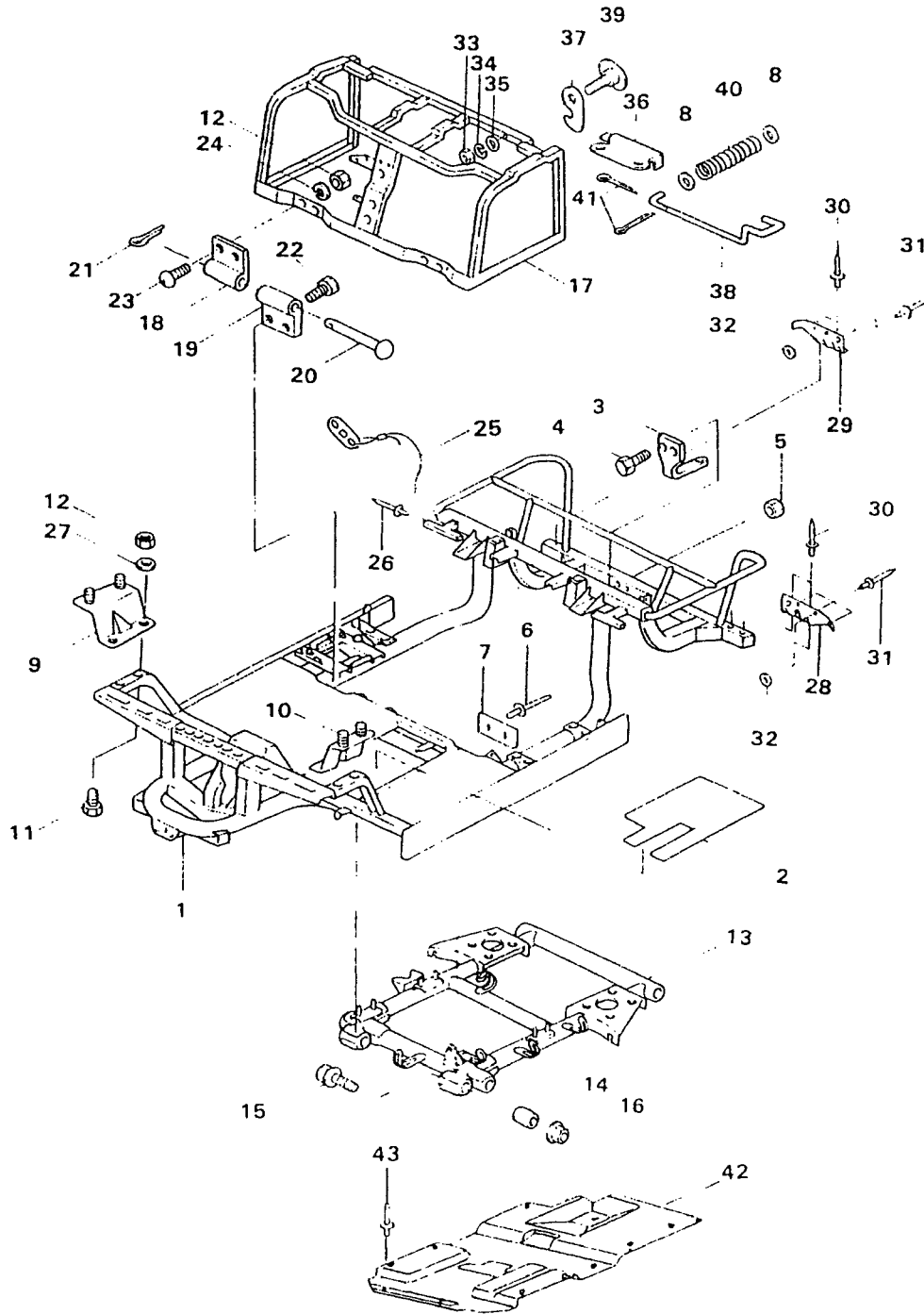
7. FRAME



7.FRAME

NO	PART NAME	PART NO	Q'TY	REMARK
1	General Main Frame Ass'y	GG1-700000	1	
2	Panel	GC1-708020	1	
3	Towing Bracket	GC1-701360	1	
4	Bolt	1LL-274130	2	M8, L = 50
5	Nut	2HL-003120	2	M8
6	Rivet, Blind	5AJ-196000	2	
7	Manufacture No. Plate	GG1-606061	1	
8	Washer, Plane	4AE-000110	2	M6
9	Front Cowl Lower Bracket (R/H)	GC1-707231	1	
10	Front Cowl Lower Bracket (L/H)	GC1-707230	1	
11	Bolt	1AJ-102100	4	M6, L = 16
12	Nut	2AJ-002120	4	M6
13	Engine Frame Ass'y	GG1-703020	1	Includes #14
14	Motor Bush	GC1-703120	2	
15	Bolt, Flange	1XM-564140	2	M10, L = 105
16	Nut	2XM-113122	2	M10
17	Seat Frame Ass'y	GG1-702010	1	
18 ~ 21	Seat Hinge Ass'y	GC1-702070	1	
18	Seat Hinge #1		2	
19	Seat Hinge #2		2	
20	Pin		2	
21	Pin, Split	6FF-110100	2	
22	Bolt, Clear	1AJ-142182	4	M6, L = 25
23	Screw, Plate	3AL-372100	4	M6 L = 20
24	Washer, Spring	4BE-003110	4	M6

7. FRAME



7.FRAME

NO	PART NAME	PART NO	Q'TY	REMARK
25	Seat Wire	GC1-702131	1	
26	Rivet ,Blind	5AJ-195000	2	$\phi 4.0$ L = 11
27	Washer ,Plane	4AE-000110	4	M6
28	Fender Corner Support (L/H)	GC1-603211	1	
29	Fender Corner Support (R/H)	GC1-603221	1	
30	Rivet ,Blind	5AJ-256300	4	$\phi 4.8$ L = 14 AL
31	Rivet ,Blind	5AJ-256300	4	$\phi 4.8$ L = 14, AL
32	Washer ,Plane	4AD-140112	4	M5
33 ~ 41	Seat Latch Ass'y	GC1-706000	1	
33	Nut	2AJ-002120	1	M6
34	Washer ,Spring	4BE-003110	1	M6
35	Washer ,Plane	4AE-000110	1	M6
36	Latch Bracket		1	
37	Latch Plate	GC1-706010	1	
38	Latch Handle		1	
39	Latch Bolt		1	
40	Latch Spring		1	
41	Pin , Split	6FF-110100	2	
42	Engine Protector	GG1-703261	1	
43	Rivet	5AJ-195000	10	$\phi 4.8$ L = 11