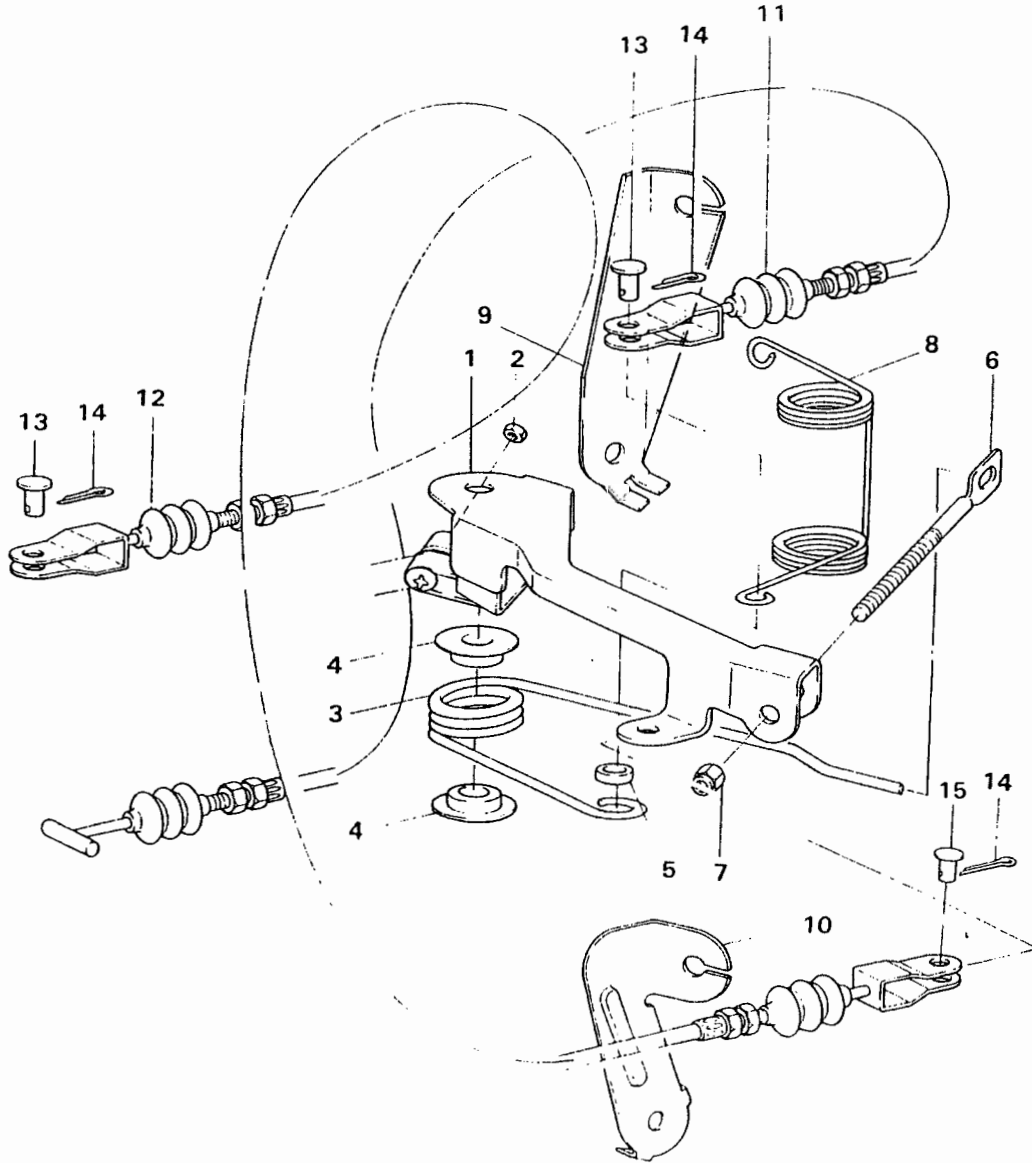


2-03 GOVERNOR

NO	PART NAME	PART NO	Q'TY	REMARK
1	Governor Lever (A)	GG1-203963	1	#A004331 and Above
2	Nut, Lock	2HJ-002110	1	M6
3	Torsion Spring (A)	GG1-203969	1	
4	Bush	GG1-203972	2	
5	Bush	GG1-203974	1	
6	Bolt	1AJ-482100	1	M6, L = 80, S = 75
7	Nut, Lock	2HJ-002110	1	M6
8	Return Spring, Accelerator Cable (A)	GG1-203987	1	
9	Bracket, Accelerator Cable (A)	GG1-203921	1	
10	Bracket, Throttle Cable (A)	GG1-203951	1	
11	Accelerator Cable (A)	GG1-203032	1	
12	Throttle Cable (A)	GG1-203052	1	
13	Pin	6CJ-061100	2	$\phi 5$, L = 10
14	Pin, Clip	6HB-070100	3	
15	Pin	6CJ-081100	1	$\phi 5$, L = 13
16	Bush	GG1-203965	1	
17	Nut	2AJ-002120	1	M6
18	Washer, Plane	4AE-000110	1	M6
19	Bolt	1NM-082181	1	3/8-16 UNC

2-03 GOVERNOR

OLD-TYPE
Up to #A004330



2-03 GOVERNOR

NO	PART NAME	PART NO	Q'TY	REMARK
1	Governor Lever (Old-Type)	GG1-203962	1	Up to #A004330
2	Nut, Lock	2HJ-002110	1	M6
3	Torsion Spring	GG1-203968	1	
4	Bush	GG1-203972	2	
5	Bush	GG1-203974	1	
6	Screw	GG1-203970	1	
7	Nut, Lock	2HJ-002110	1	M6
8	Return Spring, Accelerator Cable (Old)	GG1-203986	1	
9	Bracket, Accelerator Cable (Old)	GG1-203920	1	
10	Bracket, Throttle Cable (Old)	GG1-203950	1	
11	Accelerator Cable (Old-Type)	GG1-203031	1	
12	Throttle Cable (Old-Type)	GG1-203051	1	
13	Pin	6CJ-061100	2	$\phi 5$, L = 10
14	Pin, Clip	6HB-070100	3	
15	Pin	6CJ-081100	1	$\phi 5$, L = 13