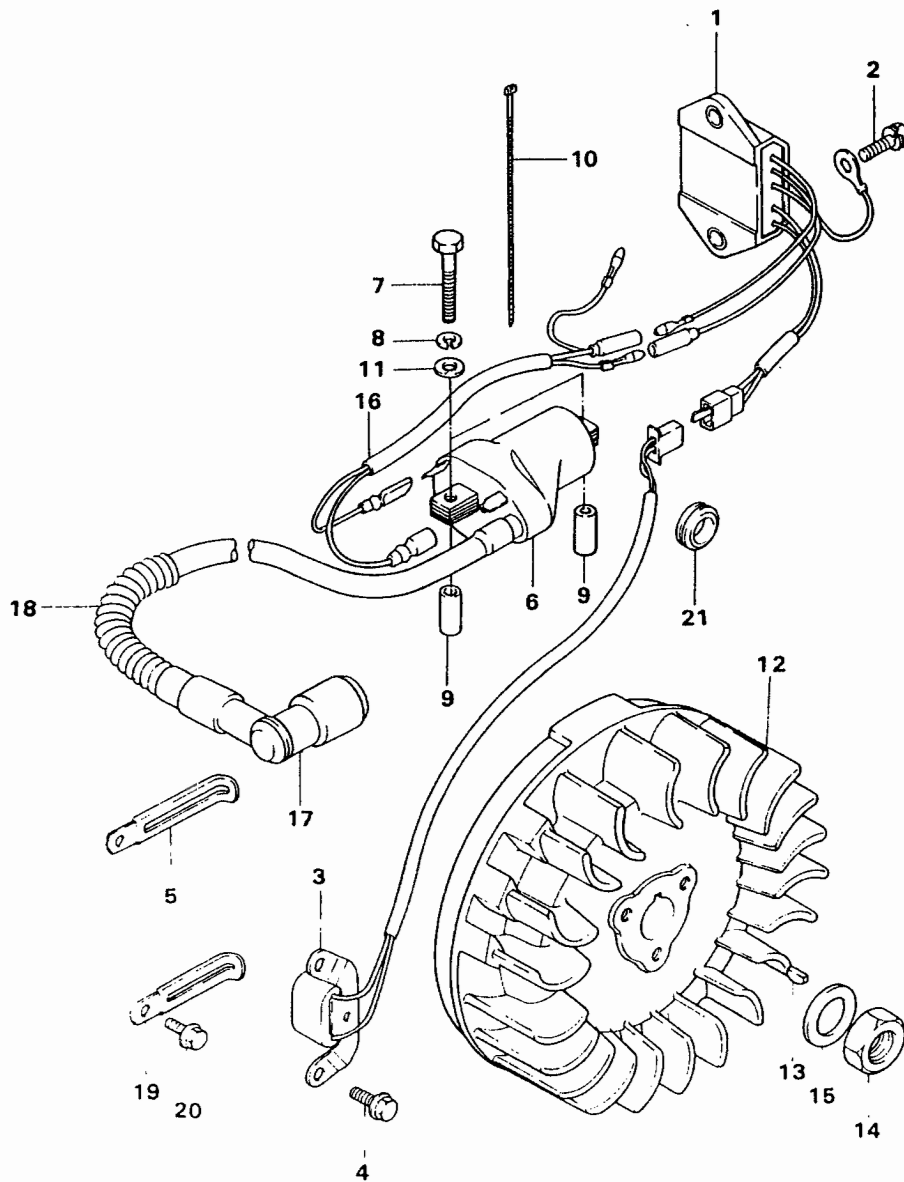


1-19 IGNITION SYSTEM



1-19 IGNITION SYSTEM

NO	PART NAME	PART NO	Q'TY	REMARK
1	Battery Igniter, Unit	GG1-119010	1	
2	Bolt, Igniter Unit	1AW-000010	2	M6, L = 15
3	Coil, Ignition Timing	GG1-119020	1	
4	Bolt, Ignition Timing Coil	1LW-000170	2	M6, L = 15
5	Clamp, Ignition Timing Coil	GG1-119030	1	
6	Coil, Ignition	GG1-119040	1	
7	Bolt, Ignition Coil	1AW-000020	2	M6, L = 40, S = 20
8	Washer, Ignition Coil Lock	4BW-000150	2	M6
9	Spacer, Ignition Coil	GG1-119050	2	
10	Wire Band, Ignition Coil	900-007000	1	
11	Washer, Ignition Coil	4AW-000150	2	M6
12	Flywheel	GG1-119070	1	
13	Key, Woodruff	GG1-119140	1	
14	Nut, Flywheel	2AW-000050	1	M16
15	Washer, Flywheel	4AW-000160	1	M16
16	Harness, Ignition	GG1-119080	1	
17	Cap Assy, Spark Plug	GG1-119120	1	Includes Rubber Tube
18	Tube, Hightension	GG1-119060	1	Includes Corrugate
19	Clamp, Coil Lead	GG1-119100	1	
20	Bolt, Clamp Coil Lead	1LW-000310	1	M5, L = 10
21	Grommet	GG1-119130	1	