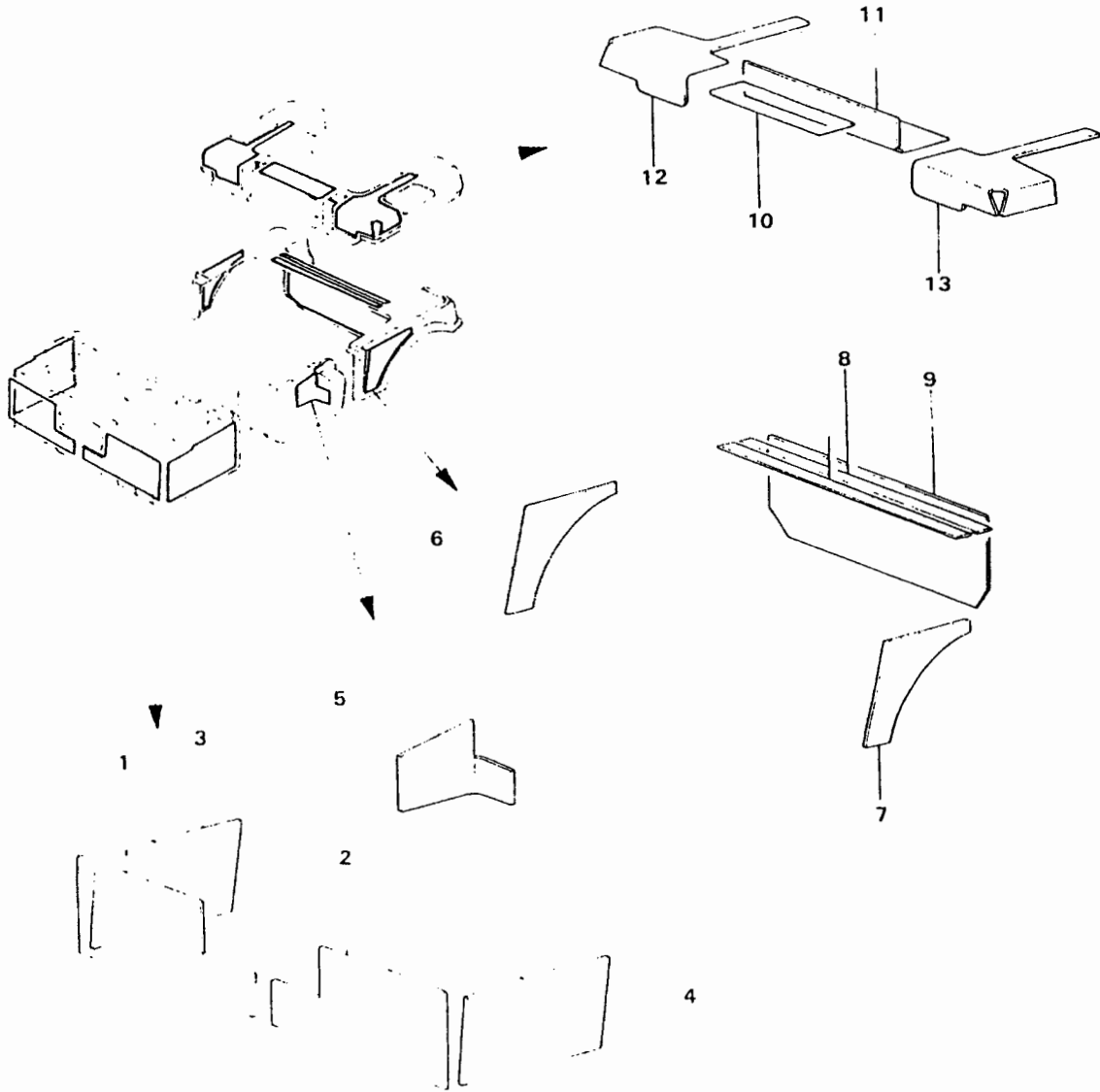


6-07 INSULATION

6-07 INSULATION



6-07 INSULATION

NO	PART NAME	PART NO	Q'TY	REMARK
1	Insulation, Seat Cowl 2 (R/H)	GG1-607090	1	
2	Insulation, Seat Cowl 2 (L/H)	GG1-607091	1	
3	Insulation, Seat Cowl 1 (R/H)	GG1-607080	1	
4	Insulation, Seat Cowl 1 (L/H)	GG1-607081	1	
5	Insulation, Fuel Tank	GG1-607120	1	
6	Insulation, R/R Lower Cowl 1 (R/H)	GG1-607010	1	
7	Insulation, R/R Lower Cowl 1 (L/H)	GG1-607011	1	
8	Insulation, R/R Lower Cowl 3	GG1-607030	1	
9	Insulation, R/R Lower Cowl 2	GG1-607020	1	
10	Insulation, R/R Upper Cowl 2	GG1-607060	1	
11	Insulation, R/R Upper Cowl 3	GG1-607070	1	
12	Insulation, Upper Cowl (R/H)	GG1-607050	1	
13	Insulation, Upper Cowl (L/H)	GG1-607051	1	