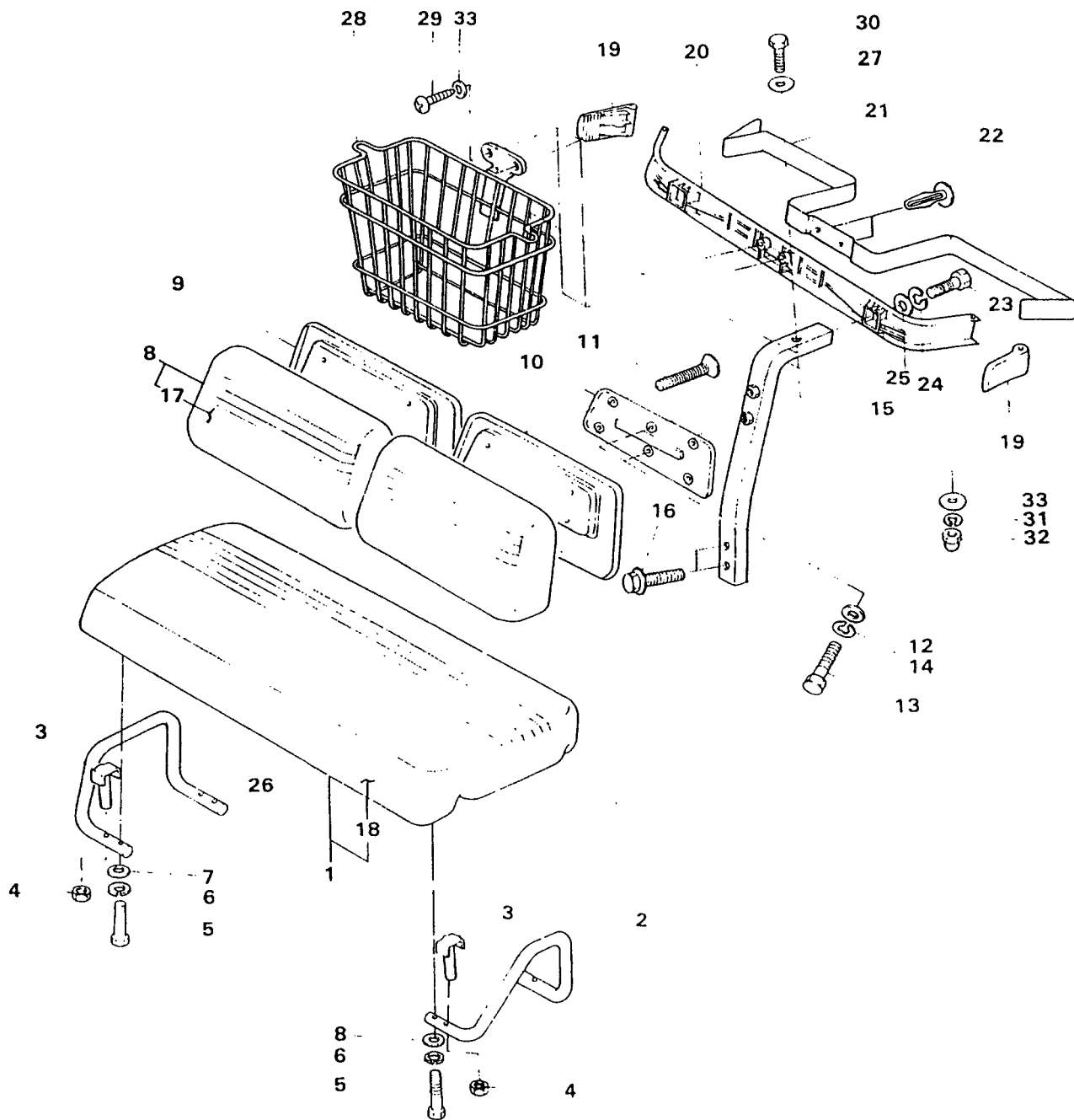


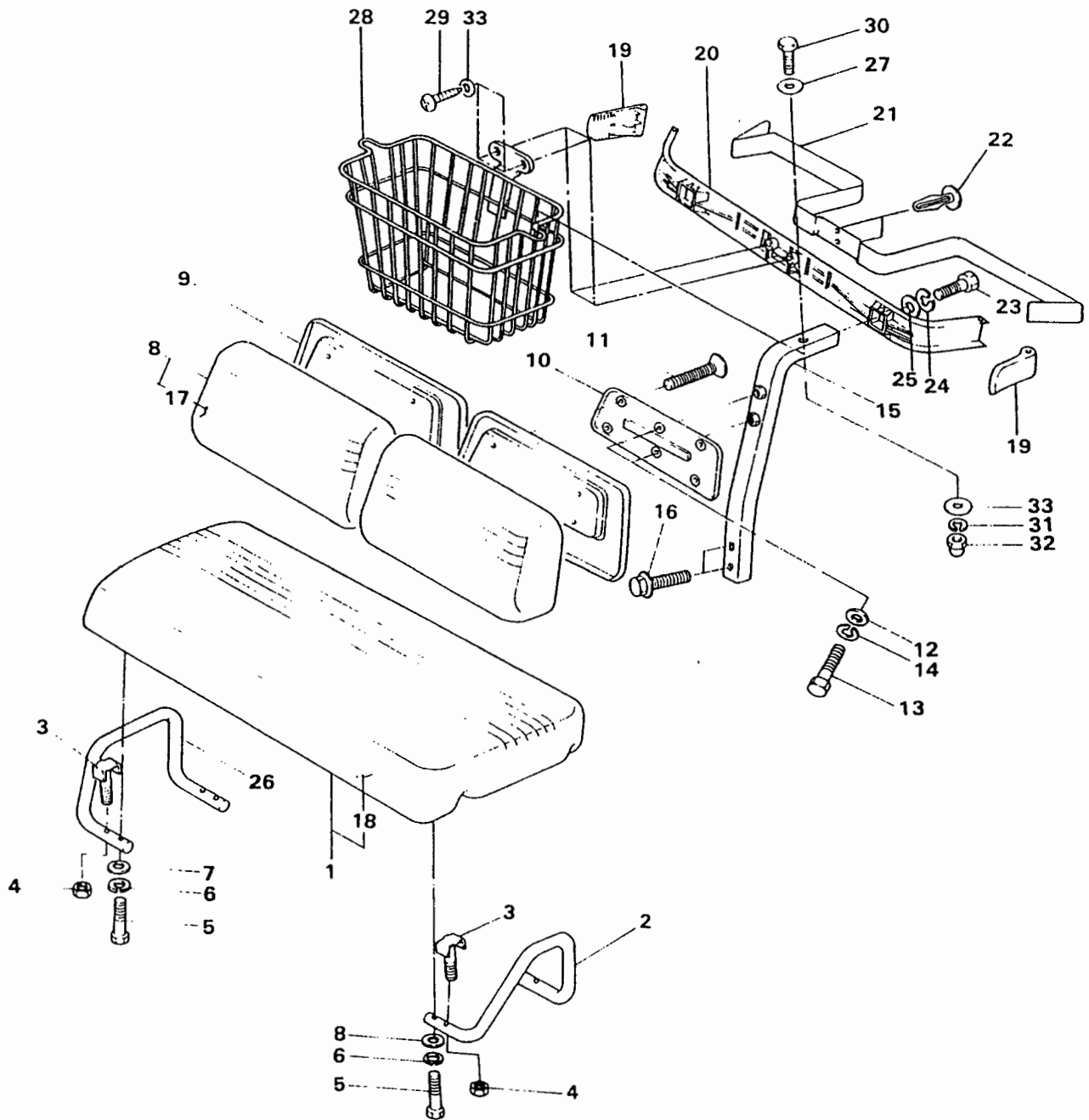
### 6-04 SEAT



### 6-04 SEAT

NO	PART NAME	PART NO	Q'TY	REMARK
1	Seat Cushion Ass'y	GC1-604010	1	
2	Seat Handle (L/H)	GC1-703060	1	
3	Bolt, Handle	1AL-272102	4	M8, L = 50
4	Nut	2HL-003120	4	M8
5	Bolt	1AL-332140	4	M8, L = 60
6	Washer, Spring	4BF-003110	4	M8
7	Washer, Plane	4AF-000110	4	M8
8	Back Seat Ass'y	GC1-604050	2	
9	Back Seat Cover	GC1-604060	2	
10	Steel Pan, Back Seat	GC1-704080	2	
11	Screw, Plate	3AL-532300	8	M6, L = 35
12	Washer, Plane	4AG-000110	8	M10
13	Bolt	1ZM-123100	4	M10, L = 20
14	Washer, Spring	4BG-003110	4	M10
15	Back Seat Post (A)	GC1-704002	2	
16	Bolt	1XM-274450	4	M10, L = 50,
17	Back Seat Leather	GC1-604150	2	
18	Seat Cushion Leather	GC1-604110	1	
19 ~ 22	Back Holder Ass'y	GC1-603340	1	
19	Bag Holder Lock	GC1-603320	2	
20	Bag Holder Support	GC1-603310	1	
21	Bag Holder Band	GC1-603330	1	
22	Rivet, Plastic	5BK-157300	2	
23	Bolt	1ZM-143300	2	M10, L = 25
24	Washer, Spring	4BG-003310	2	M10

### 6-04 SEAT



**6-04 SEAT**

NO	PART NAME	PART NO	Q'TY	REMARK
25	Washer ,Plane	4AG-300312	2	M10
26	Seat Handle (R/H)	GC1-703050	1	
27	Washer ,Plane	4AE-005010	2	M6
28	Basket, Sweater	GC1-603230	1	
29	Screw, Tapping	3FJ-305020	2	L = 15,
30	Screw ,Truss Head	3EL-675000	2	M6, L = 45
31	Washer, Spring	4BE-005010	2	M6
32	Cap Nut	2KJ-118220	2	M6
33	Washer ,Plane	4AE-005010	4	M6