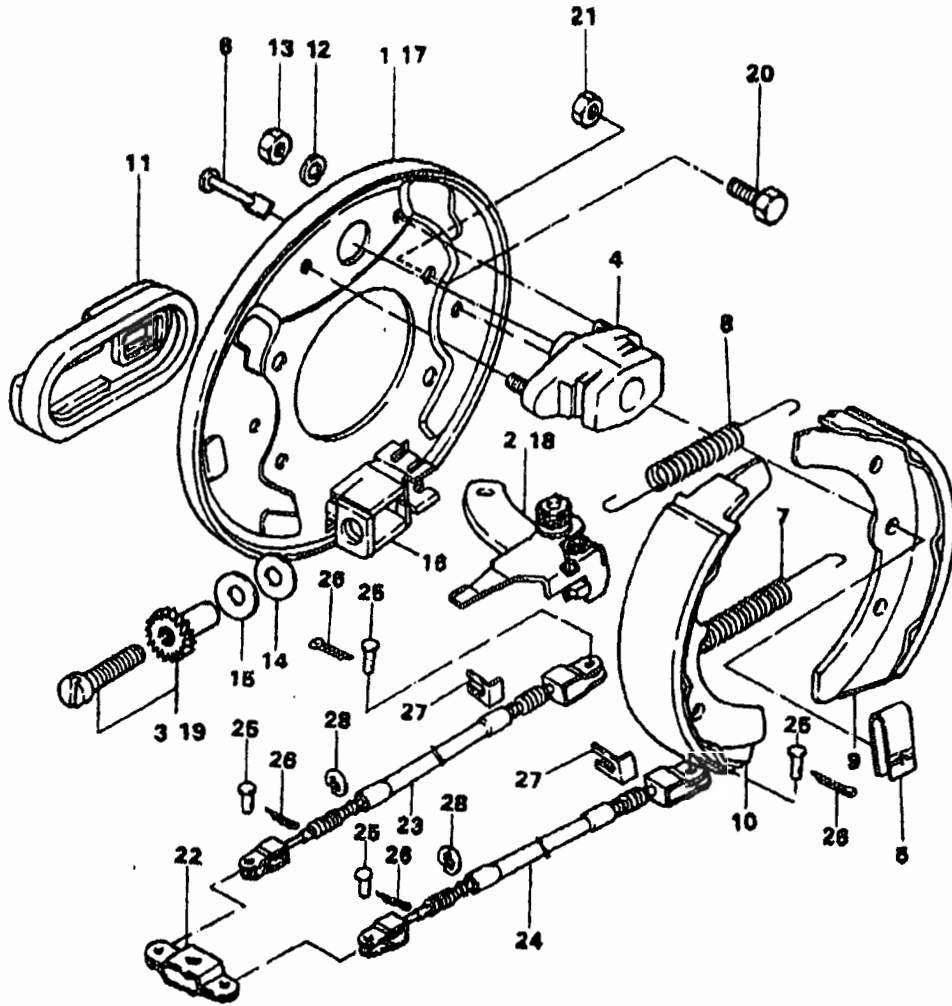




### 3-03 WHEEL BRAKE

| NO     | PART NAME                  | PART NO    | Q'TY | REMARK     |
|--------|----------------------------|------------|------|------------|
| 1 ~ 16 | Wheel Brake Ass'y (L/H)    | GC1-303510 | 1    |            |
| 4 ~ 19 | Wheel Brake Ass'y (R/H)    | GC1-303520 | 1    |            |
| 1      | Backing Plate (L/H)        | GC1-303100 | 1    |            |
| 2      | Lever Ass'y (L/H)          | GC1-303130 | 1    |            |
| 3      | Adjusting Nut & Bolt (L/H) | GC1-303303 | 1    |            |
| 4      | Anchor-Body                | GC1-303120 | 2    |            |
| 5      | Spring Shoe Clamp          | GC1-303260 | 4    |            |
| 6      | Pin Shoe Hold Down         | GC1-303270 | 4    |            |
| 7      | Tension Spring             | GC1-303290 | 2    |            |
| 8      | Spring                     | GC1-303228 | 2    |            |
| 9      | Shoe (Comp-L)              | GC1-303023 | 2    |            |
| 10     | Shoe (Comp-T)              | GC1-303024 | 2    |            |
| 11     | Dust Cover                 | GC1-303310 | 2    |            |
| 12     | Washer, Spring             | 4BE-003110 | 4    | M6         |
| 13     | Nut                        | 2AJ-002120 | 4    | M6         |
| 14     | Washer, Plate              | GC1-303320 | 2    |            |
| 15     | Washer, Thrust             | GC1-303330 | 2    |            |
| 16     | Block Comp                 | GC1-303026 | 2    |            |
| 17     | Backing Plate (R/H)        | GC1-303101 | 1    |            |
| 18     | Lever Ass'y (R/H)          | GC1-303131 | 1    |            |
| 19     | Adjusting Nut & Bolt (R/H) | GC1-303304 | 1    |            |
| 20     | Bolt                       | 1AL-123100 | 8    | M8, L = 20 |
| 21     | Nut, Lock                  | 2HL-003120 | 8    | M8         |
| 22     | Equalizer                  | GC1-303343 | 1    |            |
| 23     | Brake Cable (R/H)          | GG1-303031 | 1    |            |

### 3-03 WHEEL BRAKE



**3-03 WHEEL BRAKE**

| NO | PART NAME         | PART NO    | Q'TY | REMARK |
|----|-------------------|------------|------|--------|
| 24 | Brake Cable (L/H) | GG1-303032 | 1    |        |
| 25 | Pin               | GC1-303349 | 4    |        |
| 26 | Pin , Spllt       | 6FG-110100 | 4    |        |
| 27 | Clip, Brake       | 6KO-009102 | 2    |        |
| 28 | Clrcclip          | 7AO-100130 | 2    |        |